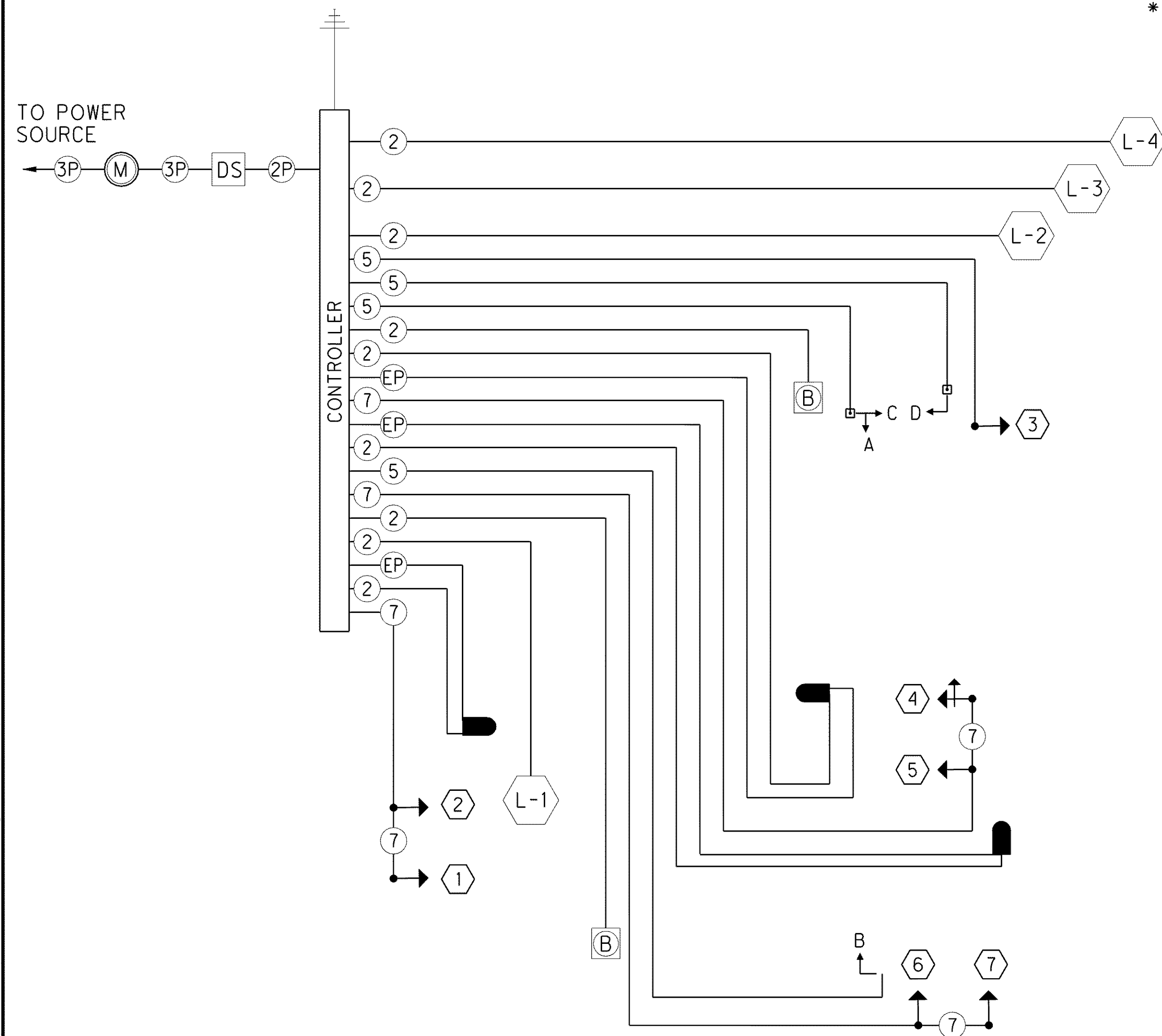


WIRING DIAGRAM LEGEND

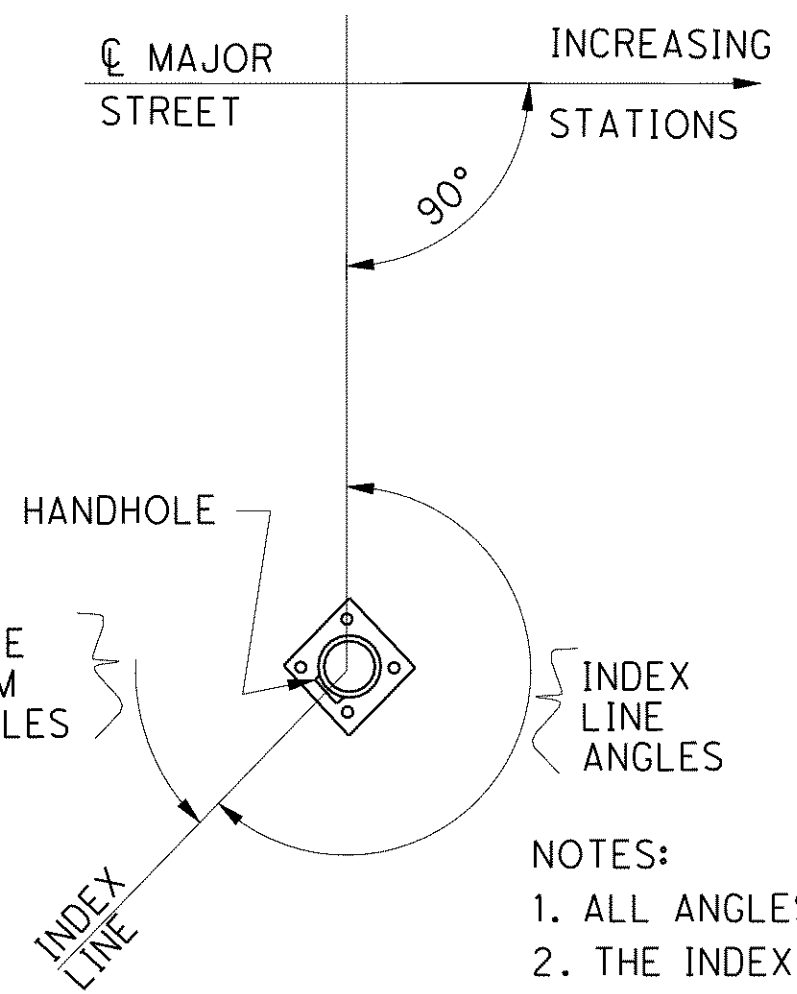
	VEHICLE LOOP DETECTOR		2/C #6 AWG. (POWER)
	DISCONNECT SWITCH		3/C #6 AWG. (POWER)
	ELECTRIC METER		2/C #14 AWG. (LEAD-IN CABLE)
	VEHICULAR SIGNAL HEAD		3/C #14 AWG.
	VEHICULAR SIGNAL HEAD W/ TURN ARROW		5/C #14 AWG.
	PEDESTRIAN SIGNAL HEAD (ONE-WAY OR TWO-WAY)		7/C #14 AWG.
	PREEMPTION RECEIVER AND CONFIRMATION LIGHT		PREEMPTION DETECTOR CABLE
	PEDESTRIAN PUSHBUTTON		

SIGNAL SUPPORT																							
SIGNAL SUPPORT TYPE TC-81.20														ELEVATION		MAST ARM A ORIENTATION ANGLE (DEGREES)	ORIENTATION ANGLES (DEG.) FROM MAST ARM A						
FROM SHEET NO.	ELEVATION VIEW	SUPPORT NO.	SUPPORT DESIGN NO.	MAST ARM DESIGN NO.	POLE HEIGHT (FT.)	MOUNTING HT.		L (FT.)	L1 (FT.)	S1 (FT.)	L2 (FT.)	S2 (FT.)	L3 (FT.)	P (FT.)	A		B	MAST ARM "B"	PEDESTRIAN SIGNAL	PEDESTRIAN PUSHBUTTON	HANDHOLE	BRACKET ARM	SIGN SUPPORT ARM
						A	B																
1177	1	P1-1	11	11	20.5	19	B	38	25		37			35	628.8	629.6	0				180		
1177	3	P1-2	4#	4#	24.5	19.5		20		15													0
	1			1	24.5	19.5		41	28	15	40			38	628.6	629.0	0		B=240		180		
								23	10	5	22			20	628.8			90					
1177	2	P1-3	1*		16.5	12									627.7						180		

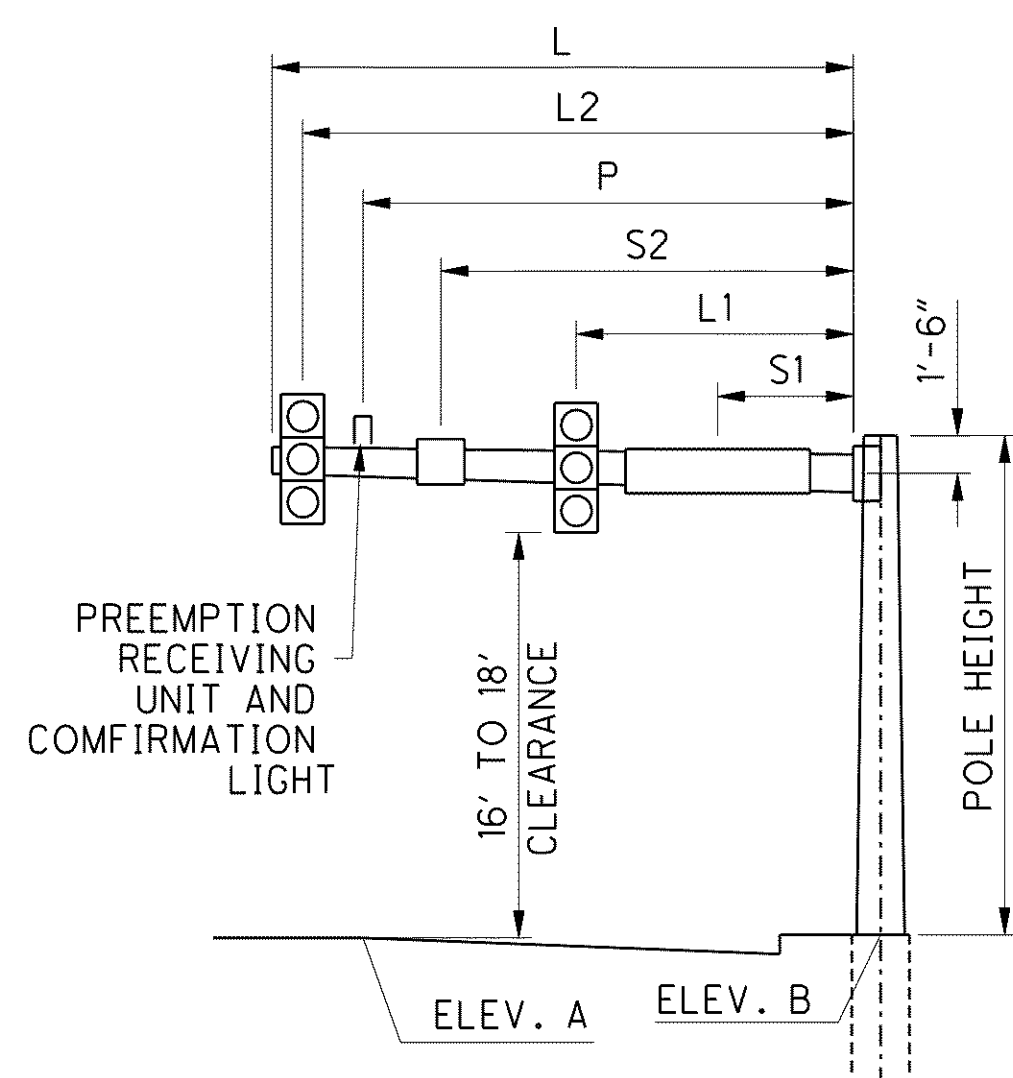
TYPE TC-12.30
* TYPE TC-81.10



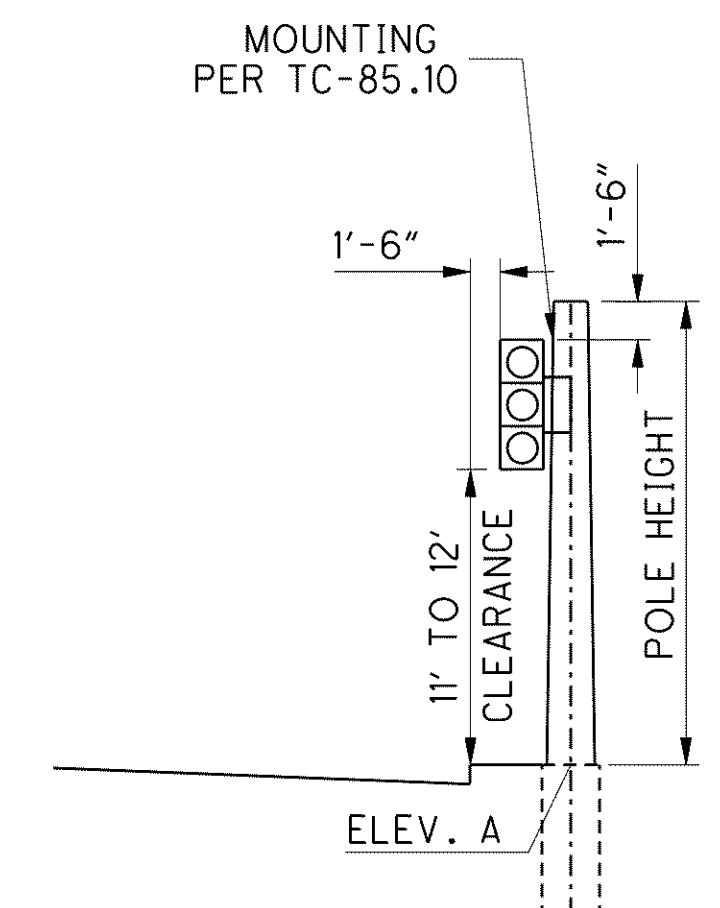
WIRING DIAGRAM



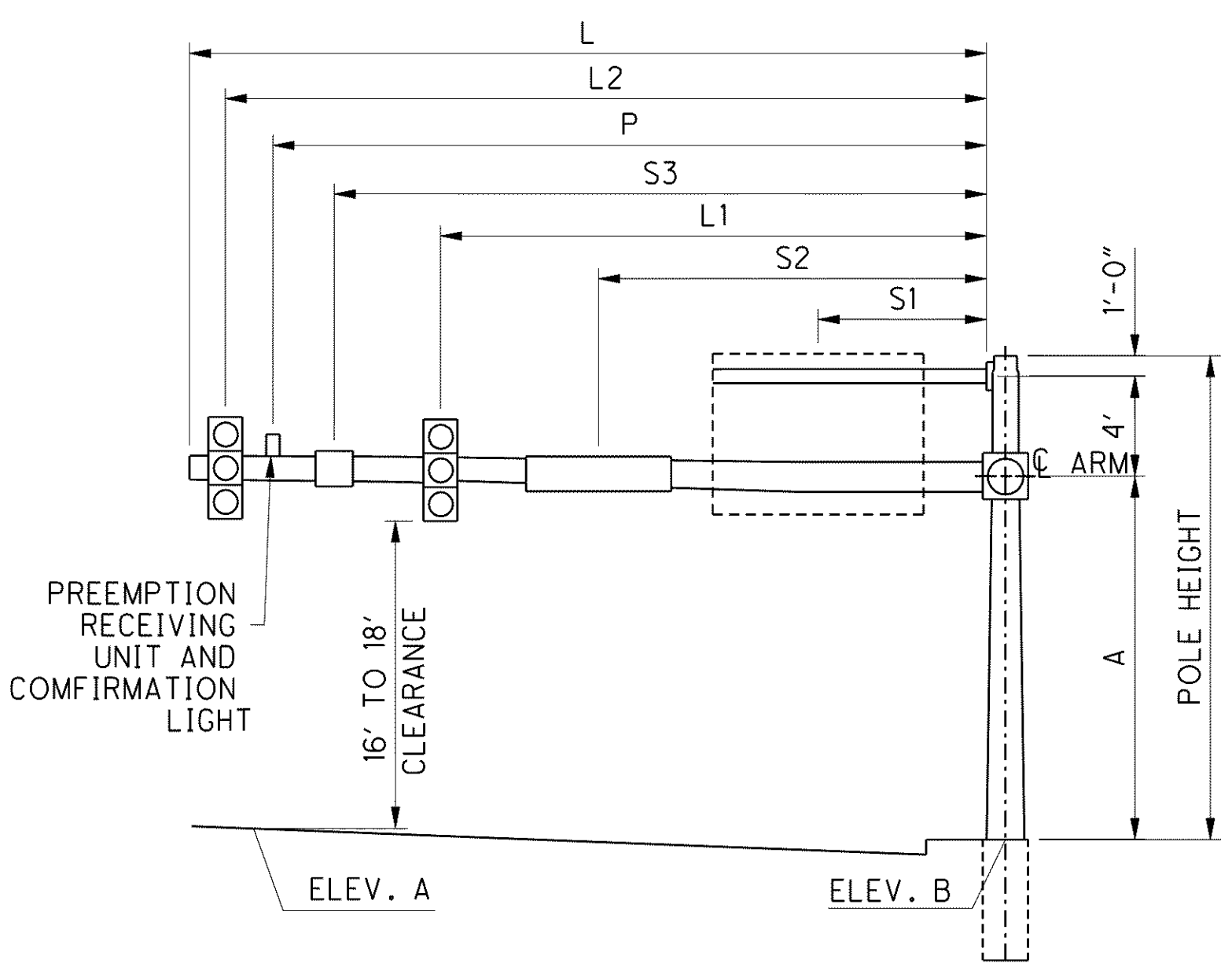
NOTES:
1. ALL ANGLES ARE MEASURED CLOCKWISE.
2. THE INDEX LINE GOES THROUGH THE CENTER OF THE HANDHOLE.



ELEVATION VIEW 1



ELEVATION VIEW 2



ELEVATION VIEW 3

PEDESTAL									
FROM SHEET NO.	POLE NUMBER	LOCATION	HEIGHT (FT.)	INDEX LINE ANGLE (DEG.) (CENTER OF HANDHOLE)	ORIENTATION ANGLES FROM INDEX LINE (DEGREES)				
					PEDESTRIAN SIGNALS	PEDESTRIAN SIGNALS	PEDESTRIAN PUSHBUTTON	PEDESTRIAN PUSHBUTTON	
		STATION	OFFSET						
1177	P1-4	122+27.5	43' LT	5	180				
1177	P1-5	122+43	52' LT	8	180	A=0	C=270		
1177	P1-6	123+63	48.5' LT	8	180	D=90			
1177	P1-7	122+46	39' RT	5	180			B=0	

g:\project\lak\13486\signals\sheets\13486CPV01B.dgn 6/23/2008 10:29:12 AM jmadaria