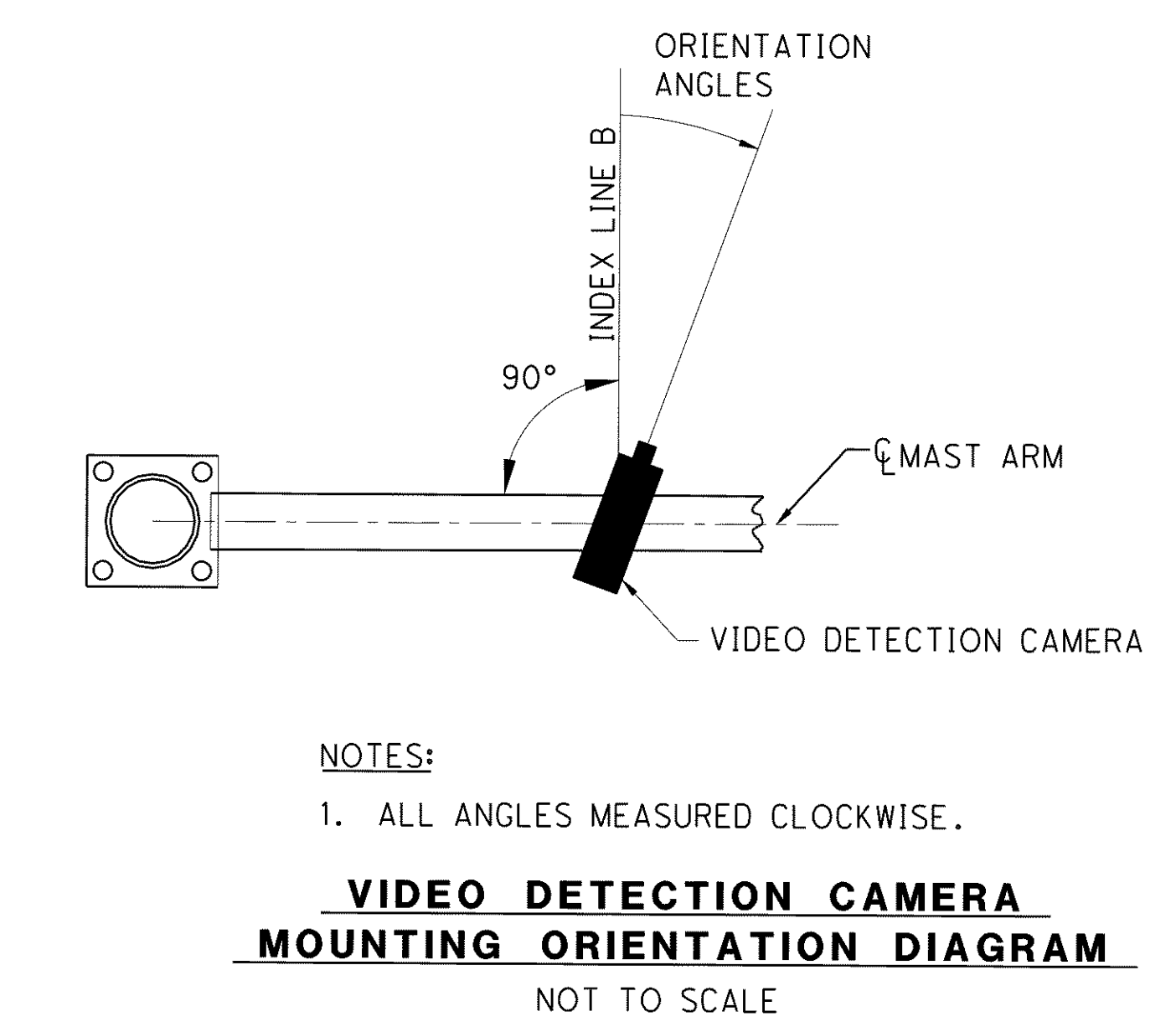
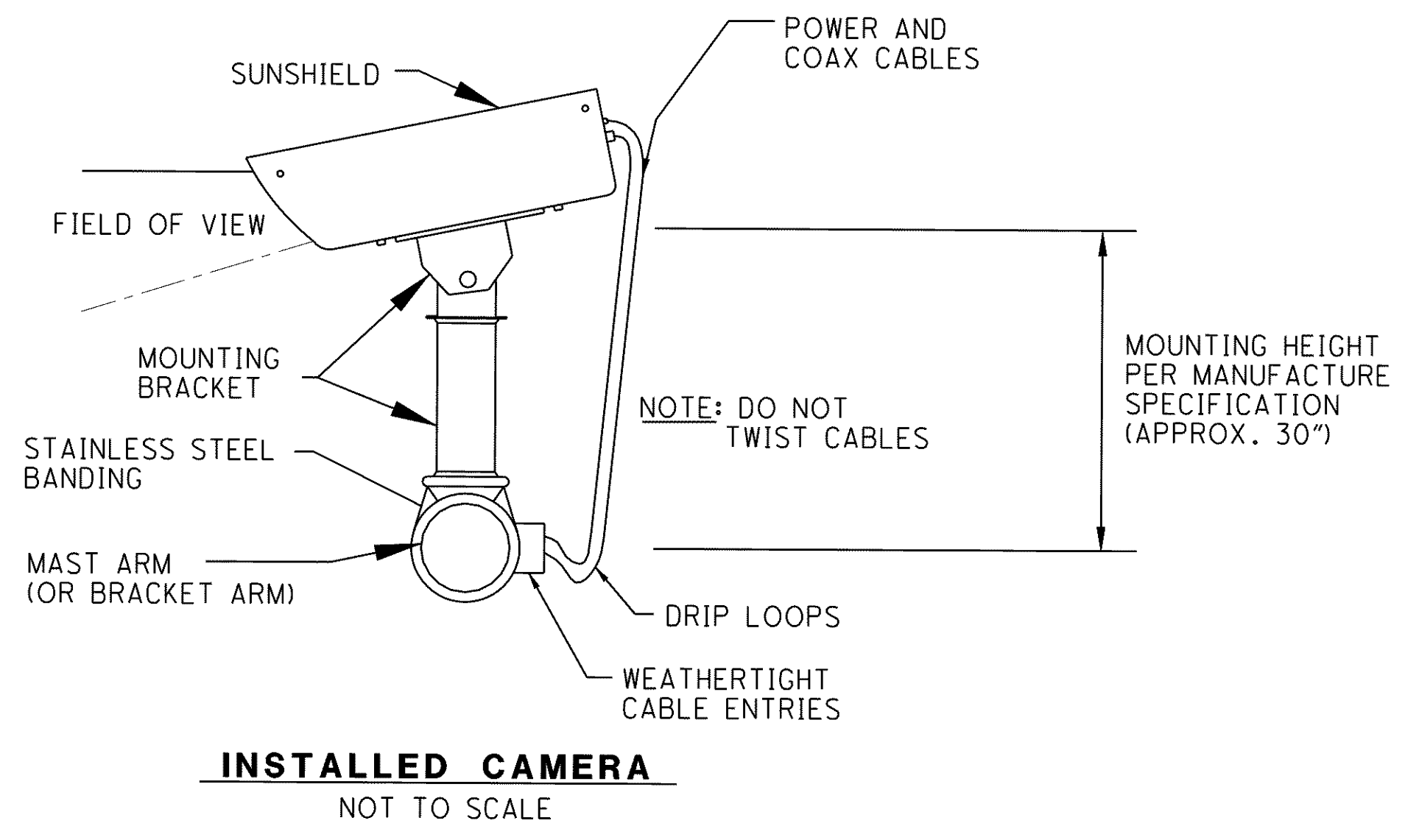


NOTES:
1. ALL ANGLES ARE MEASURED CLOCKWISE.
2. THE INDEX LINE GOES THROUGH THE CENTER OF THE HANDHOLE.

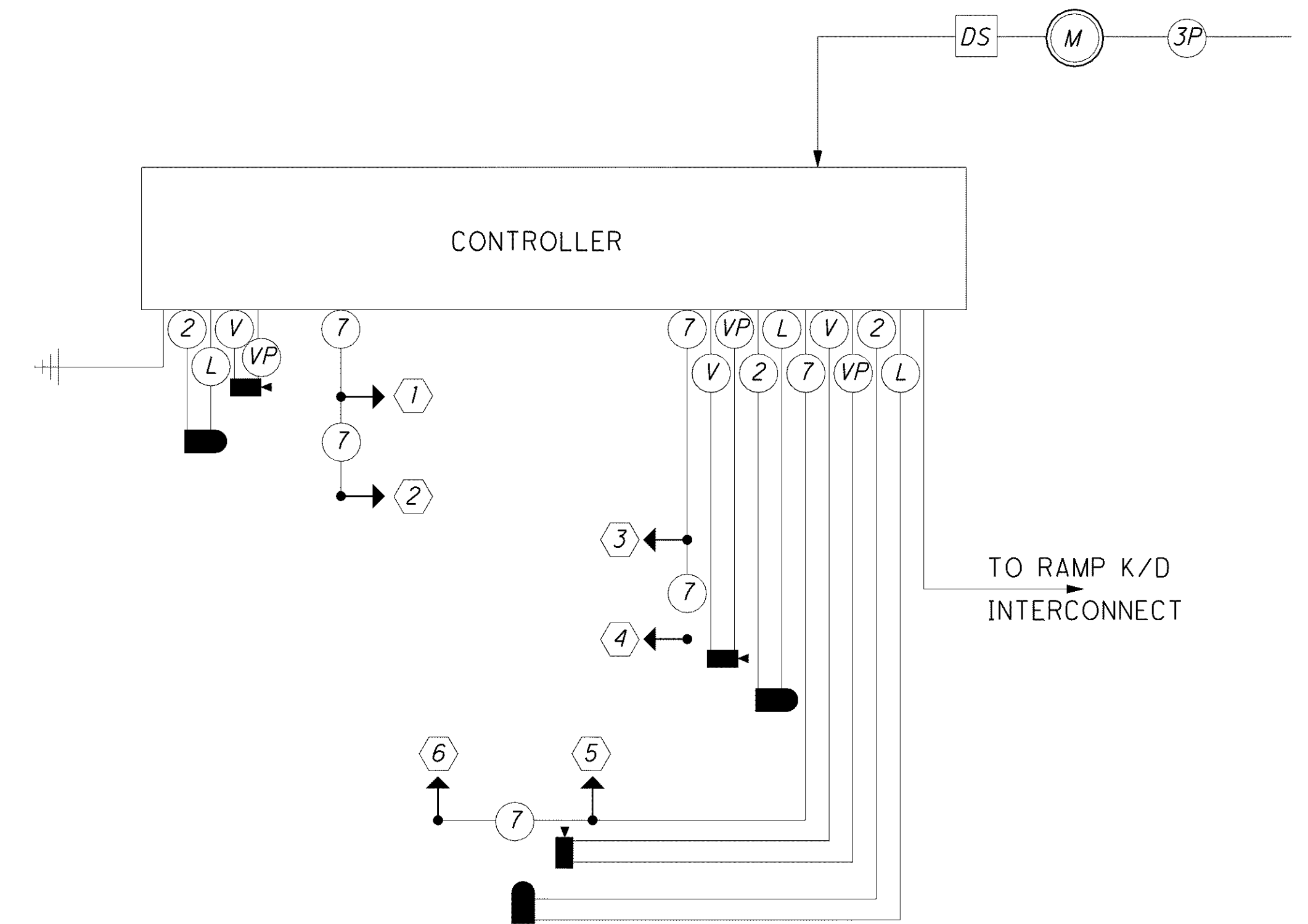


NOTES:
1. ALL ANGLES MEASURED CLOCKWISE.

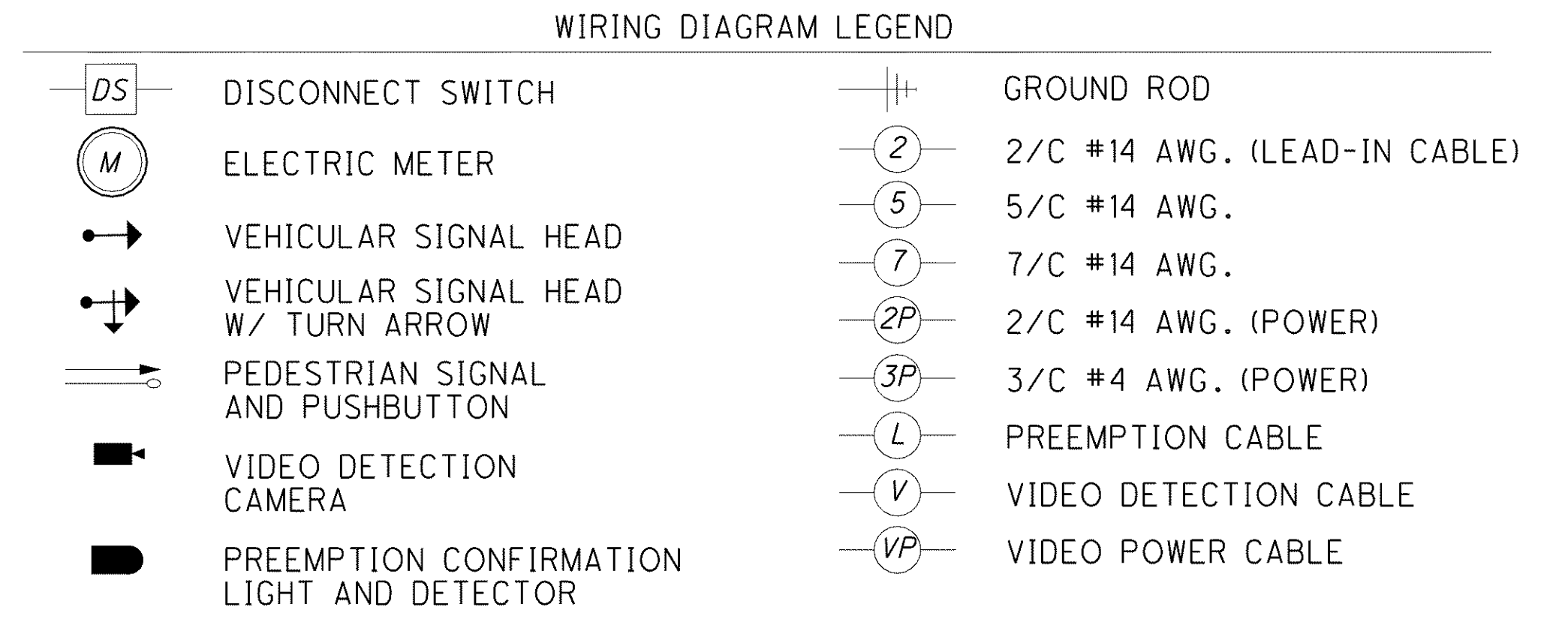
VIDEO DETECTION CAMERA MOUNTING ORIENTATION DIAGRAM
NOT TO SCALE



INSTALLED CAMERA
NOT TO SCALE



WIRING DIAGRAM



SIGNAL SUPPORT															ELEVATION		MAST ARM A ORIENTATION ANGLE (DEGREES)	ORIENTATION ANGLES (DEG.) FROM MAST ARM A					ORIENTATION ANGLES FROM INDEX LINE 'B'			
FROM SHEET NO.	ELEVATION VIEW	SUPPORT NO.	SUPPORT DESIGN NO.	MAST ARM DESIGN NO.	POLE HEIGHT (FT.)	MOUNTING HT.		L (FT.)	S1 (FT.)	S2 (FT.)	L1 (FT.)	L2 (FT.)	L3 (FT.)	L4 (FT.)	P (FT.)	V1 (FT.)		A	B	PEDESTRIAN SIGNAL	PEDESTRIAN PUSHBUTTON	HANDHOLE	BRACKET ARM	SIGN ARM	WEATHERHEAD	VIDEO CAMERA ORIENTATION ANGLE
						A	B																			
1167	1	1	11	11	23	21.5		44			25	43			31	35	658.0	656.1	0			180				0
1167	2	2	6#	11	27	19		41			21	40		16	34	27	657.0	656.5	0			180		250		0
				6#		16	6																0			
1167	1	3	2	2	23	21.5		31	6		19	30			23	27	657.2	656.8	75			180				0

* TYPE TC-12.30

\\Akrn01\Data\Civil\2004108\00\13486\signals\sheet\13486PSOM01B.dgn 6/16/2008 9:24:51 AM svarracchia