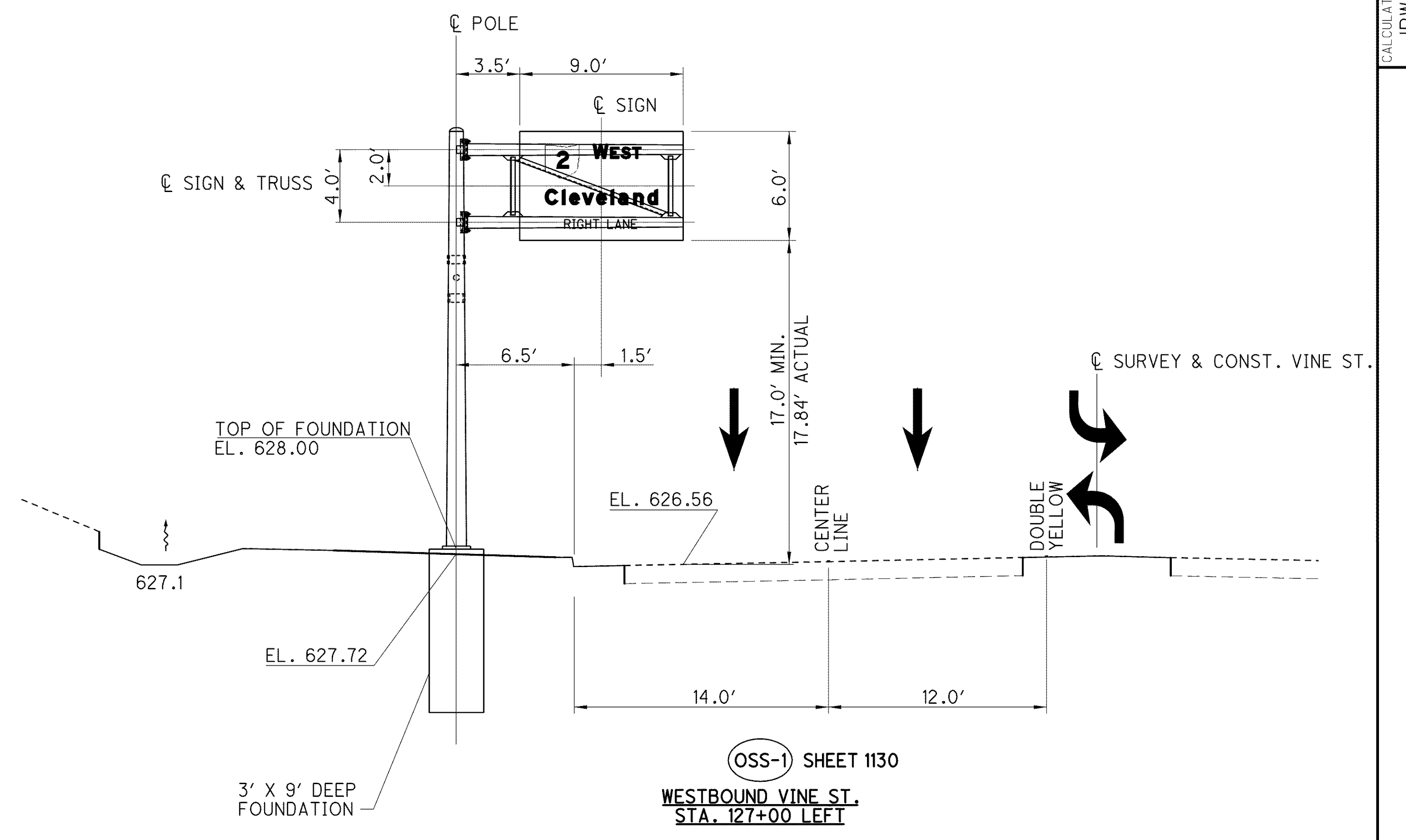
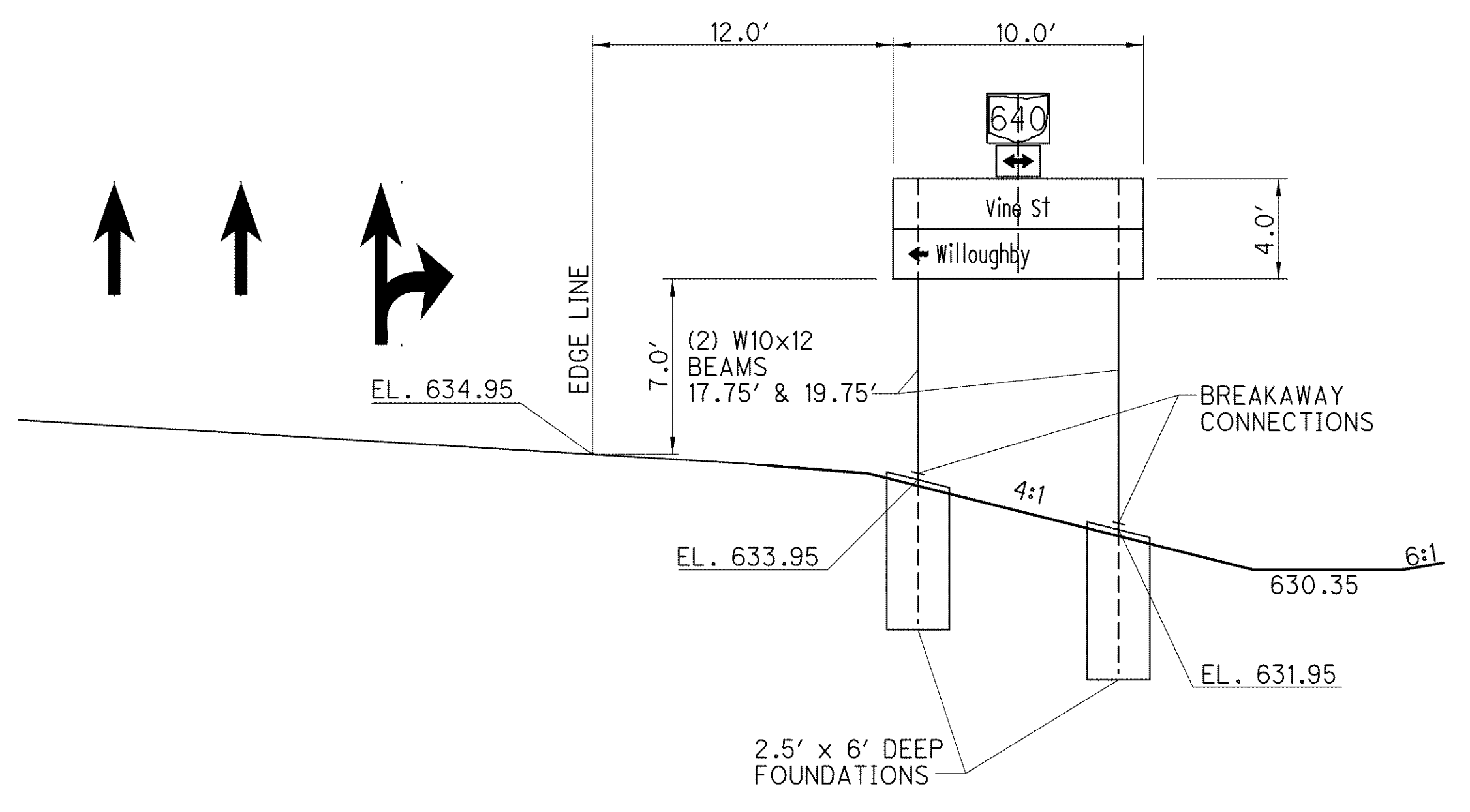


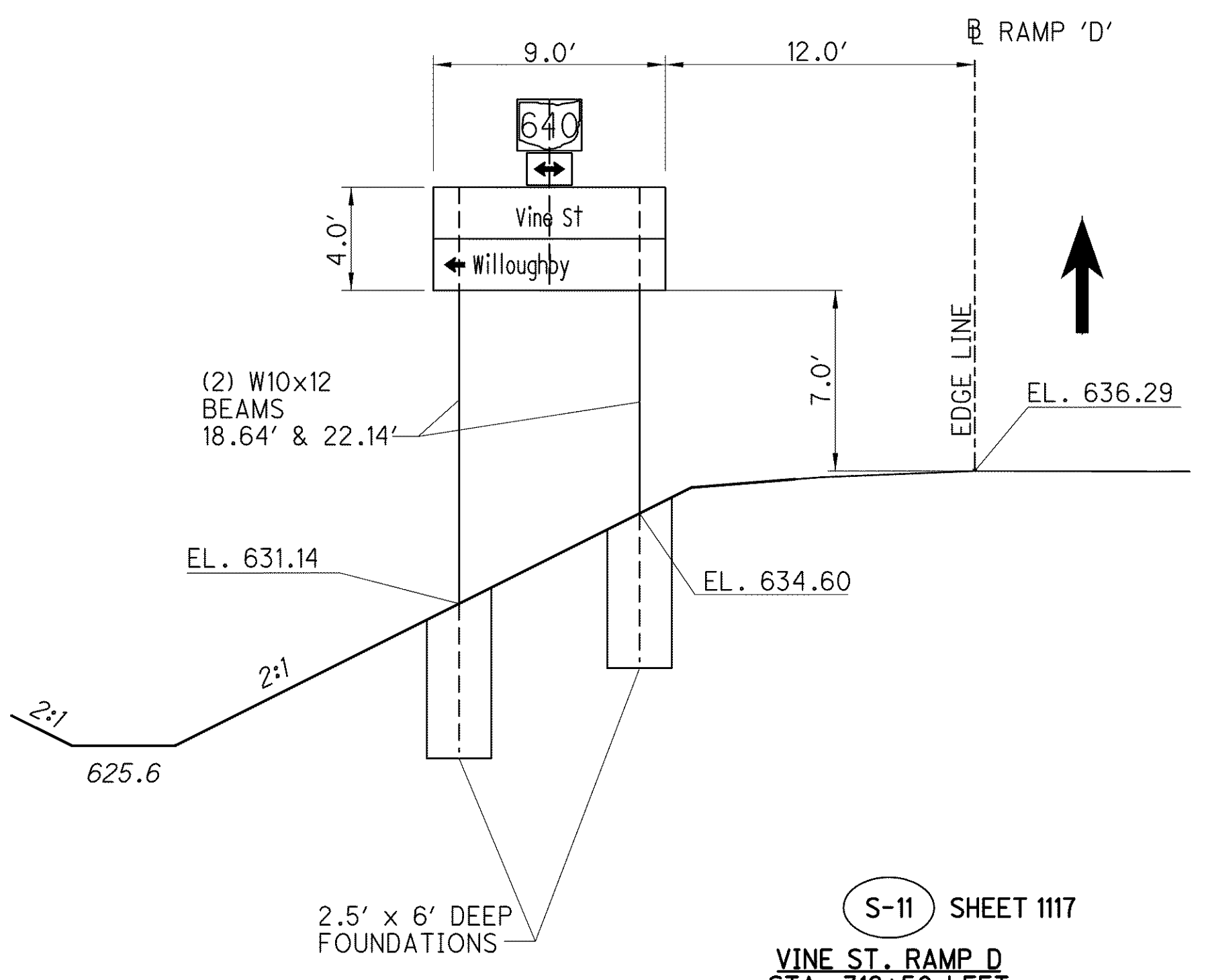
(S-2) SHEET 1130  
EASTBOUND VINE ST.  
STA. 118+00 RIGHT



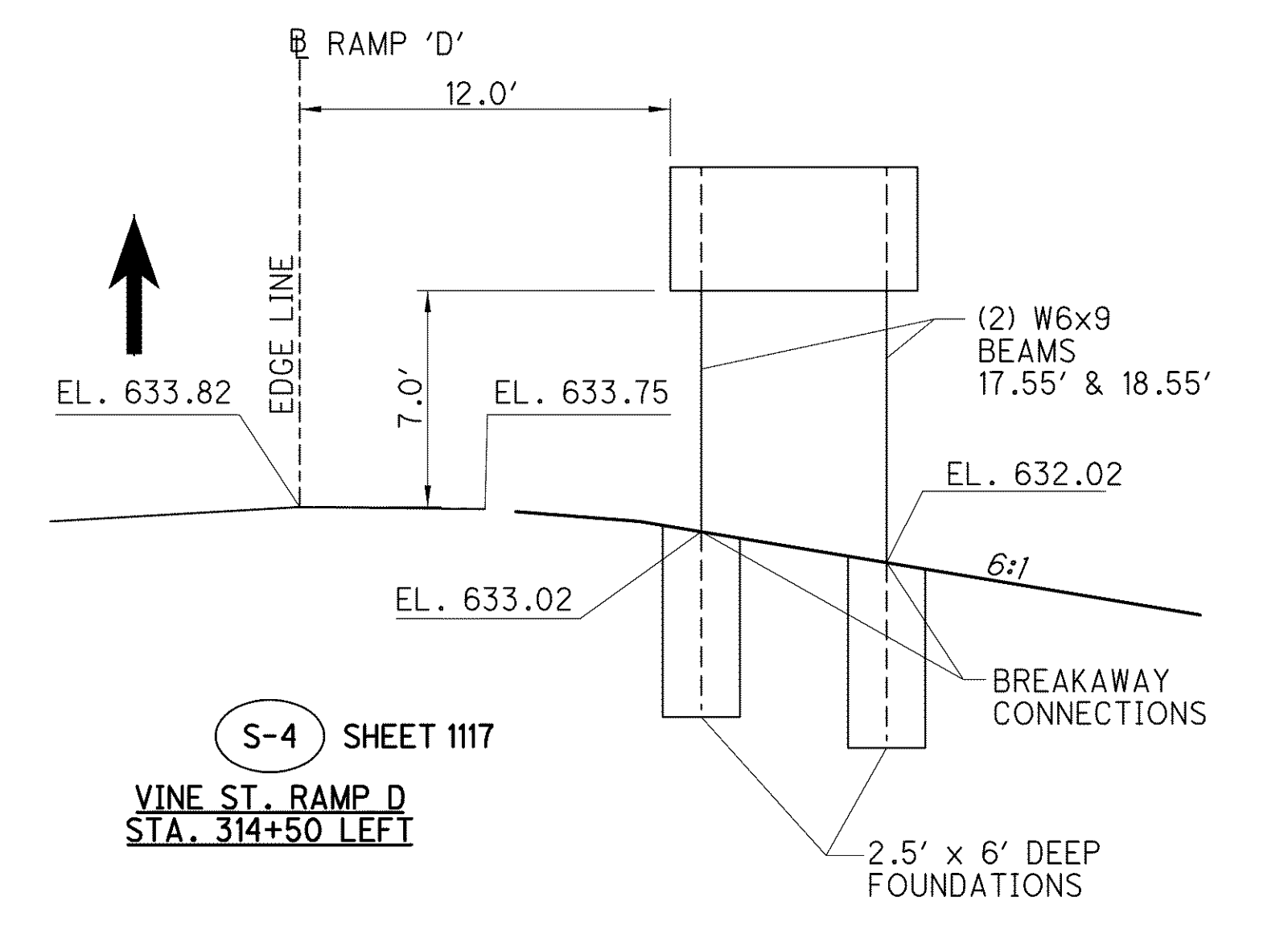
(OSS-1) SHEET 1130  
WESTBOUND VINE ST.  
STA. 127+00 LEFT



(S-12) SHEET 1115  
VINE ST. RAMP E  
STA. 318+50 RIGHT



(S-11) SHEET 1117  
VINE ST. RAMP D  
STA. 316+50 LEFT



(S-4) SHEET 1117  
VINE ST. RAMP D  
STA. 314+50 LEFT

j:\LAK\13486\traffic\sheets\13486TE200.dgn 03-JUL-2008 2:13PM lintn