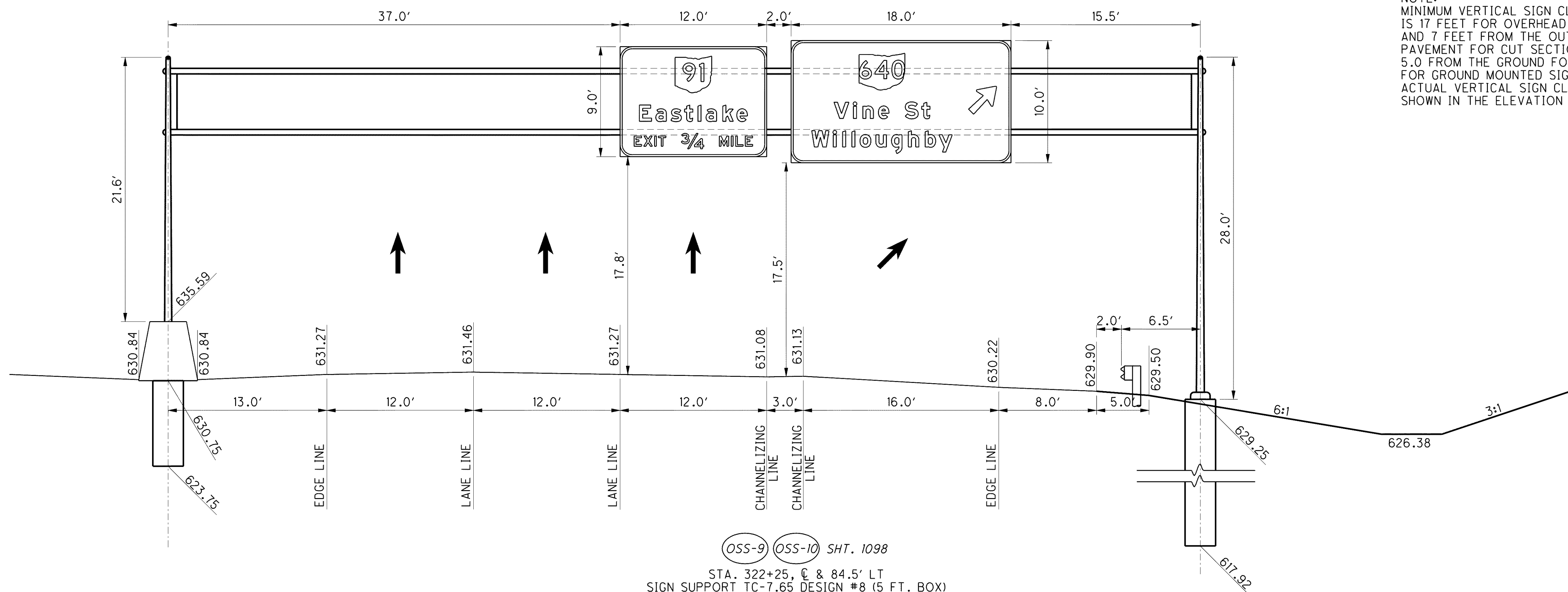
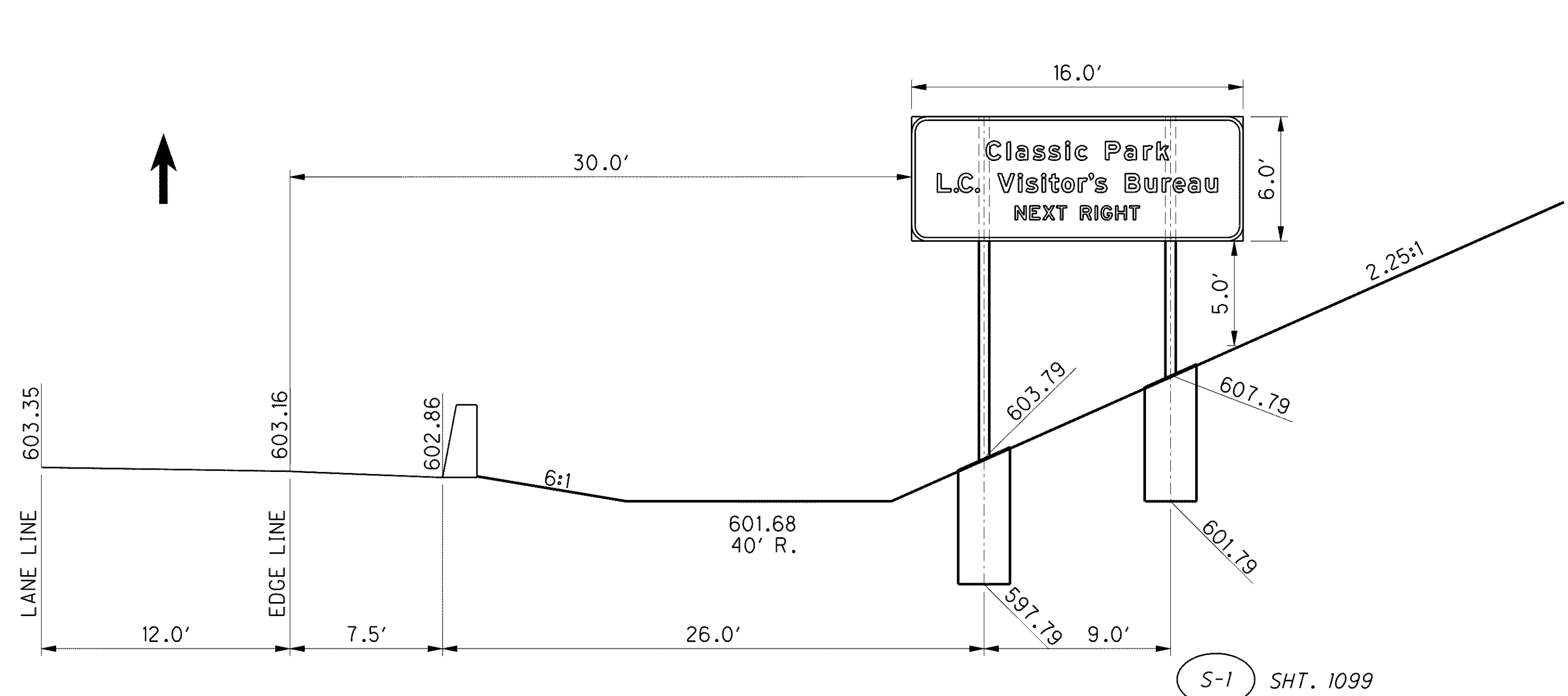


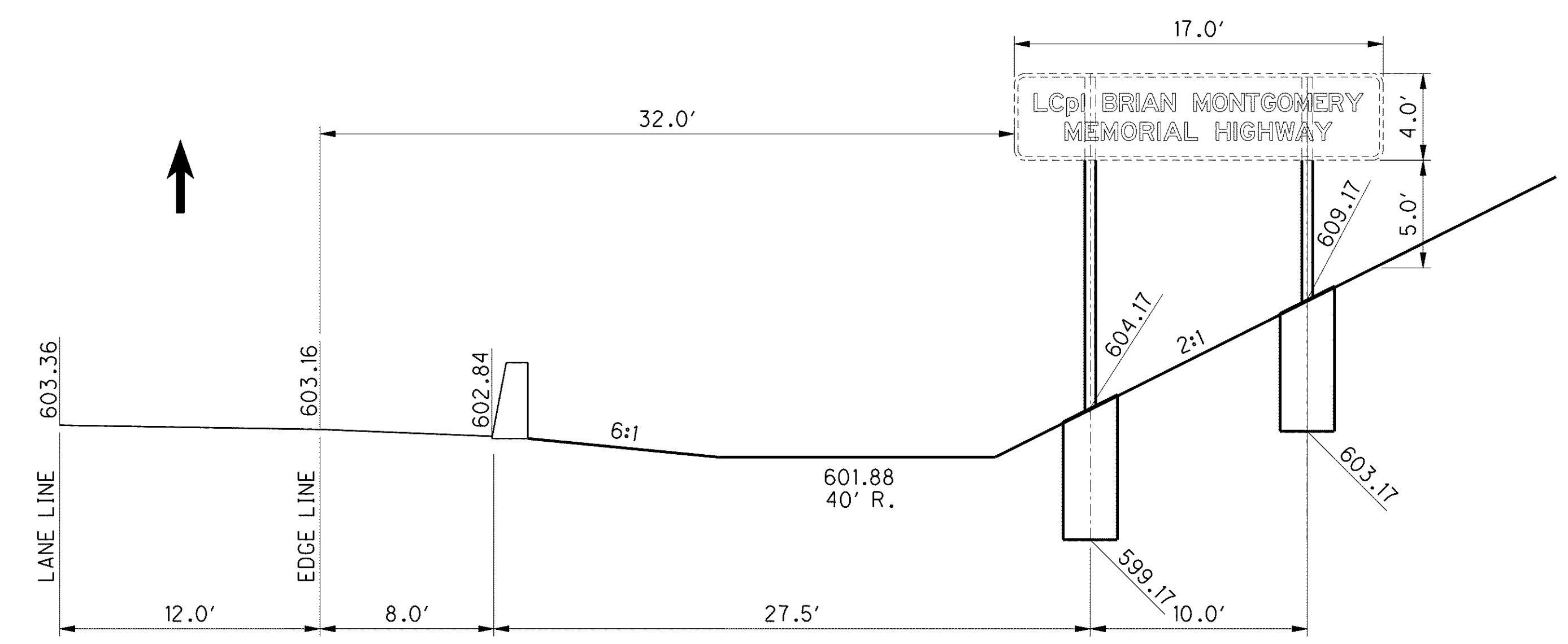
NOTE:
MINIMUM VERTICAL SIGN CLEARANCE IS 17 FEET FOR OVERHEAD SIGN SUPPORTS AND 7 FEET FROM THE OUTSIDE EDGE OF PAVEMENT FOR CUT SECTIONS AND 5.0 FROM THE GROUND FOR FILL SECTIONS FOR GROUND MOUNTED SIGNS. ACTUAL VERTICAL SIGN CLEARANCE IS SHOWN IN THE ELEVATION VIEW.



(OSS-9) (OSS-10) SHT. 1098
STA. 322+25, C & 84.5' LT
SIGN SUPPORT TC-7.65 DESIGN #8 (5 FT. BOX)



(S-1) SHT. 1099
STA. 338+00, 75.9' LT
WESTBOUND S.R. 2
2 - W8 X 18 BEAM SUPPORTS
WITH BREAKAWAY CONNECTIONS
22.5' X 18.5'
FOUNDATION 2 - 2.5' DIA. X 6.0' DEEP



(R-13) SHT. 1099
STA. 338+00, 81.0' RT
EASTBOUND S.R. 2
2 - W10 X 12 BEAM SUPPORTS
WITH BREAKAWAY CONNECTIONS
21.5' X 16.5'
FOUNDATION 2 - 2.5' DIA. X 6.0' DEEP

g:\project\lak\13486\traffic\sheets\13486TE004.dgn 6/23/2008 10:55:08 AM jmaderia