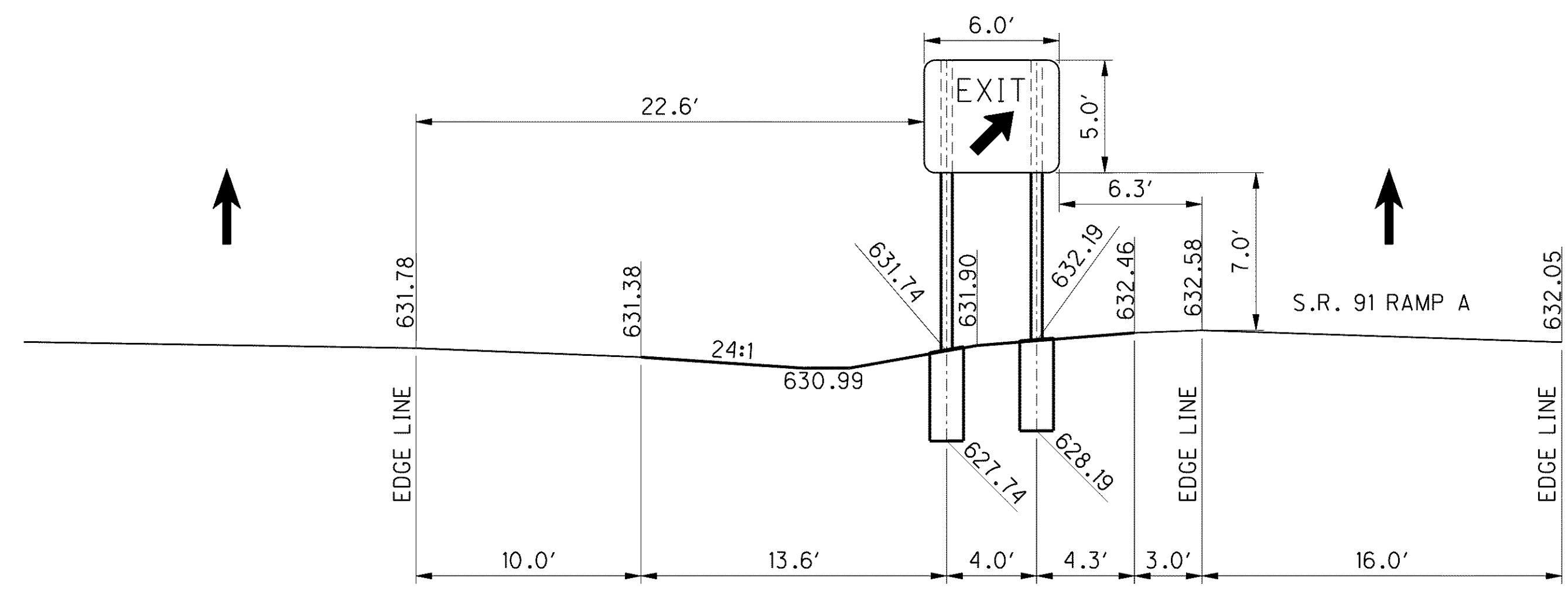
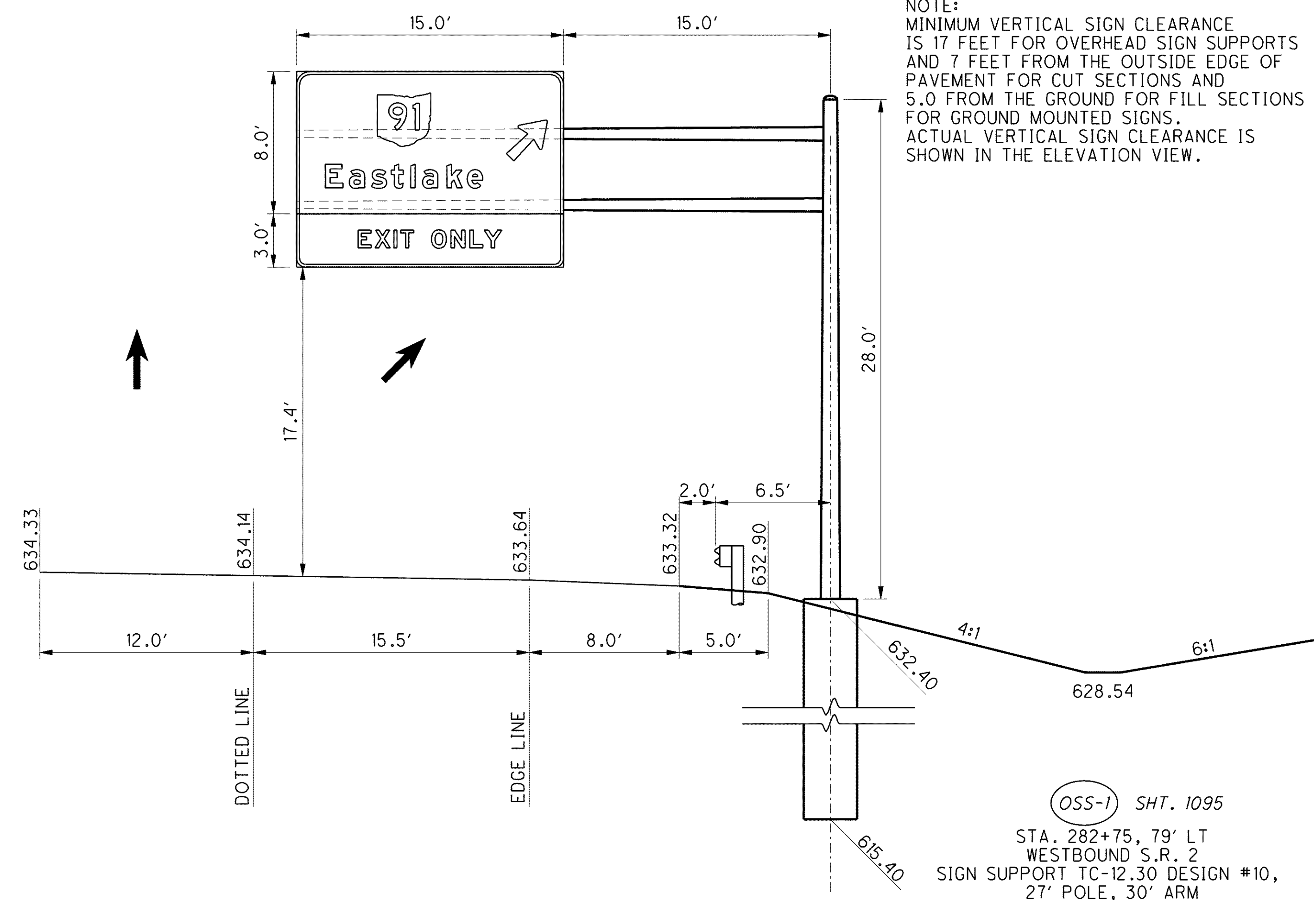


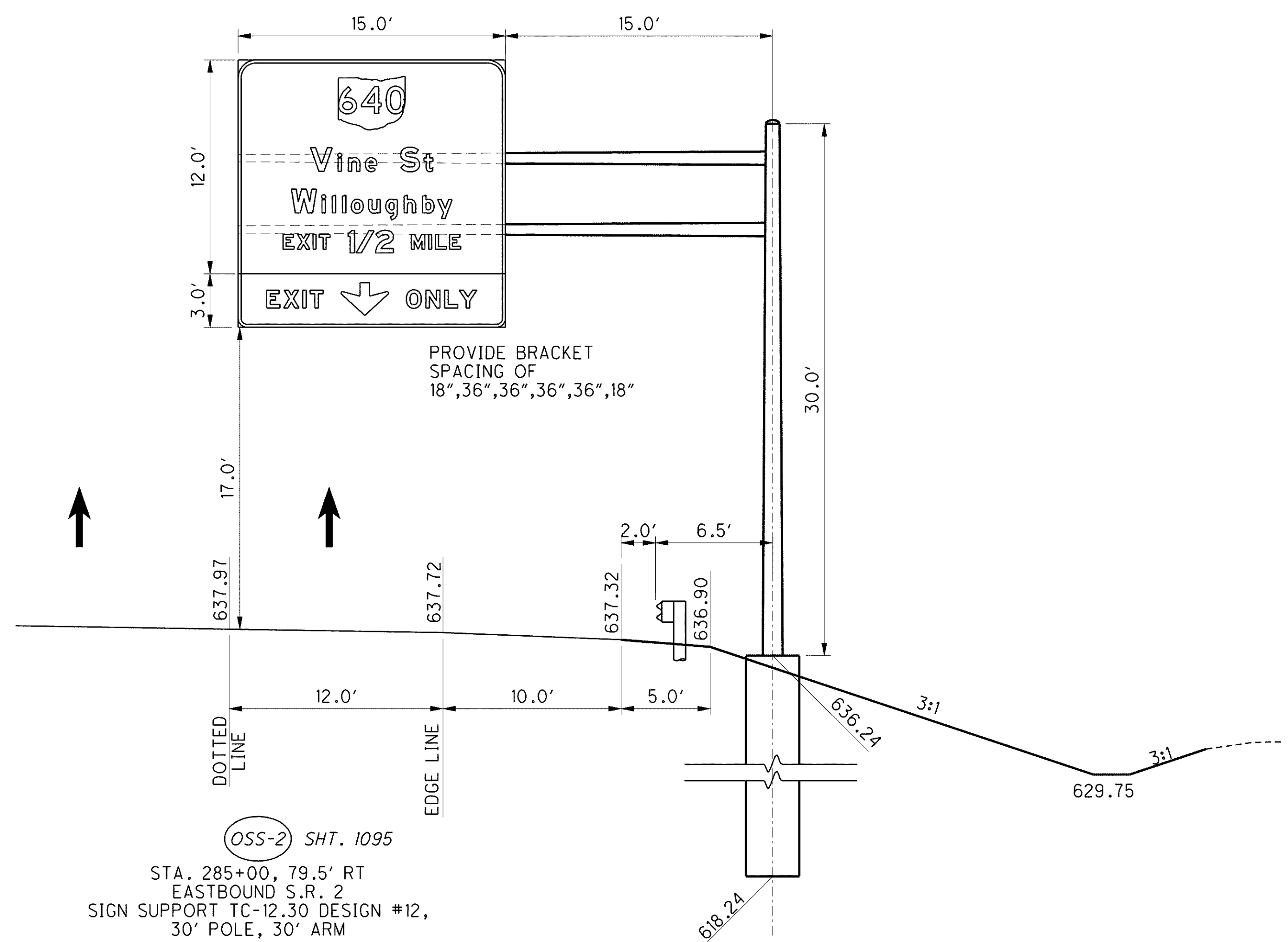
NOTE:  
MINIMUM VERTICAL SIGN CLEARANCE  
IS 17 FEET FOR OVERHEAD SIGN SUPPORTS  
AND 7 FEET FROM THE OUTSIDE EDGE OF  
PAVEMENT FOR CUT SECTIONS AND  
5.0 FROM THE GROUND FOR FILL SECTIONS  
FOR GROUND MOUNTED SIGNS.  
ACTUAL VERTICAL SIGN CLEARANCE IS  
SHOWN IN THE ELEVATION VIEW.



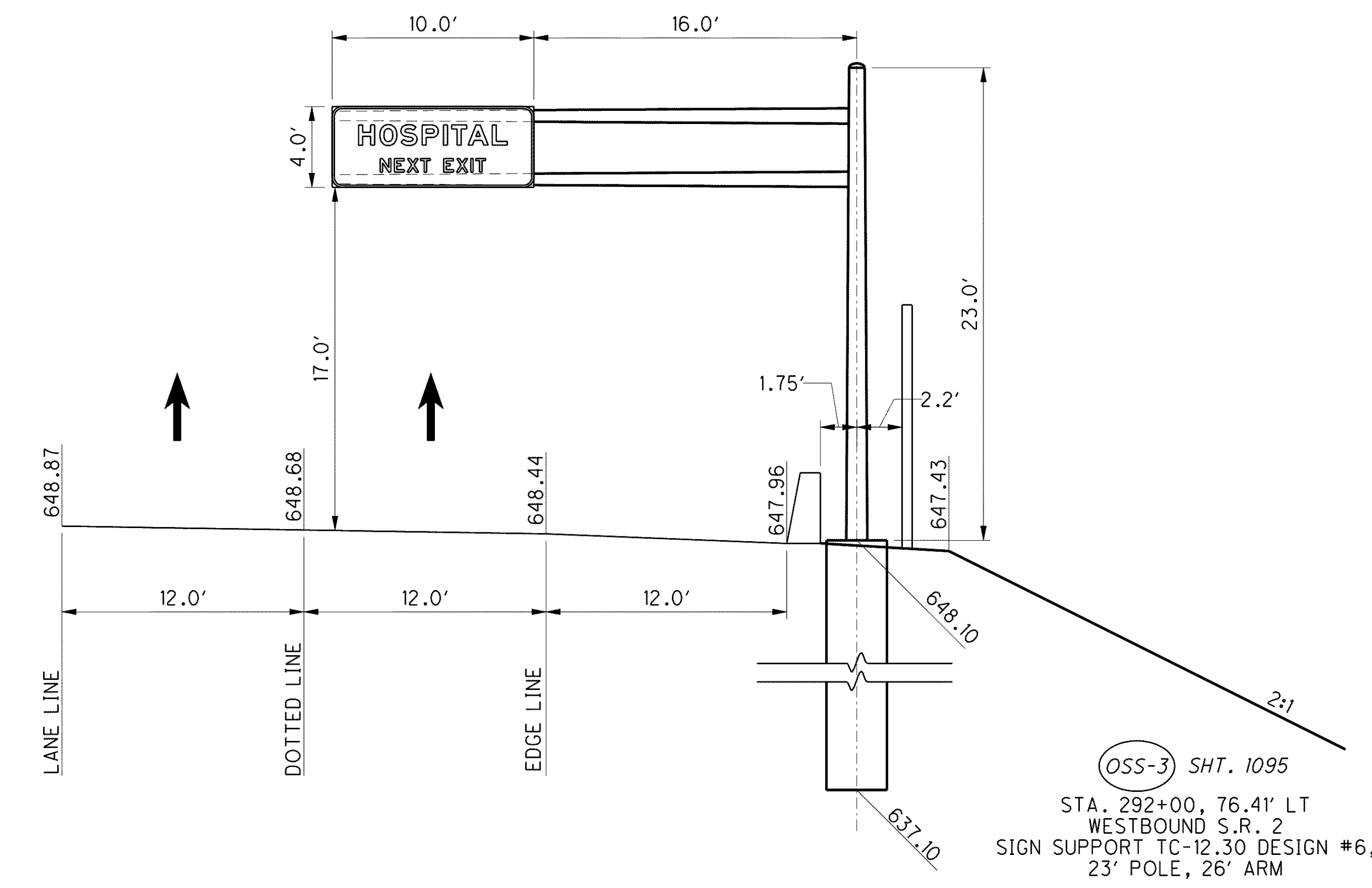
(S-1) SHT. 1094  
STA. 278+82, 70.1' LT  
WESTBOUND S.R. 2  
2 - S4 X 7.7 BEAM SUPPORTS  
WITH BREAKAWAY CONNECTIONS  
17.0' & 16.5'  
FOUNDATION 2 - 1.5' DIA. X 4.0' DEEP



(OSS-1) SHT. 1095  
STA. 282+75, 79' LT  
WESTBOUND S.R. 2  
SIGN SUPPORT TC-12.30 DESIGN #10,  
27' POLE, 30' ARM



(OSS-2) SHT. 1095  
STA. 285+00, 79.5' RT  
EASTBOUND S.R. 2  
SIGN SUPPORT TC-12.30 DESIGN #12,  
30' POLE, 30' ARM



(OSS-3) SHT. 1095  
STA. 292+00, 76.41' LT  
WESTBOUND S.R. 2  
SIGN SUPPORT TC-12.30 DESIGN #6,  
23' POLE, 26' ARM

o:\project\lak\13486\traffic\sheets\13486TE001.dgn 6/23/2008 10:54:17 AM jmoderia