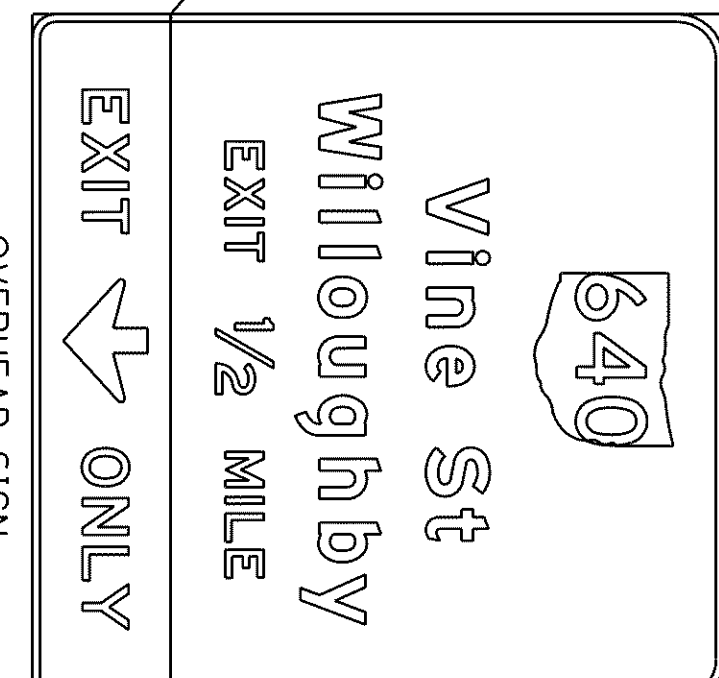
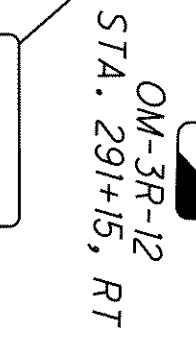
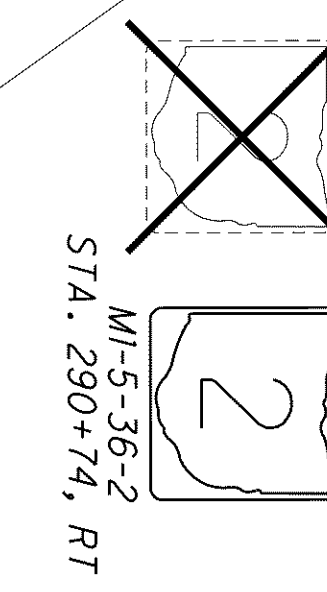
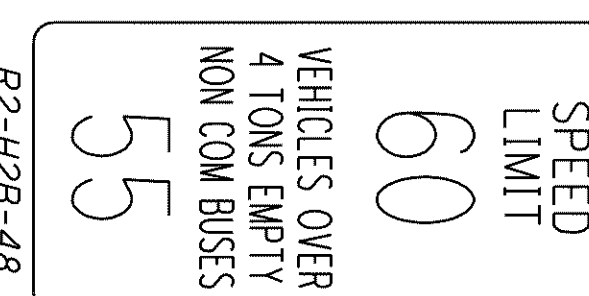


OVERHEAD SIGN
LEVEL 1
15' X 15'
EI-H1, EI-I1
STA. 285+00, RT



R2-H2B-48
STA. 286+00, RT



FOR PAVEMENT MARKING AND SIGNING LEGEND SEE SHEET 1094

CALCULATED: JMM
CHECKED: DRJ

0 25 50 100
HORIZONTAL SCALE IN FEET

SIGNING AND PAVEMENT MARKING PLAN
S.R. 2 - STA. 280+00 TO 292+50