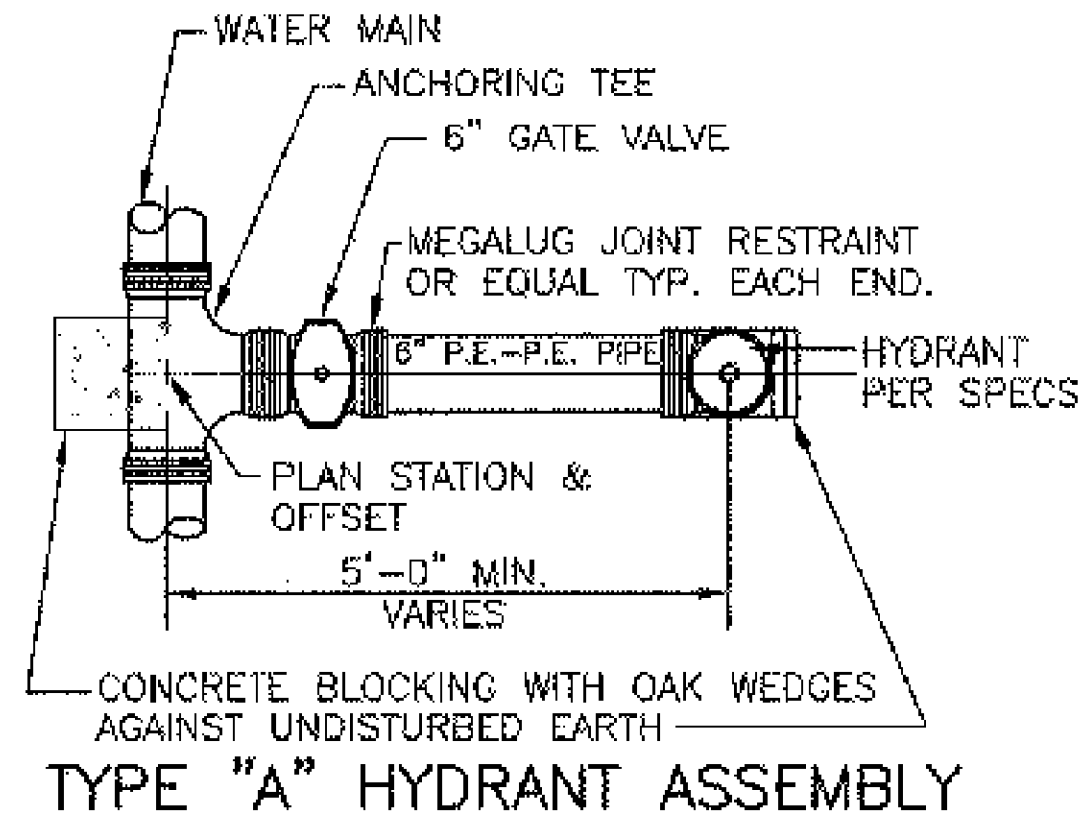
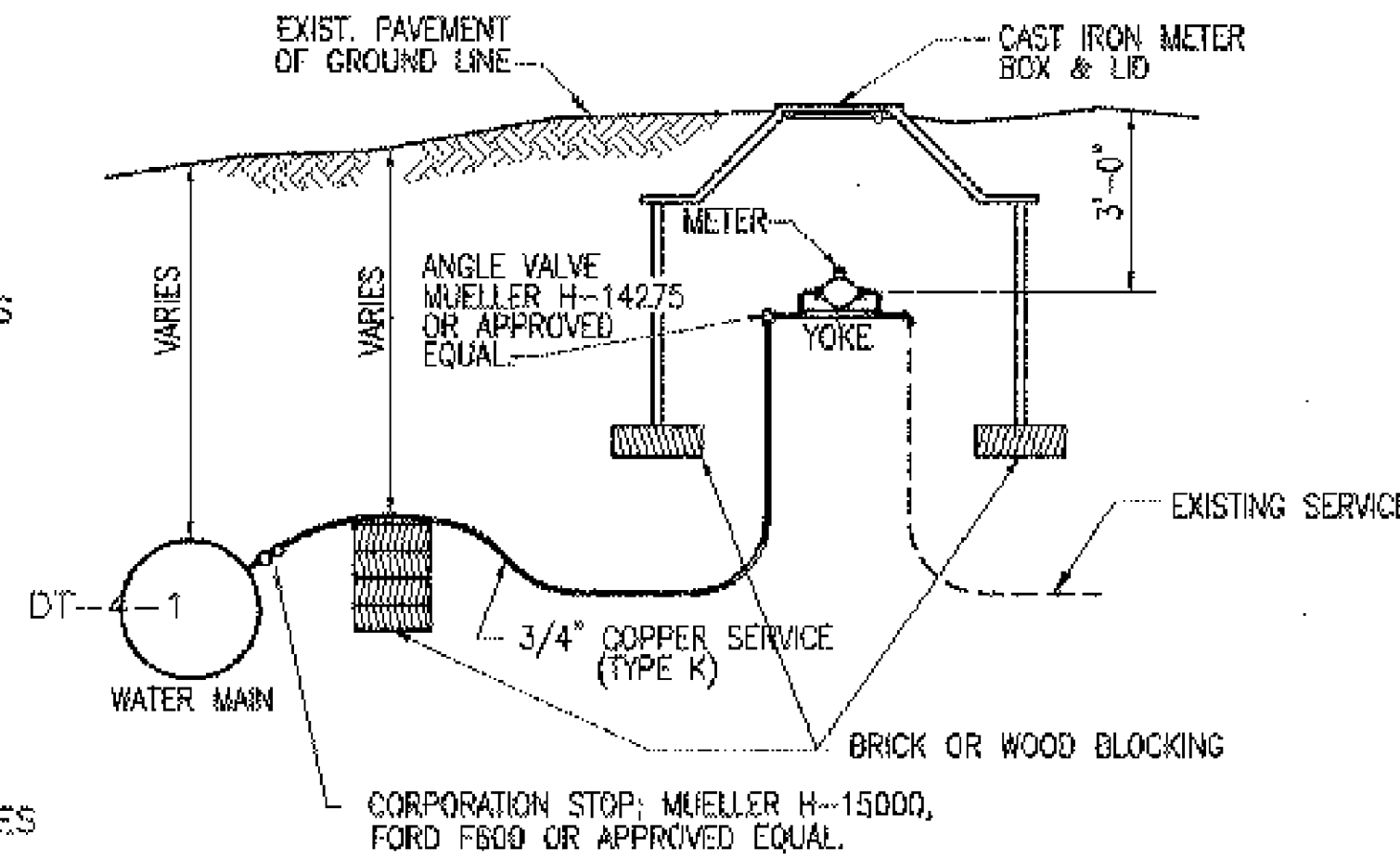


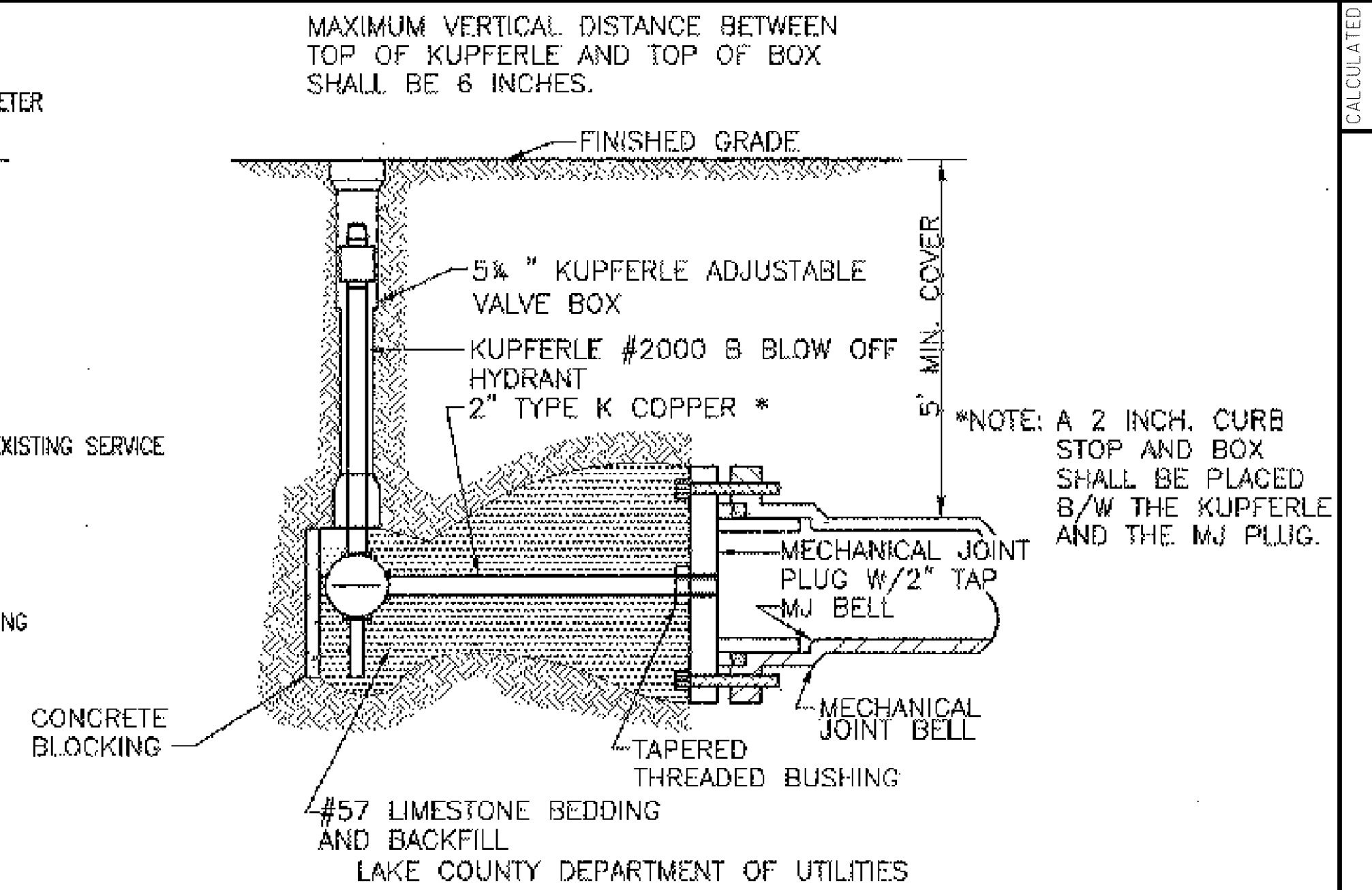
NOTE:  
CLEVELAND STANDARD HYDRANTS WITH FROST CASE SHALL BE USED. HYDRANTS SHALL HAVE CLEVELAND STANDARD THREAD NOZZLES OF 2-2 1/2" HOSE AND ONE 4" RUMPER SIZE.



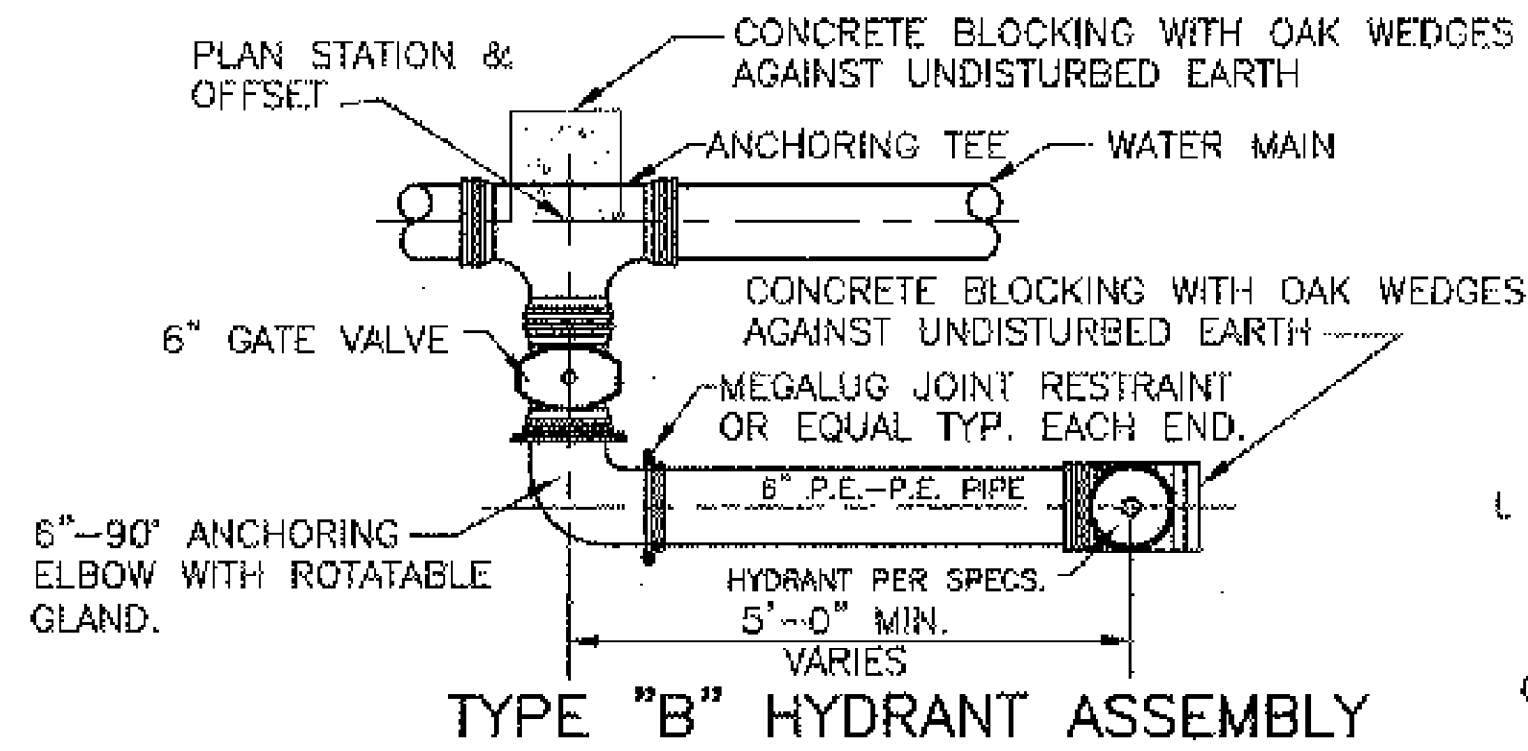
TYPE "A" HYDRANT ASSEMBLY



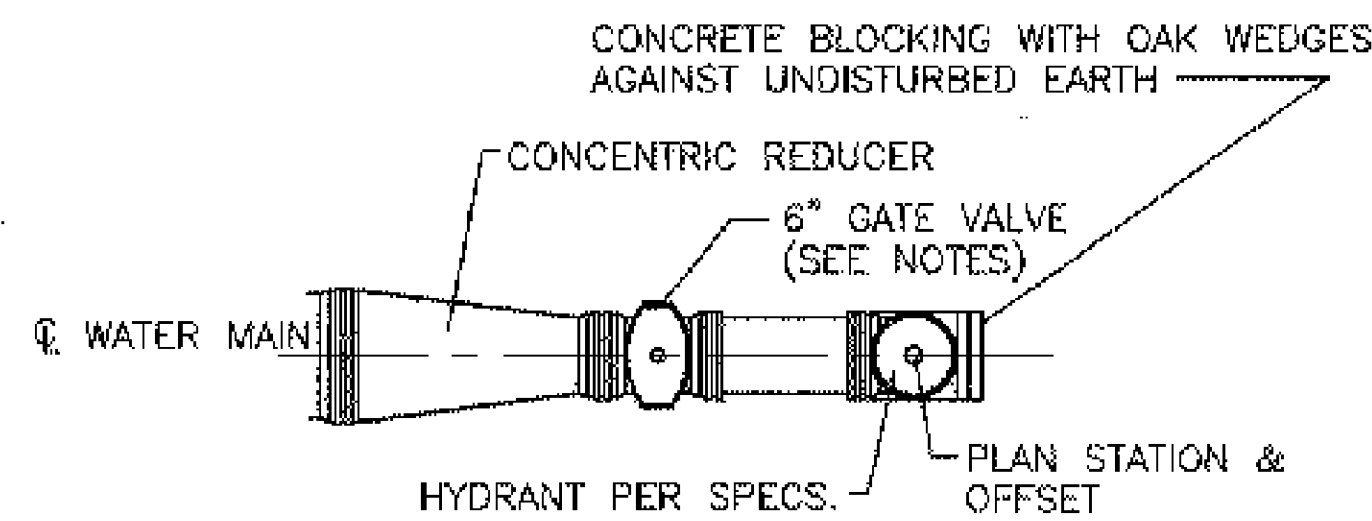
SERVICE TIE IN FOR OUTSIDE METER DETAIL



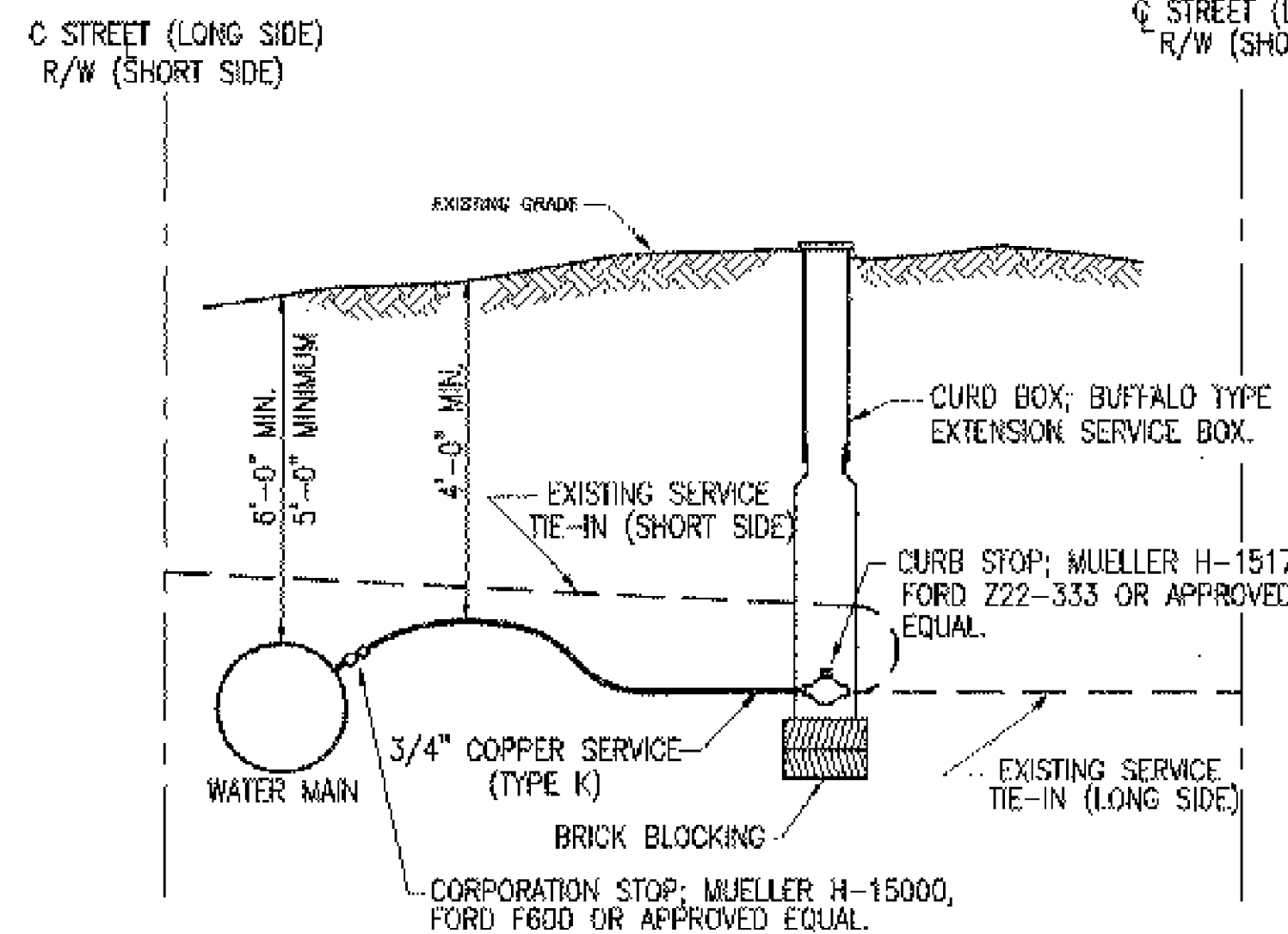
BLOW-OFF HYDRANT  
NO SCALE



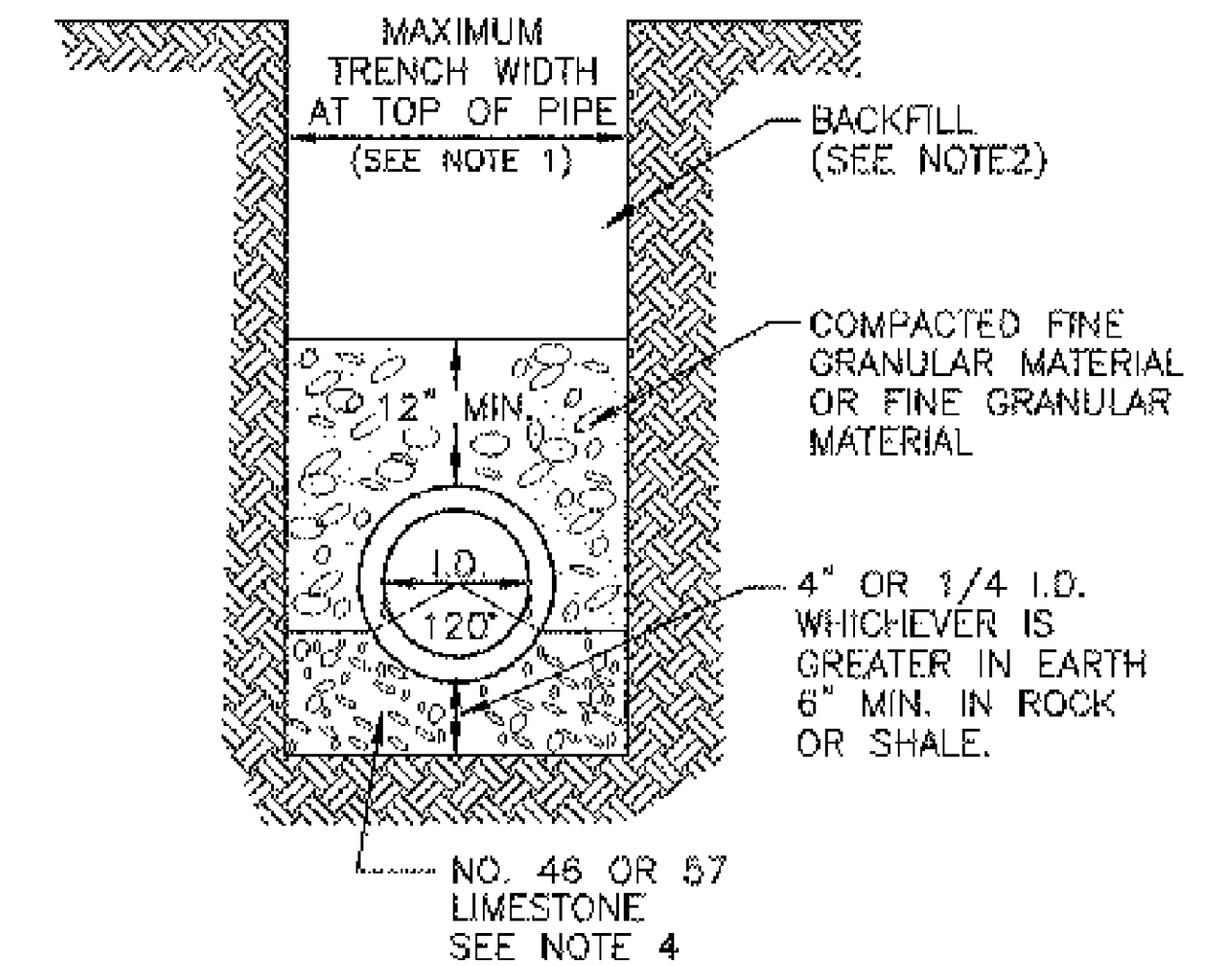
TYPE "B" HYDRANT ASSEMBLY



TYPE "C" HYDRANT ASSEMBLY



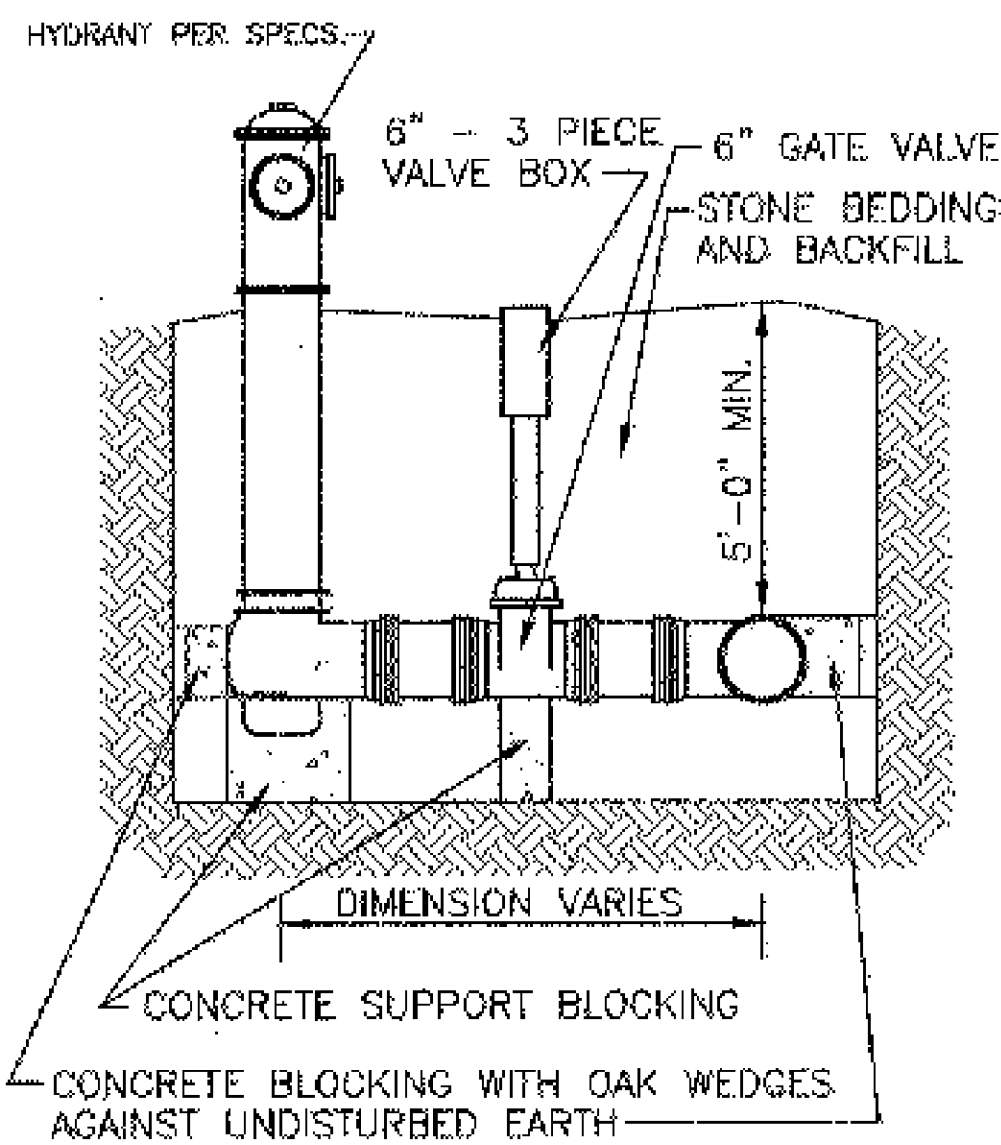
SERVICE TIE-IN FOR INSIDE METER



TRENCH AND BEDDING NOTES

1. MAXIMUM TRENCH WIDTH AT TOP OF PIPE SHALL BE O.D. PLUS 24" FOR ALL PIPE SIZES UP TO AND INCLUDING 24" I.D. AND O.D. PLUS 30" FOR PIPE SIZES LARGER THAN 24" I.D.
2. PIPE BACKFILL UNDER PAVEMENT AND STRUCTURES SHALL BE NO. 46 OR 57 LIMESTONE COMPACTED TO TOP OF TRENCH. THE BACKFILL MATERIAL SHALL EXTEND A MINIMUM OF 3 FEET BEYOND EACH EDGE OF PAVEMENT OR STRUCTURE. IN AREAS OUTSIDE OF PAVEMENT, SELECT ON-SITE GRANULAR MATERIAL APPROVED BY LAKE COUNTY SANITARY ENGINEER MAY BE USED IN LIFTS NOT TO EXCEED 6" FOR PIPE BACKFILL ABOVE BEDDING.
3. ALL BEDDING SHALL BE CLASS "B" UNLESS OTHERWISE NOTED ON THE PLANS OR AUTHORIZED BY THE ENGINEER.
4. SLAG BEDDING SHALL NOT BE USED.
5. WATERLINE BEDDING SHALL BE CLASS "C".
6. CLAY DAMS SHALL BE REQUIRED WHEN AND WHERE NECESSARY PER THE SOLE DISCRETION OF THE ENGINEER.

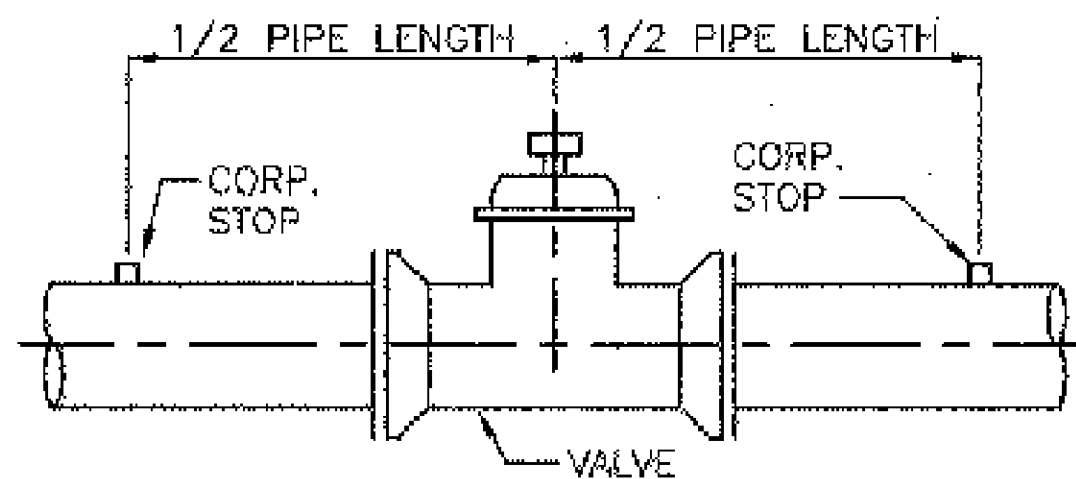
TRENCH & BEDDING DETAILS  
NO SCALE



TYPICAL HYDRANT ASSEMBLY ELEVATION

LAKE COUNTY WATER DEPARTMENT  
HYDRANT ASSEMBLY DETAIL  
NO SCALE

NOTE:  
CORPORATION STOPS TO BE PLUGGED AFTER STERILIZATION AND TESTING.



1" CORPORATION STOPS ON ALL LINES 12" & LESS

STERILIZATION AND TESTING  
CONNECTIONS AT VALVES  
NO SCALE

G:\Project\lak\utilities\sheets\13486\001.dgn 6/24/2008 3:15:13 PM djzjz