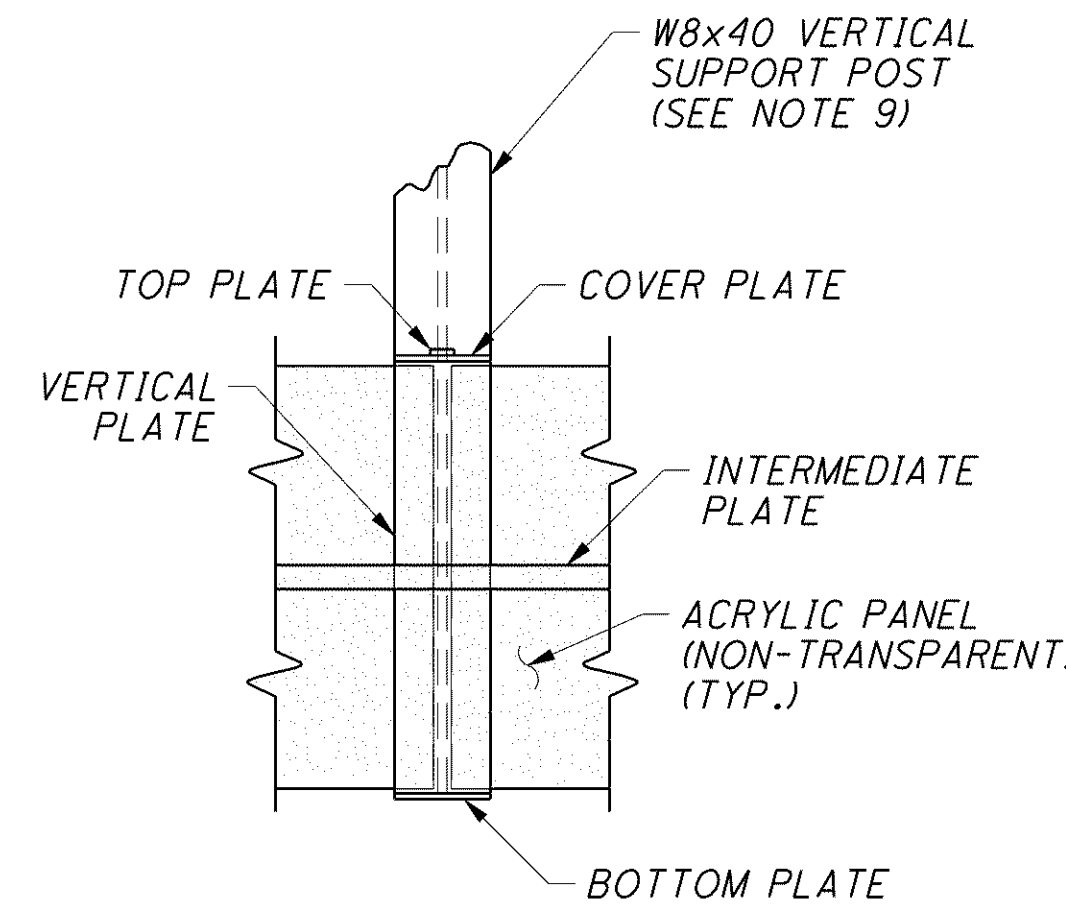
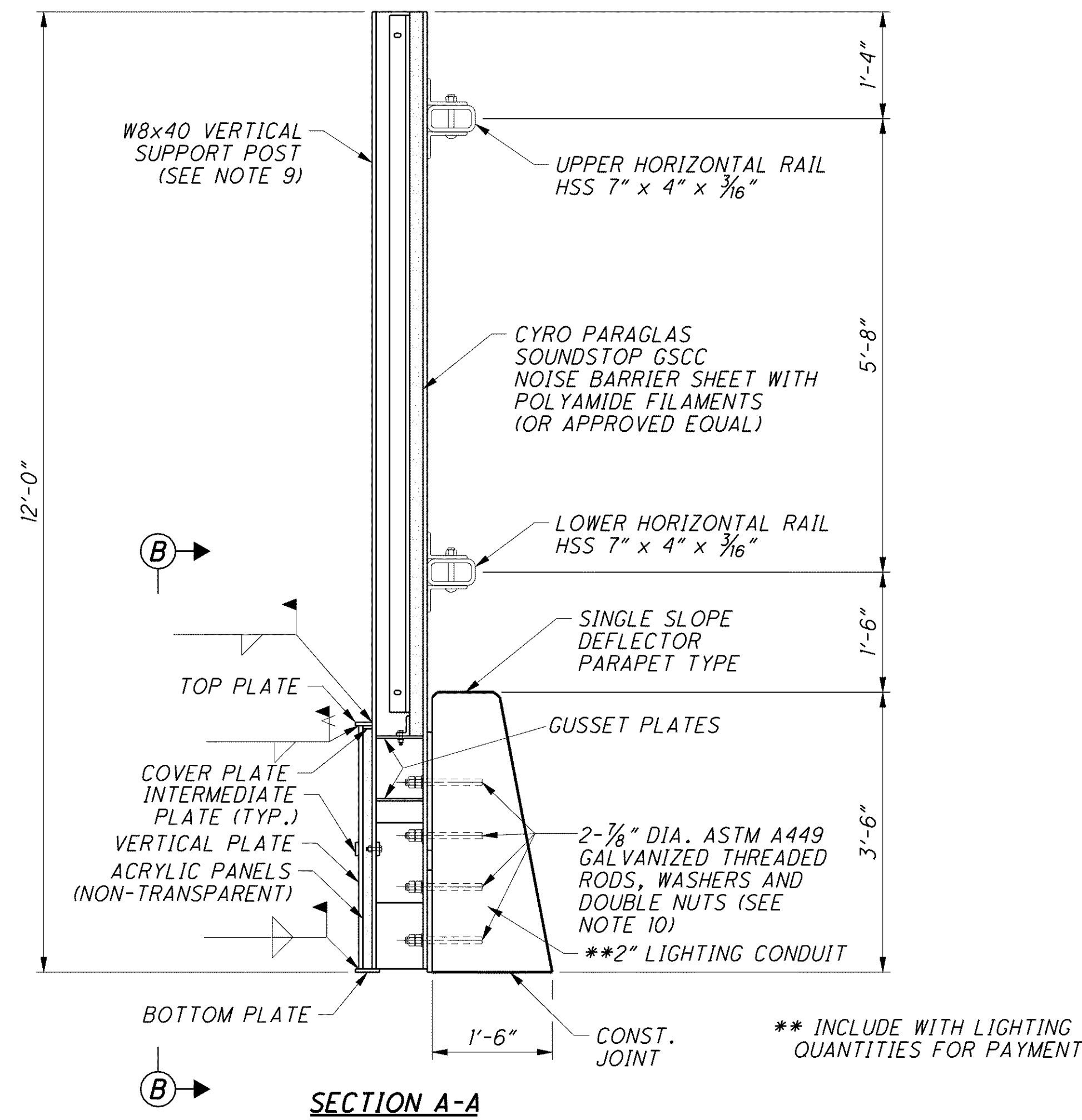


NOTES

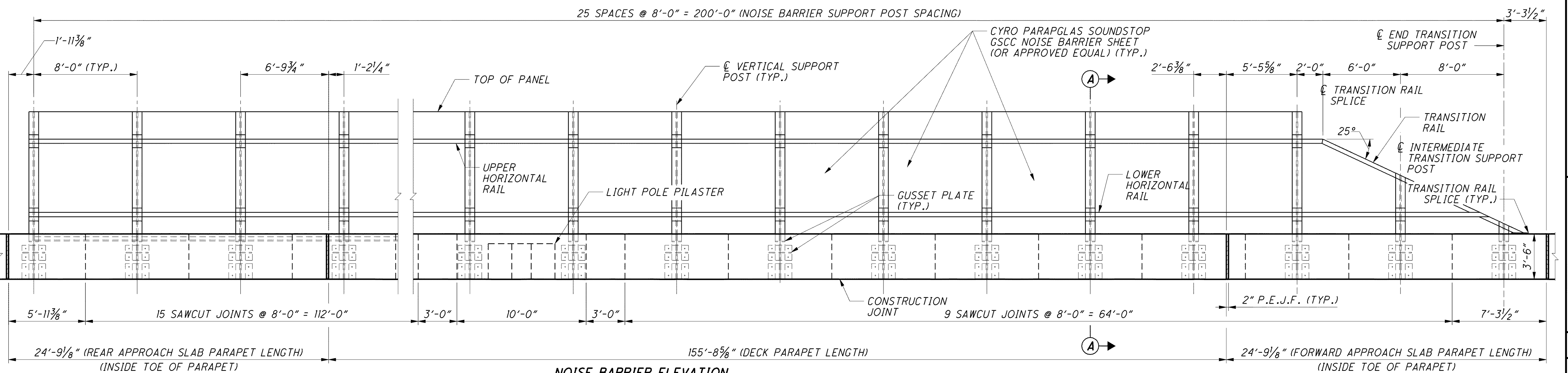
1. PROVIDE MATERIALS AND PERFORM WORK IN ACCORDANCE WITH THE MOST CURRENT EDITION OF THE AASHTO STANDARD SPECIFICATION FOR HIGHWAY BRIDGES AND THE ODOT BRIDGE DESIGN MANUAL, AND THE ANSI/AASHTO/AWS D1.5-BRIDGE WELDING CODE (USE ANSI/AWS D1.1 FOR WELDING NOT COVERED IN ANSI/AASHTO/AWS D1.5).
2. NOISE BARRIER SHALL MEET THE SAFETY REQUIREMENTS OF TEST LEVEL 4 OF THE NATIONAL COOPERATIVE HIGHWAY RESEARCH PROGRAM (NCHRP) 350 REPORT.
3. NOISE BARRIER DESIGN SPECIFICATIONS: FOR THE PARAGLAS SOUNDSTOP GSCC NOISE BARRIER SHEET, REFER TO PRODUCT SPECIFICATIONS BY CYRO INDUSTRIES, 100 ENTERPRISE DRIVE, ROCKAWAY, NJ 07866.; OR APPROVED EQUAL.
4. MATERIALS:
 - a. PROVIDE STRUCTURAL STEEL PLATES AND SHAPES CONFORMING TO GRADE 50 ASTM A709
 - b. PROVIDE STRUCTURAL STEEL TUBES CONFORMING TO ASTM A500, GRADE B
 - c. ALL STEEL AND HARDWARE SHALL BE GALVANIZED IN ACCORDANCE WITH ASTM A123 (PLATES AND SHAPES) OR A153 (BOLTS AND HARDWARE).
5. CLEAN AND PREPARE GALVANIZED SURFACES IN ACCORDANCE WITH MANUFACTURER'S REQUIREMENTS FOR COATING GALVANIZED METAL, WHEN ADDITIONAL COATINGS ARE REQUIRED.
6. HORIZONTAL FRAME DEFLECTION SHALL BE LIMITED TO THE SPAN LENGTH OF THE FRAME DIVIDED BY 240.
7. FOR ADDITIONAL DETAILS AND APPROVED LIST OF SUPPLIERS, SEE SHEETS 969 THRU 977.
8. ALL VERTICAL SUPPORT POSTS SHALL BE COATED AS PER ITEM 514, FEDERAL COLOR 595B-27722, (BUFF).
9. FOR CONNECTION TO BARRIER, USE HILTI HY 150/HIT-ICE INJECTION ADHESIVE OR APPROVED ADHESIVE ANCHORAGE SYSTEM. HOLE DIAMETER TO BE IN ACCORDANCE WITH ADHESIVE MANUFACTURER'S RECOMMENDATIONS. PERFORM LOAD TESTS AS REQUIRED IN ACCORDANCE WITH ADHESIVE MANUFACTURER'S REQUIREMENTS/SPECIFICATIONS TO VERIFY THE CONTRACTOR'S PROPOSED INSTALLATION PROCEDURES/METHODS.
10. ALTERNATE ANCHORAGE DEVICES / METHODS MAY BE USED FOR THE CONNECTION OF THE VERTICAL SUPPORT POST TO THE BARRIER, INCLUDING CAST-IN-PLACE STEEL ANCHORAGE PLATES OR INSERTS. THE DEVICES / METHODS MUST PROVIDE A TENSILE CAPACITY EQUAL TO OR GREATER THAN THE SYSTEM SHOWN AND MUST BE DESIGNED BY A PROFESSIONAL ENGINEER REGISTERED IN THE STATE OF OHIO AND SHALL BE SUBMITTED FOR APPROVAL BY THE ENGINEER.
11. ACRYLIC PANEL, TOP PLATE, BOTTOM PLATE, COVER PLATE, VERTICAL PLATE, AND INTERMEDIATE PLATE SHALL BE FEDERAL COLOR NUMBER 595B-27722, (BUFF).
12. FOR LIST OF ABBREVIATIONS SEE SHEET 1396.
13. PAYMENT FOR THE BRIDGE MOUNTED TL-4 NOISE BARRIER SHALL BE PER SQUARE FOOT. MEASUREMENT FOR PAYMENT SHALL BE CALCULATED FROM THE TOP OF THE BRIDGE PARAPET TO THE TOP OF THE BARRIER MULTIPLIED BY THE LENGTH. THE UNIT PRICE FOR THIS ITEM SHALL INCLUDE: SHOP DRAWINGS, ALL NECESSARY COMPONENTS TO CONSTRUCT THE BARRIER PER THIS PLAN SHEET, AND THE INSTALLATION OF THE COMPLETE TL-4 SYSTEM. PAYMENT FOR THE TRAFFIC BARRIER SHALL NOT BE INCLUDED IN THIS ITEM.



VIEW B-B
(SEE NOTE 11)

LEGEND

- * TOP OF NOISE BARRIER AND UPPER AND LOWER HORIZONTAL RAILS SHALL BE PARALLEL TO PROFILE GRADE.
- ** MANUFACTURER SHALL PROVIDE DETAILS FOR NOISE BARRIER ROTATION AT PARAPET EXPANSION JOINT.
- *** THE COVER PANEL SHALL EXTEND CONTINUOUS BETWEEN OUTERMOST VERTICAL SUPPORTS, APPROXIMATE LENGTH OF 202 FEET MAY BE COMPRISED OF SEVERAL PANELS.
- **** INCLUDE WITH LIGHTING QUANTITIES FOR PAYMENT



NOISE BARRIER ELEVATION

C:\Project\ok\13486\structures\NoiseBarrier\sheet\13486ND08.dgn 6/26/2008 9:10:04 AM jmoderica

DATE	7/77
REVIEWED	RJO
DRAWN	LEL
DESIGNED	P.JL
CHECKED	EBS
STRUCTURE FILE NUMBER	4300696 (L) 4300726 (R)