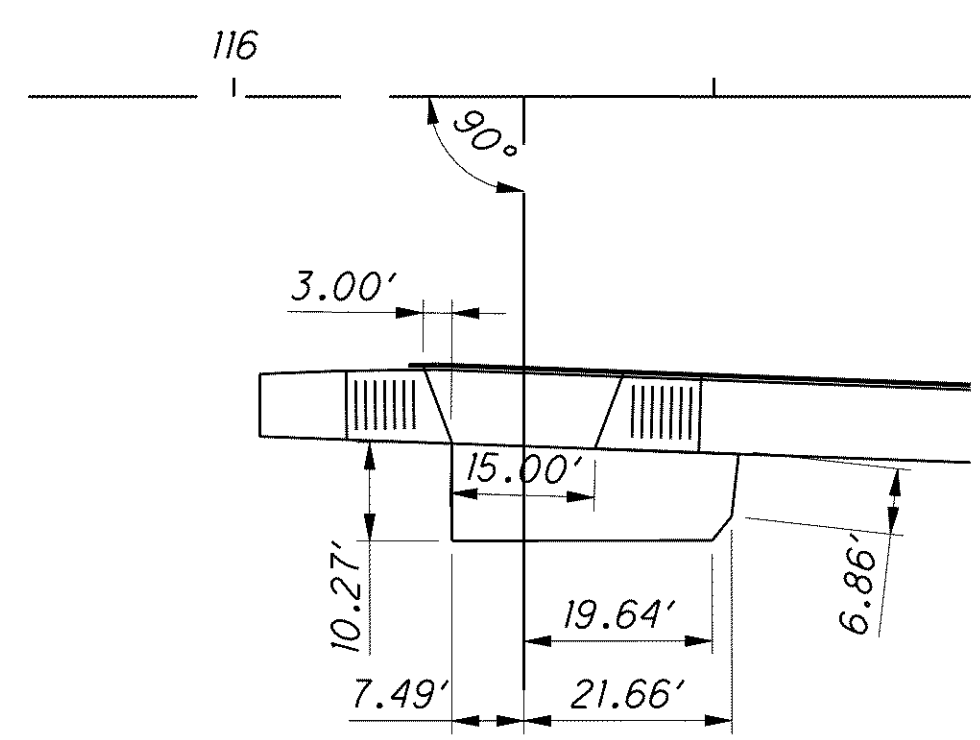
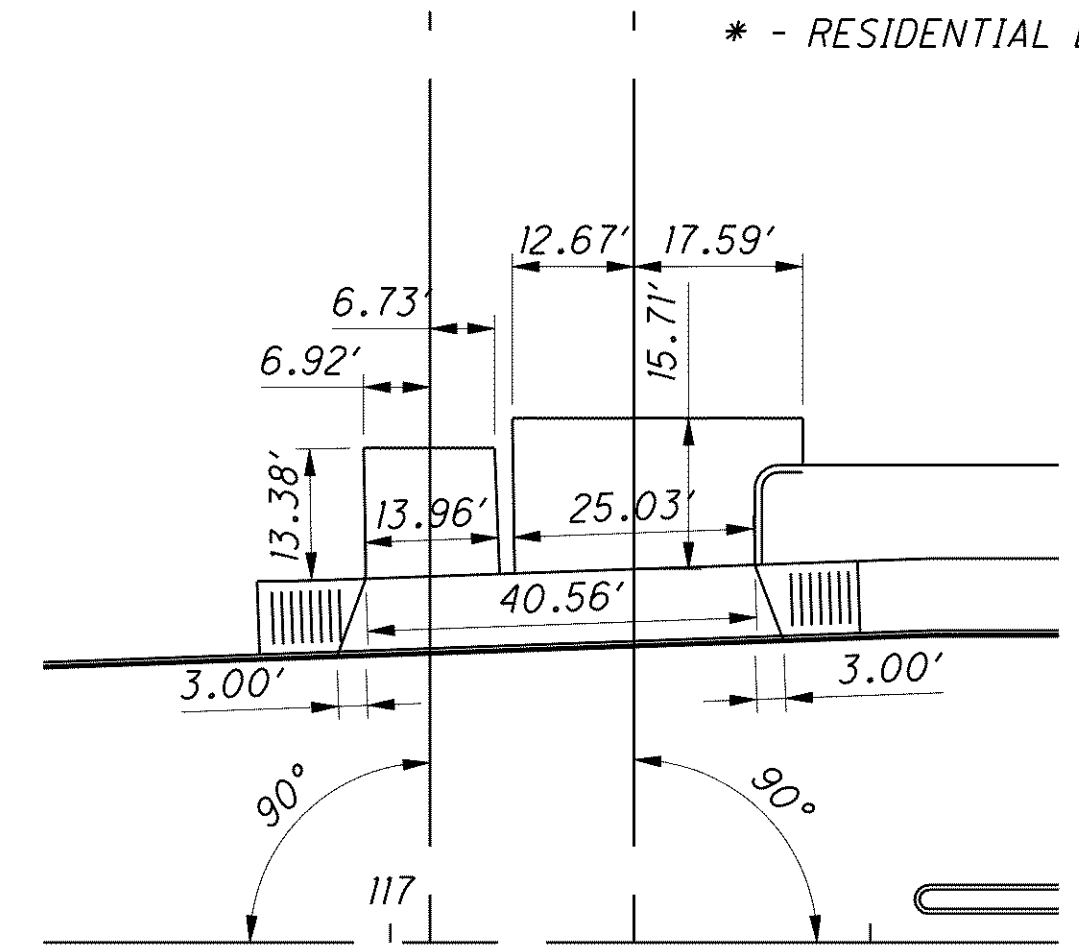


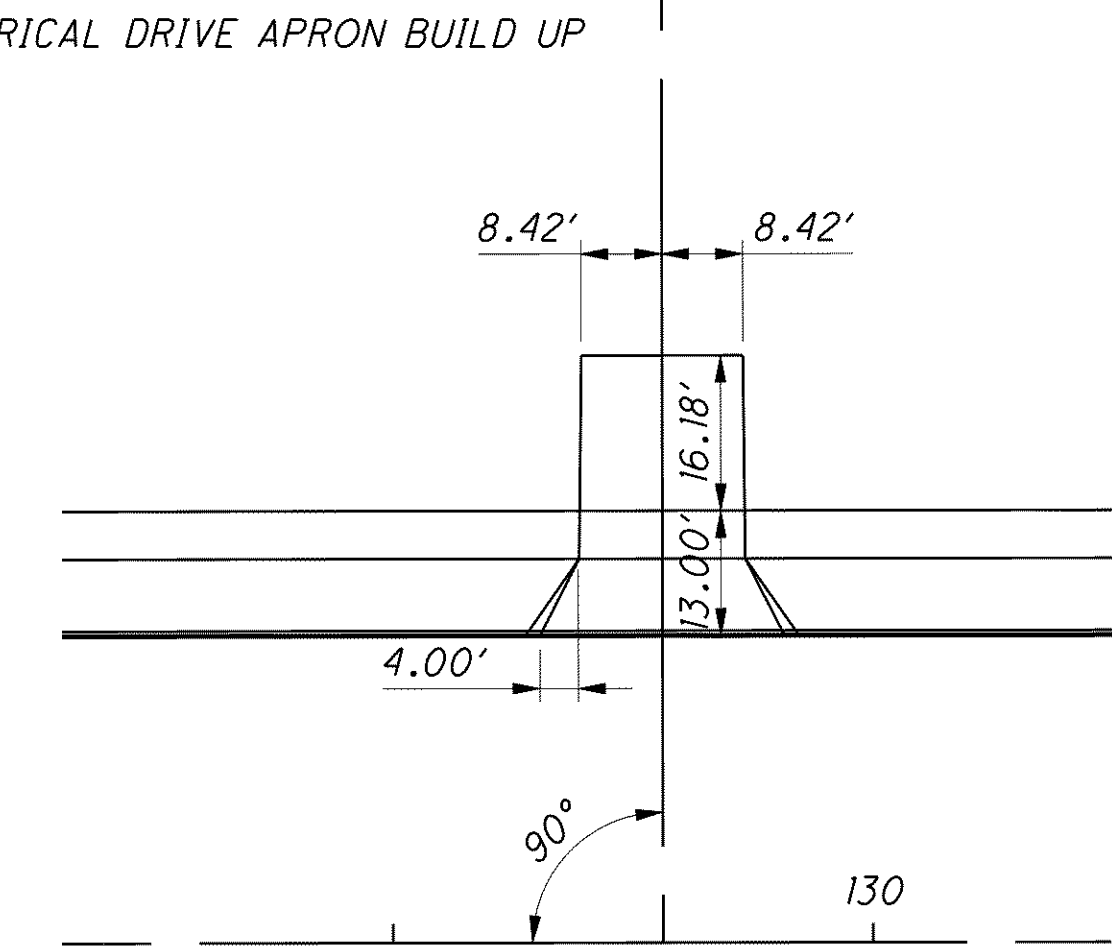
\* - RESIDENTIAL DRIVE USING THE COMMERCIAL DRIVE APRON BUILD UP



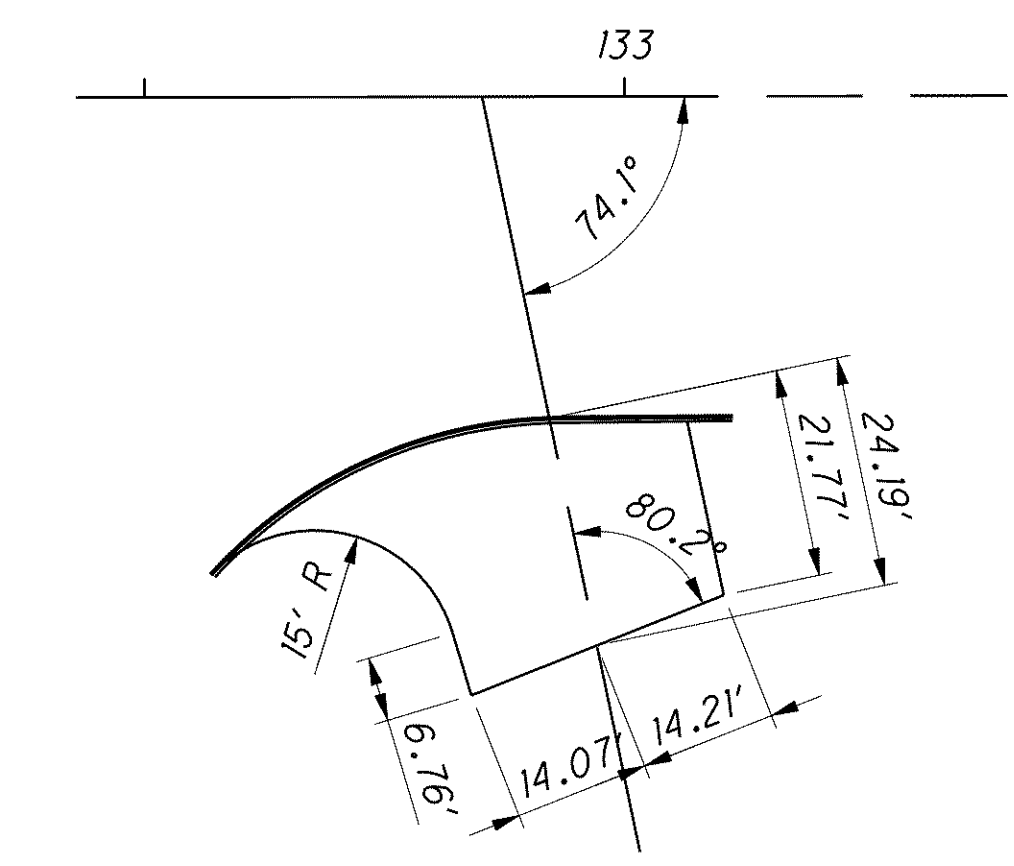
**DR1**  
 STA. 116+30.20, RT. (VINE ST.)  
 ASPHALT RESIDENTIAL DRIVE



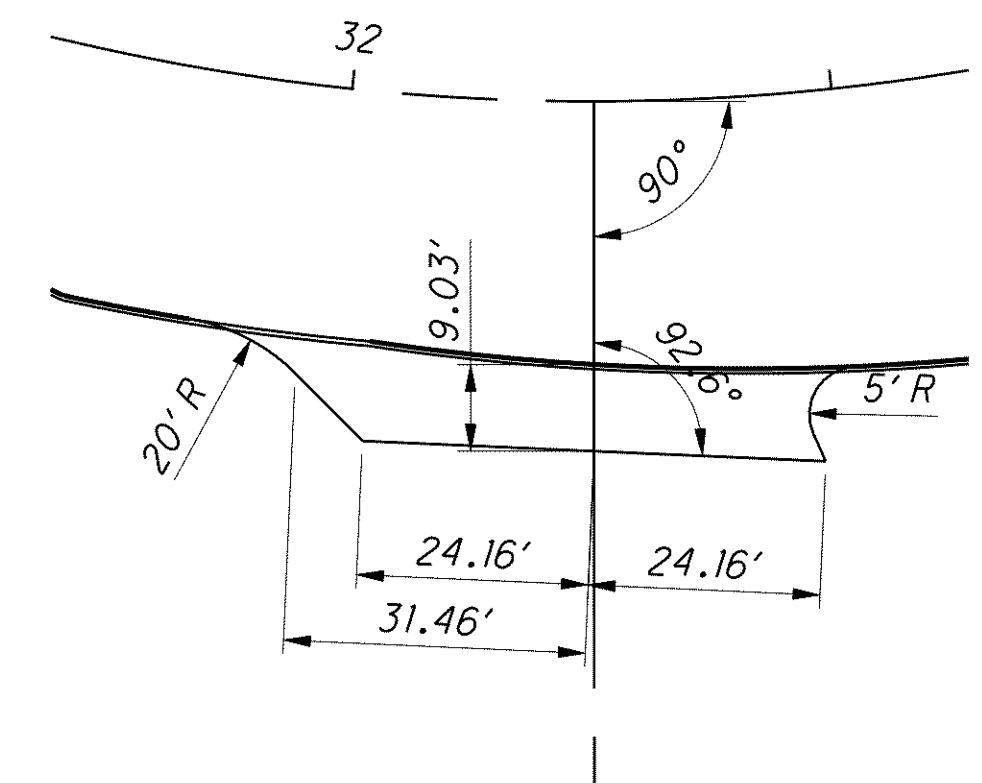
**DR2 & DR3**  
 STA. 117+04.11, LT. (VINE ST.)  
 CONCRETE RESIDENTIAL DRIVE\*  
 STA. 117+25.38, LT. (VINE ST.)  
 ASPHALT COMMERCIAL DRIVE



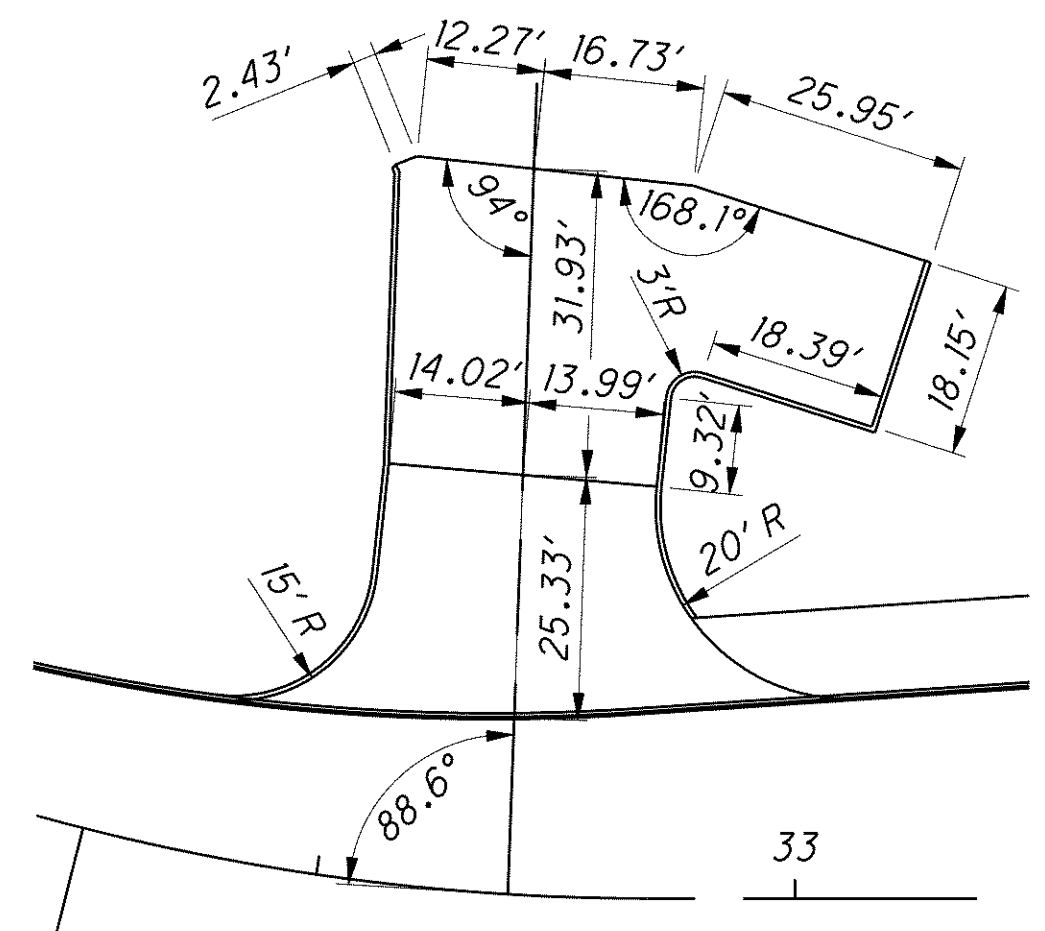
**DR4**  
 STA. 129+78.12, LT. (VINE ST.)  
 CONCRETE SERVICE DRIVE



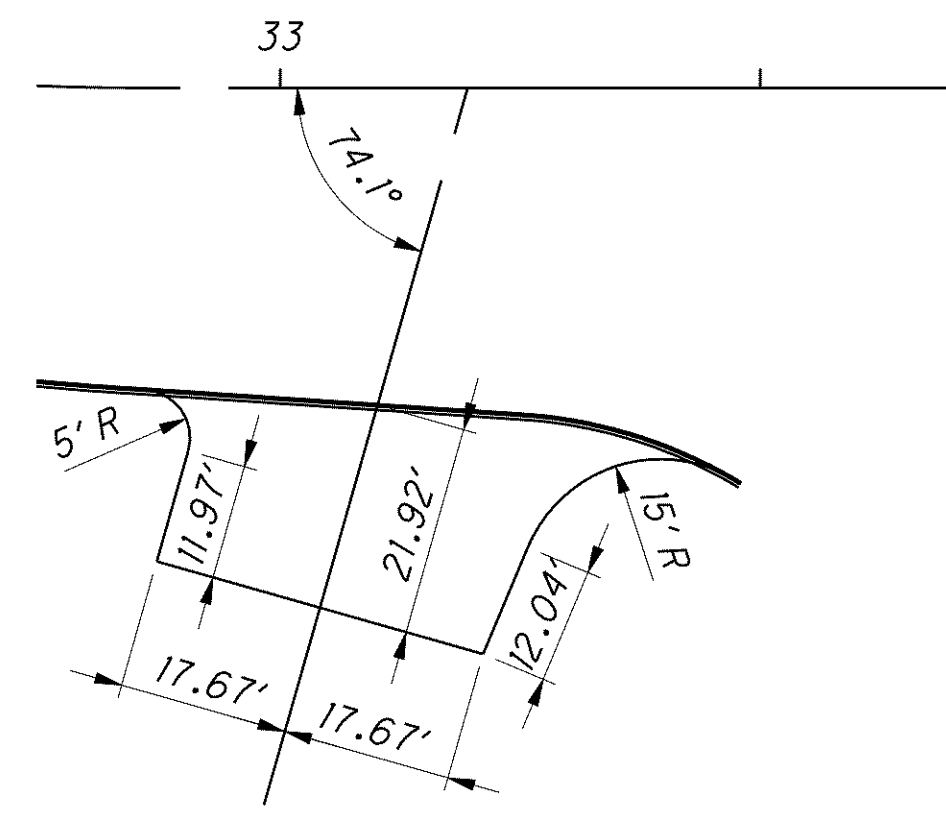
**DR5**  
 STA. 132+85.16, RT. (VINE ST.)  
 CONCRETE SERVICE STATION DRIVE



**DR6**  
 STA. 32+25.21, RT. (LAKELAND BLVD.)  
 CONCRETE SERVICE STATION DRIVE



**DR7**  
 STA. 32+70.07, LT. (LAKELAND BLVD.)  
 ASPHALT COMMERCIAL DRIVE



**DR8**  
 STA. 33+19.52, RT. (LAKELAND BLVD.)  
 CONCRETE SERVICE STATION DRIVE

**COMMERCIAL, SERVICE STATION AND SERVICE DRIVES**

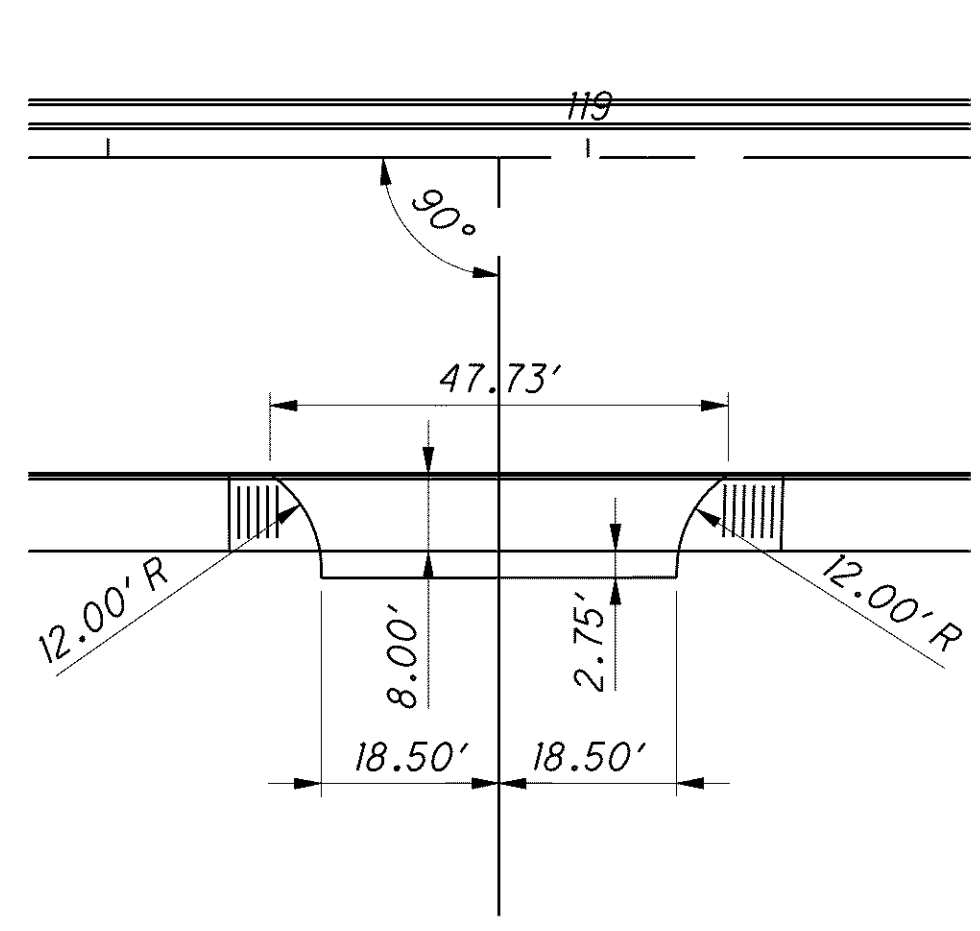
EXISTING ASPHALT DRIVE:  
 452 - 8" NON-REINFORCED CONCRETE PAVEMENT (APRON)  
 446 - 1 1/4" ASPHALT CONCRETE SURFACE COURSE, TYPE 1, PG 64-22 (DRIVEWAYS)  
 446 - 1 3/4" ASPHALT CONCRETE, INTERMEDIATE COURSE, TYPE 1, PG64-22  
 408 - PRIME COAT (0.4 GAL./SQ. YD.)  
 304 - 8" AGGREGATE BASE

EXISTING CONCRETE DRIVE:  
 452 - 8" NON-REINFORCED CONCRETE PAVEMENT (INCLUDING APRON)

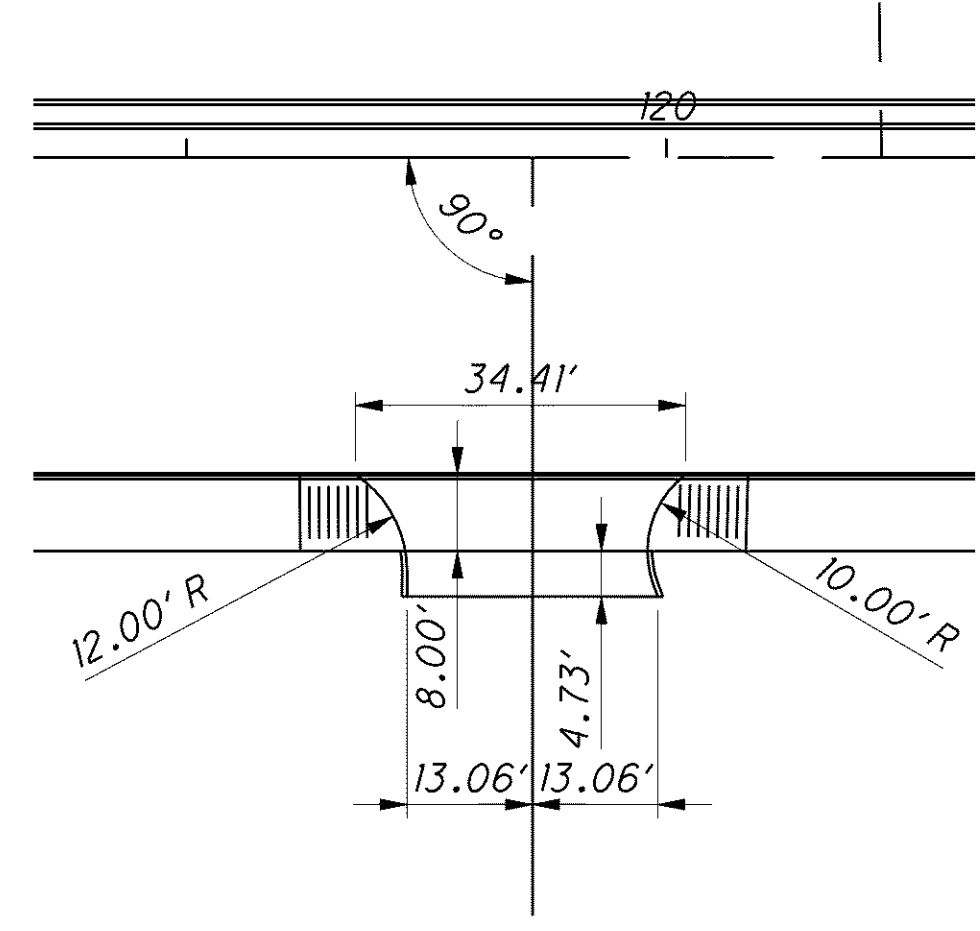
**RESIDENTIAL DRIVES**

EXISTING ASPHALT DRIVES:  
 452 - 6" NON-REINFORCED CONCRETE PAVEMENT (APRON)  
 301 - 2" ASPHALT CONCRETE BASE, PG64-22 (DRIVEWAYS)  
 408 - PRIME COAT (0.4 GAL./SQ. YD.)  
 304 - 6" AGGREGATE BASE

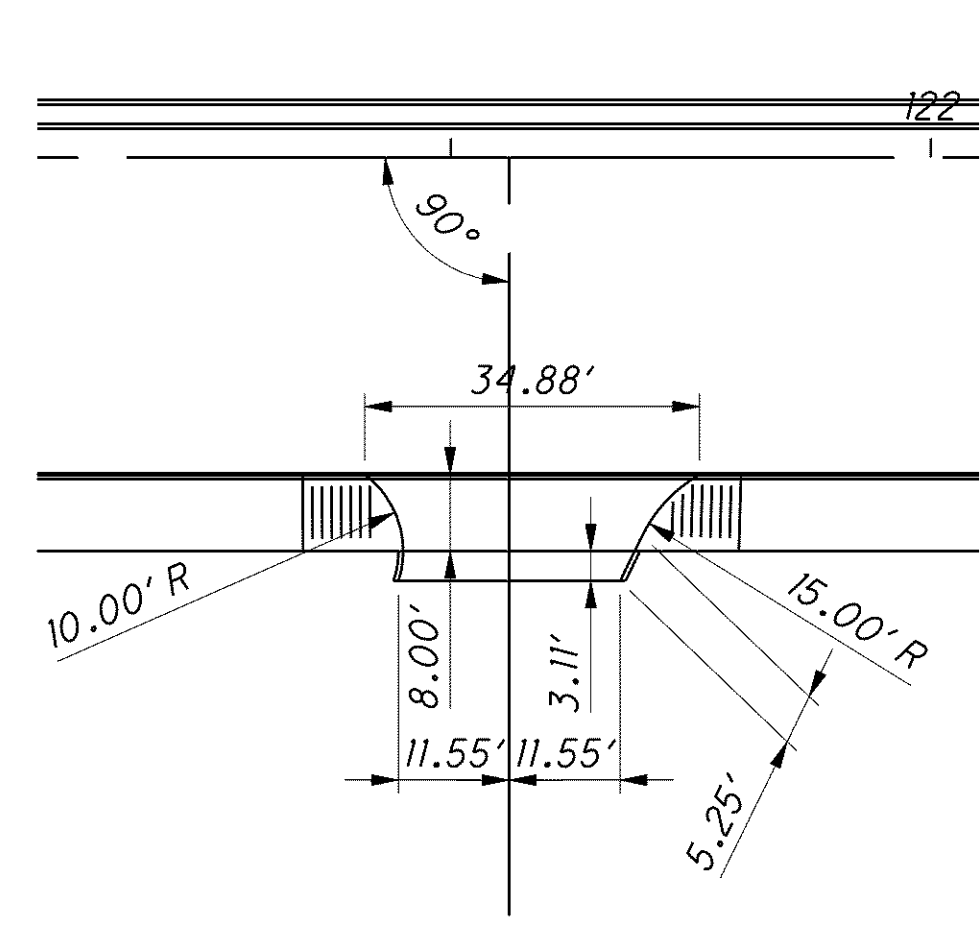
EXISTING CONCRETE DRIVES:  
 452 - 6" NON-REINFORCED CONCRETE PAVEMENT (INCLUDING APRON)



**DR9**  
 STA. 118+90.75, RT.  
 CONCRETE COMMERCIAL DRIVE



**DR10**  
 STA. 119+86.06, RT.  
 CONCRETE COMMERCIAL DRIVE



**DR11**  
 STA. 121+56.08, RT.  
 CONCRETE COMMERCIAL DRIVE

g:\project\lak\13486\roadway\sheets\13486GD200.dgn 6/23/2008 1:01:59 PM jmadaria