

SEEDING	
END WIDTH	SQ. YDS.
141	
56	
290	
48	
431	

CONSTRUCTION

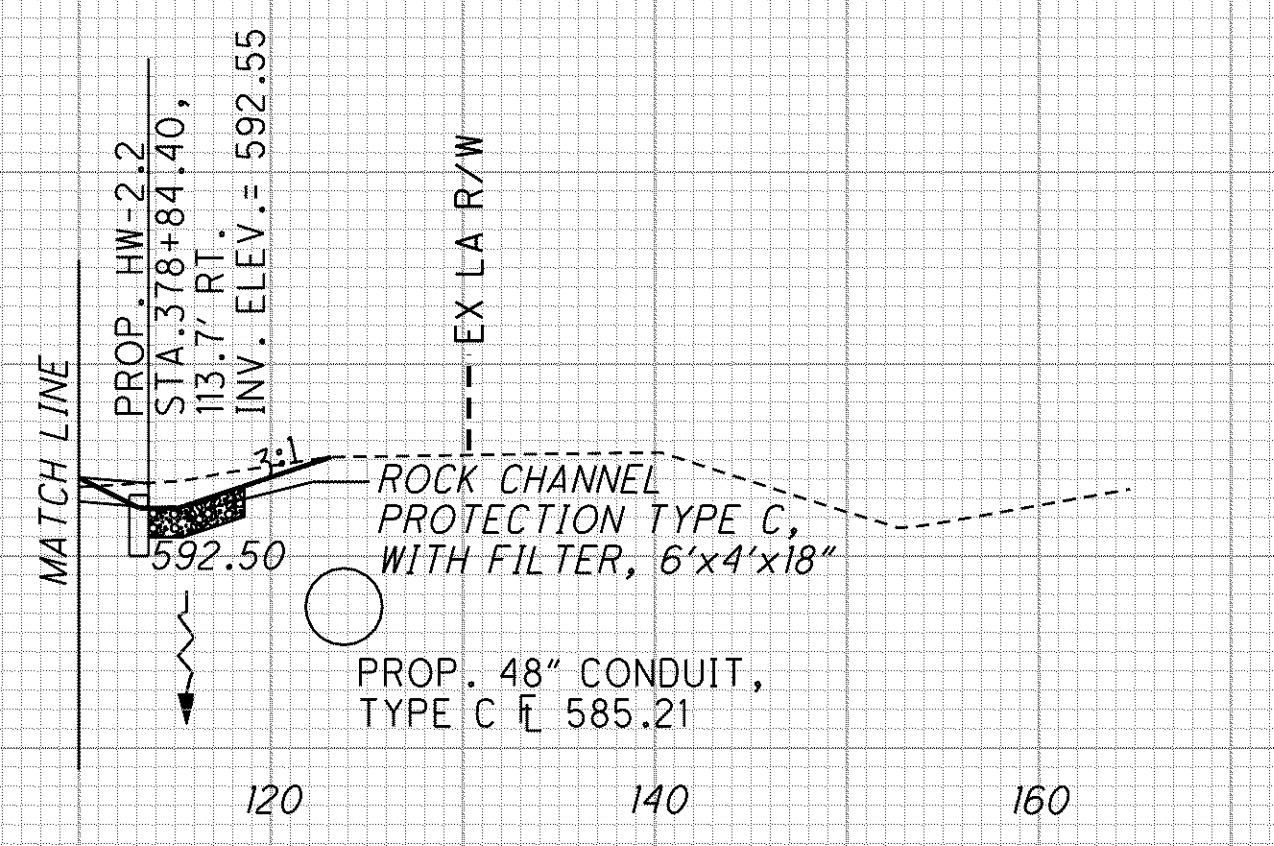
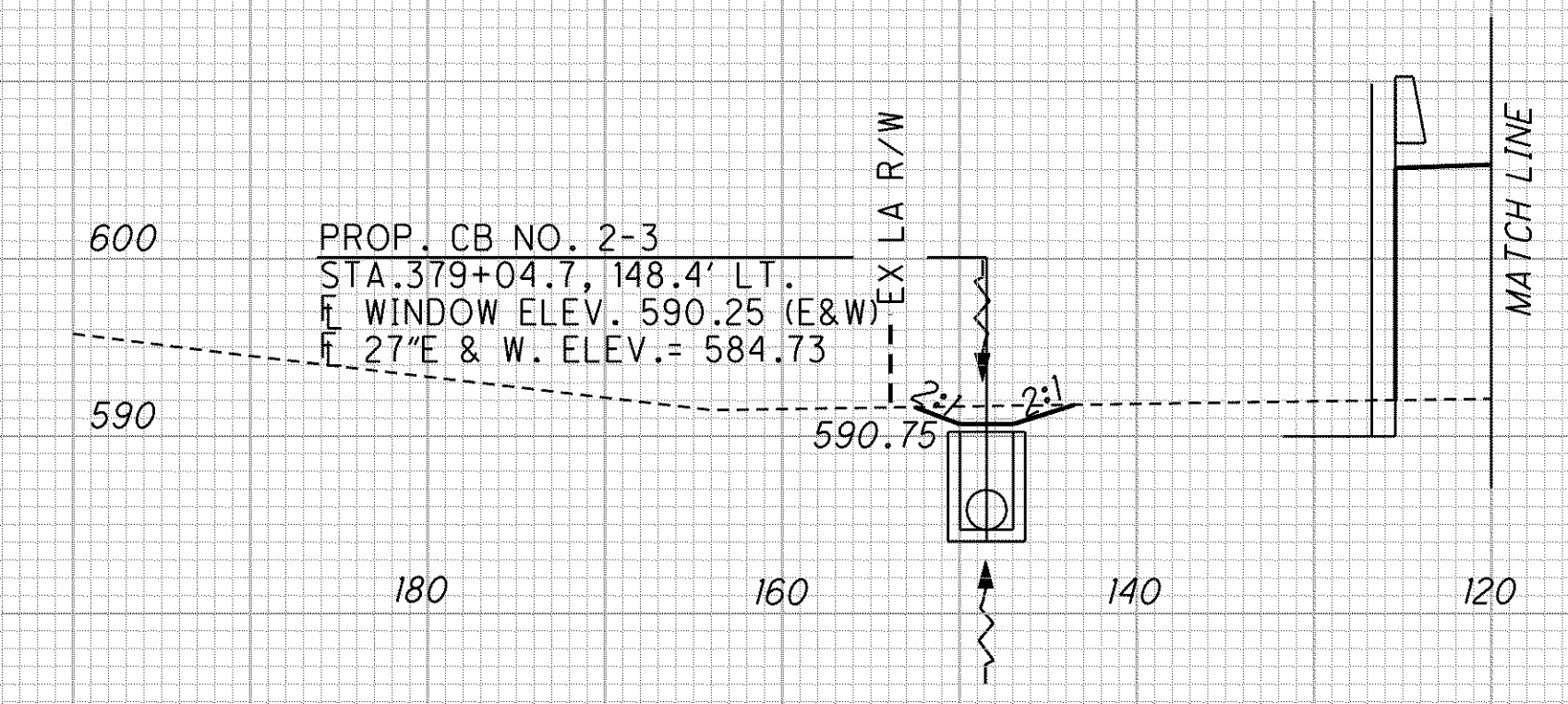
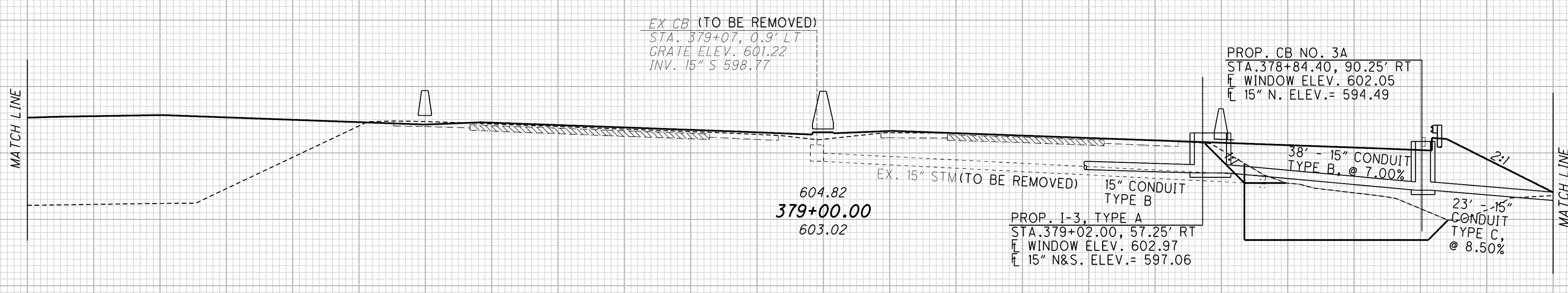
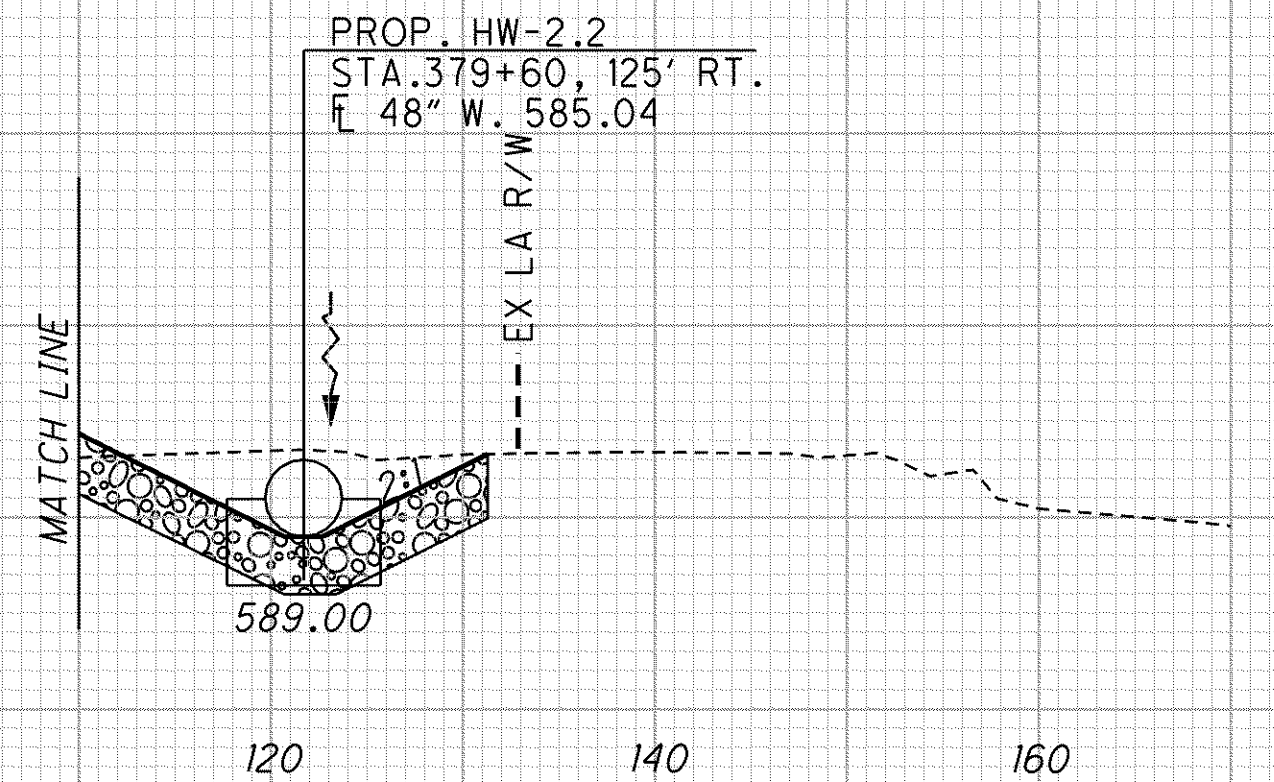
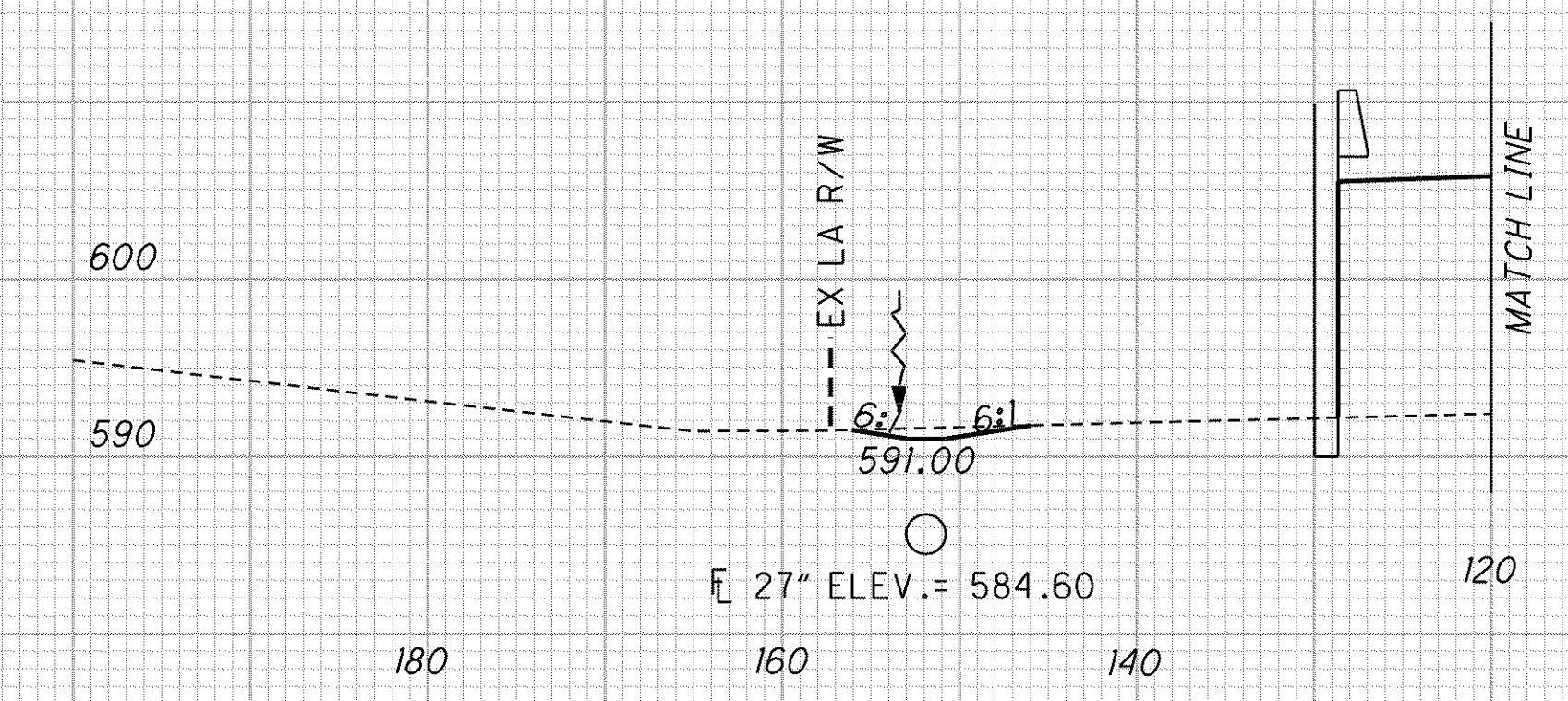
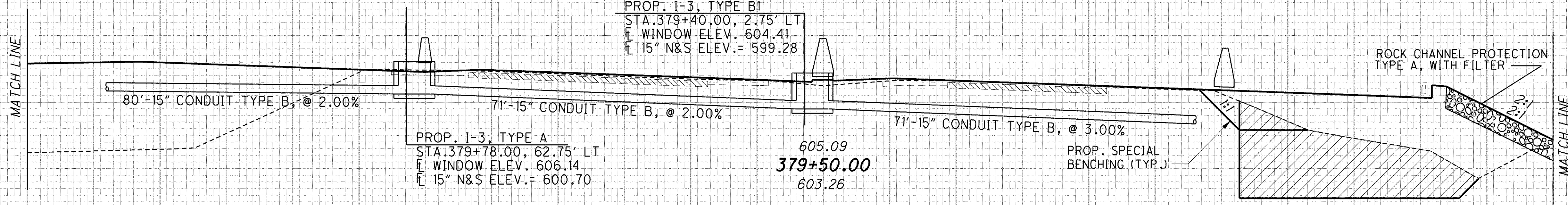
ITEM 202 PAVEMENT REMOVED  
 UNDERCUT

NOTES:  
 SPECIAL BENCHING LIMITS SHOWN ARE APPROXIMATE. FIELD ENGINEER SHALL DETERMINE ACTUAL DIMENSIONS AND LOCATIONS PER ODOT GEOTECHNICAL BULLETIN GB2.  
 CUT/FILL TOTALS INCLUDE SPECIAL BENCHING. PORTION ATTRIBUTED TO UNDERCUT SHOWN IN [ ]. PORTION ATTRIBUTED TO SPECIAL BENCHING SHOWN IN < >.

END AREA		VOLUME		CALCULATED DES	CHECKED PSB
CUT	FILL	CUT	FILL		
		88	1069		
		[298]	<38>		
		114	1940		
		[469]	<52>		
		35	1026		
		[208]	<18>		
		69	1877		
		[370]	<44>		
		183	3817		
				365	1679

CROSS SECTIONS  
 STA. 379+00 TO STA. 379+93.55

LAK-2-3.32



C:\Project\lak\13486\roadway\sheets\13486x001.dgn 7/9/2008 3:54:50 PM pberdis