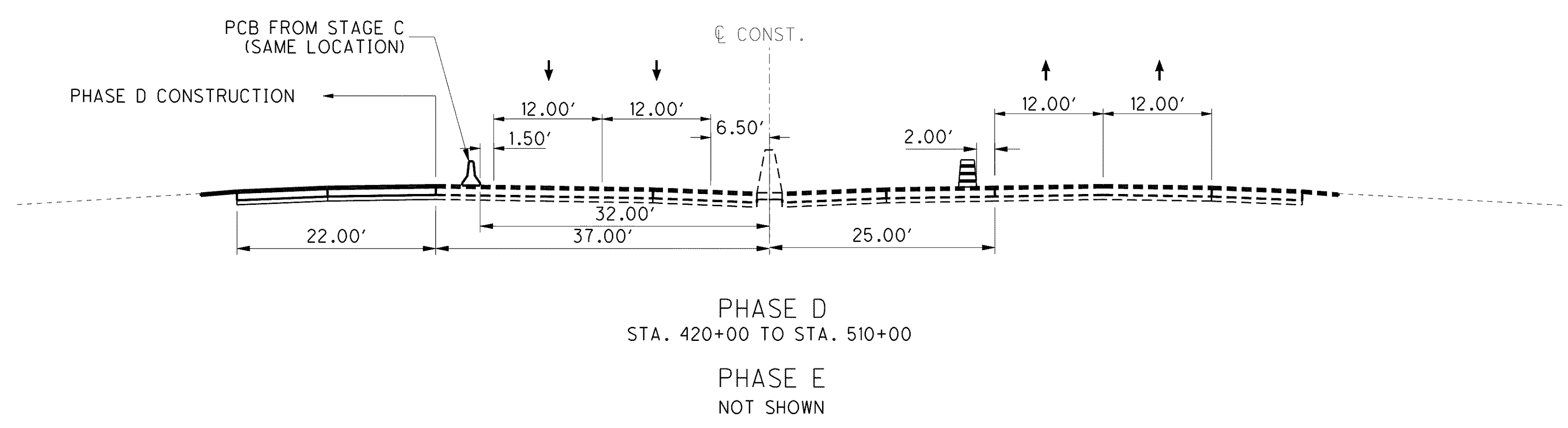
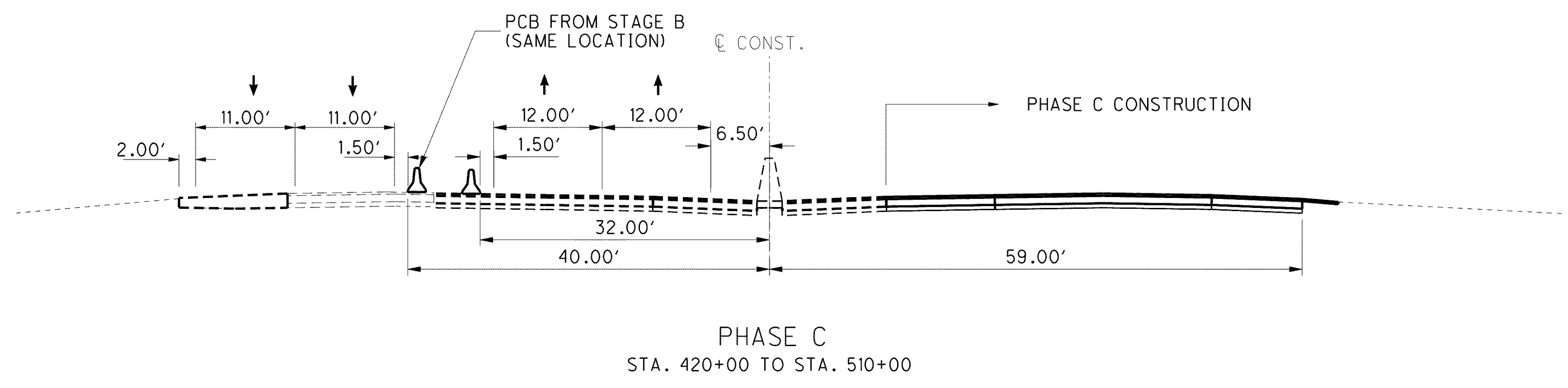
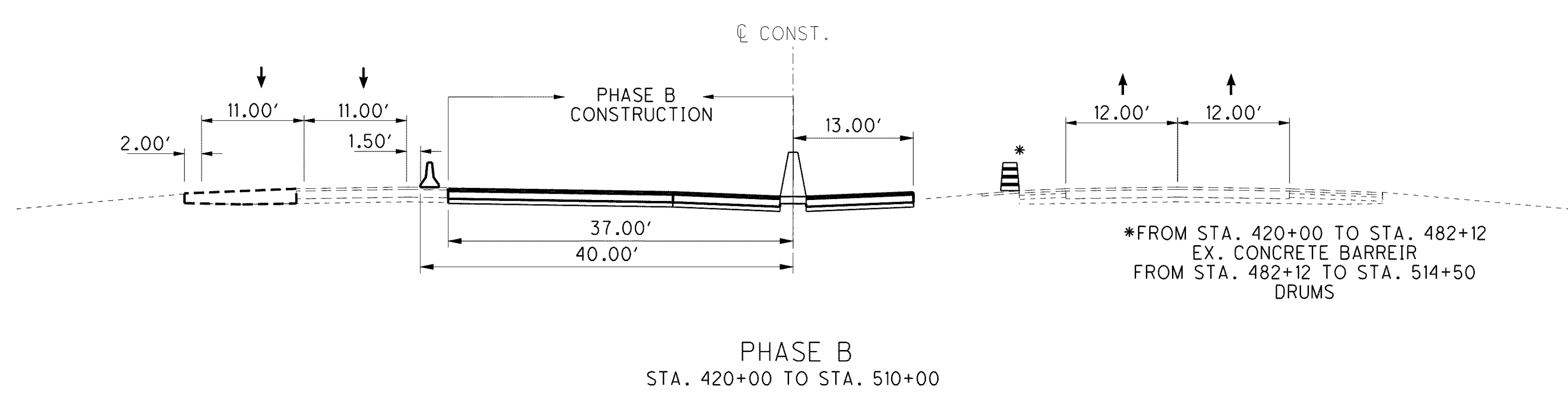
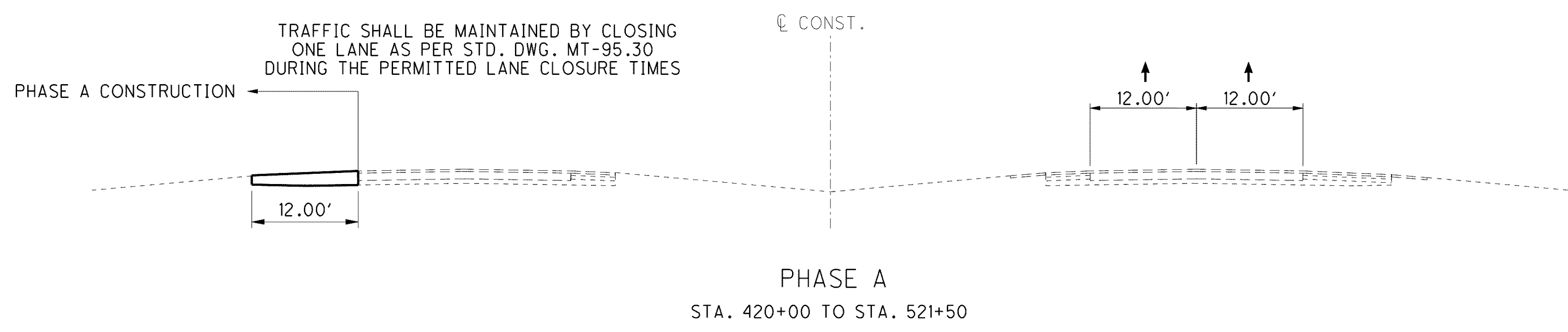


FOR SEQUENCE OF CONSTRUCTION NOTE, SEE SHEET 54

FOR BRIDGE PHASING, SEE DETAILS SHEETS 1272 TO 1616

FOR RAMP AND SIDE ROAD SEQUENCE OF CONSTRUCTION, SEE THE MAINTENANCE OF TRAFFIC NOTES SHEETS 47 TO 56

FOR PAVEMENT UNDER PROPOSED CONCRETE MEDIAN BARRIER SEE DETAIL C SHEET 14



g:\project\lak\13486\mot\sheet\13486MH001.dgn 6/23/2008 10:35:27 AM jmaderia