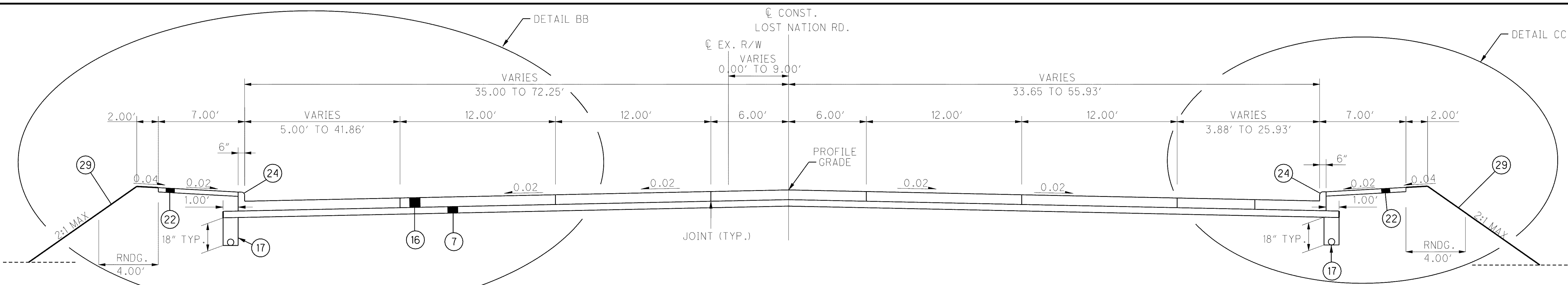
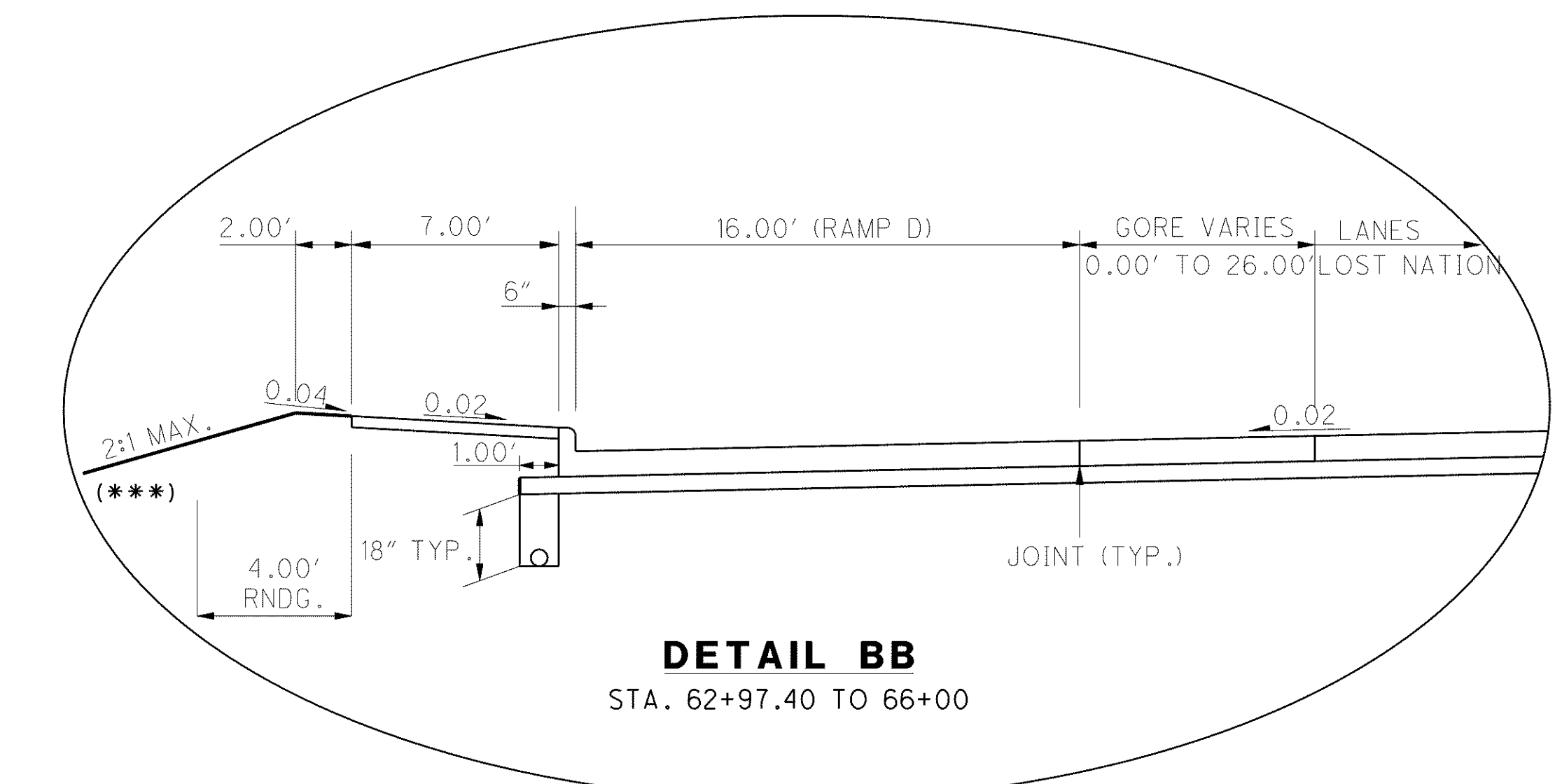


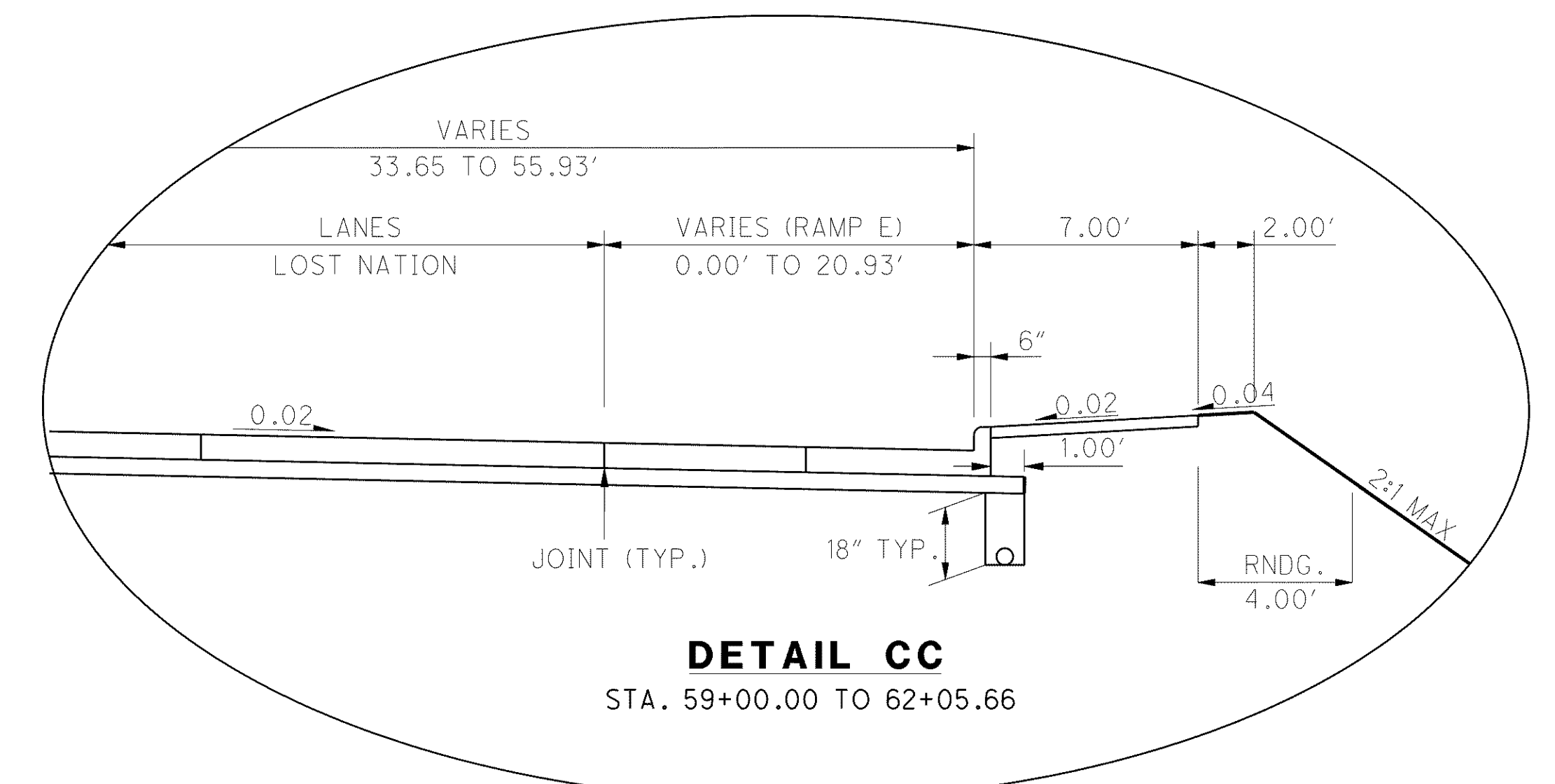
o:\project\lak\13486\roadway\sheet\13486YP310.dgn 6/24/2008 9:38:19 AM jmadaria



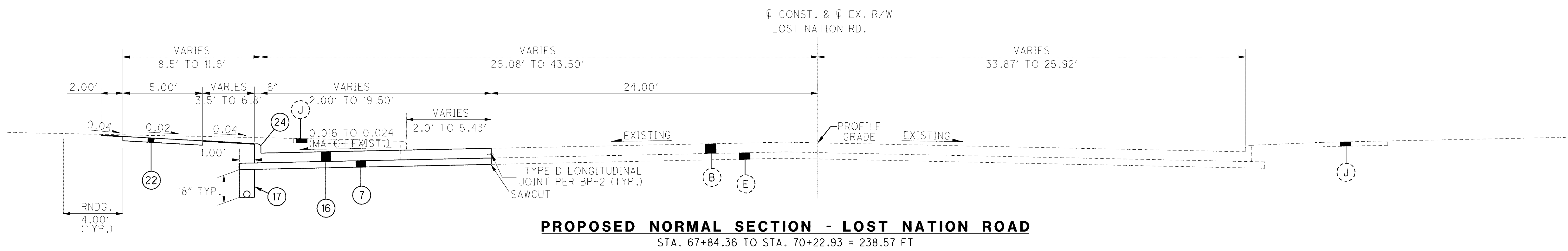
PROPOSED NORMAL SECTION - LOST NATION ROAD
 STA. 59+00.00 TO STA. 67+84.36 = 884.36 FT



DETAIL BB
 STA. 62+97.40 TO 66+00



DETAIL CC
 STA. 59+00.00 TO 62+05.66



PROPOSED NORMAL SECTION - LOST NATION ROAD
 STA. 67+84.36 TO STA. 70+22.93 = 238.57 FT

TYPICAL SECTIONS - SIDE ROADS
 LOST NATION ROAD & ST. CLAIR ST.

LAK-2-3.32

NOTE: FOR EXISTING LEGEND, SEE SHEET NO. 11
 FOR PROPOSED LEGEND, SEE SHEET NO. 14