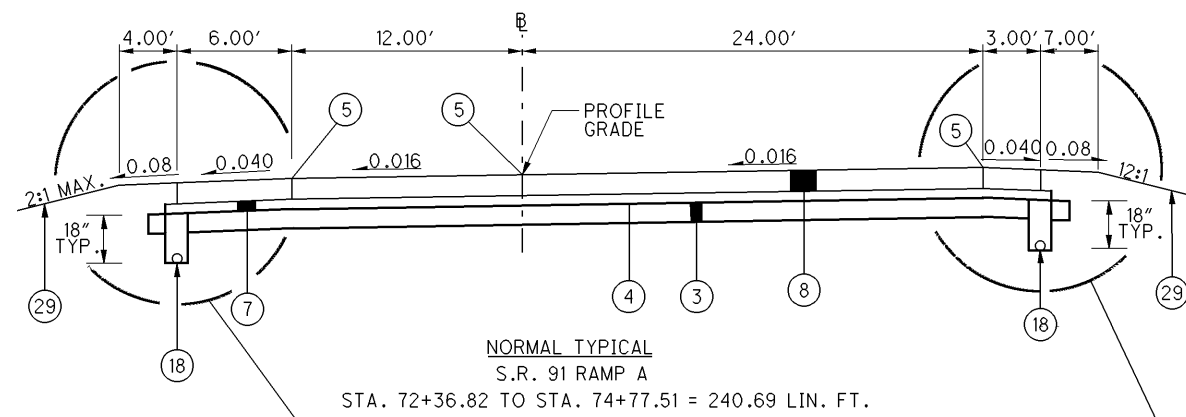


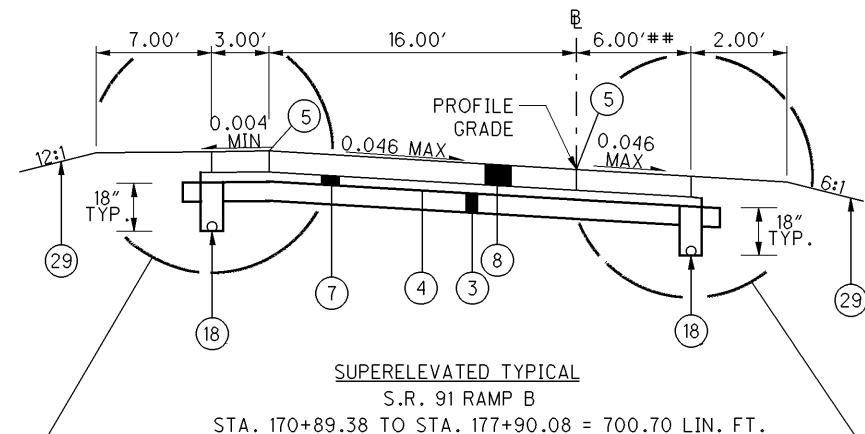
I:\PROJECTS\Pid13486\Addendum\Alternate_bid\13486GYP-R91.dgn 18-NOV-2008 2:10PM jarmovse



NORMAL TYPICAL
S.R. 91 RAMP A
STA. 72+36.82 TO STA. 74+77.51 = 240.69 LIN. FT.

SEE EDGE DETAIL,
SHEET 29B

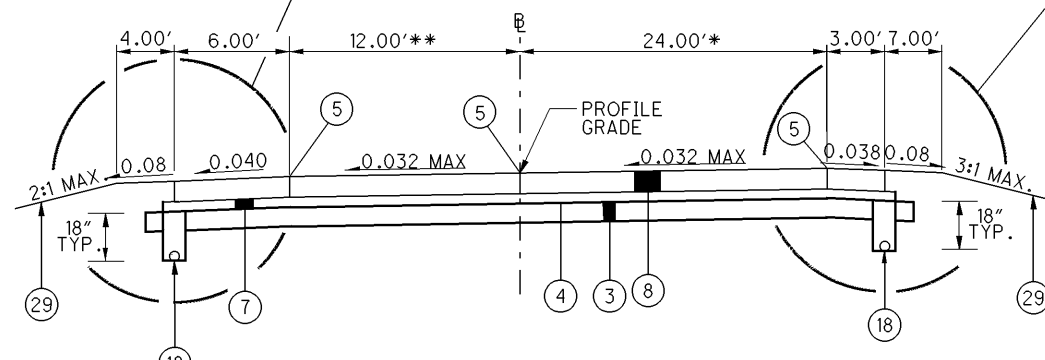
SEE EDGE DETAIL,
SHEET 29B



SUPERELEVATED TYPICAL
S.R. 91 RAMP B
STA. 170+89.38 TO STA. 177+90.08 = 700.70 LIN. FT.

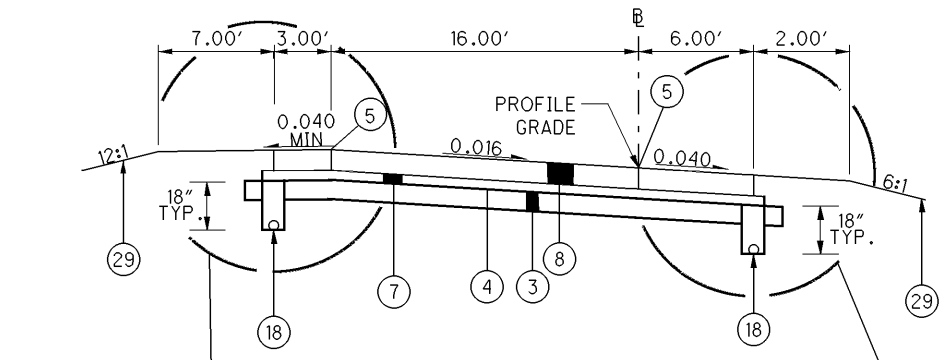
** 6.00' WIDTH FROM STA. 170+89.38 TO STA. 177+40.08
VARIES 6.00' TO 8.00' FROM STA. 177+40.08 TO STA. 177+90.08

SEE EDGE DETAIL,
SHEET 29B



NORMAL TYPICAL
S.R. 91 RAMP A
STA. 74+77.51 TO STA. 76+03.86 = 126.36 LIN. FT.

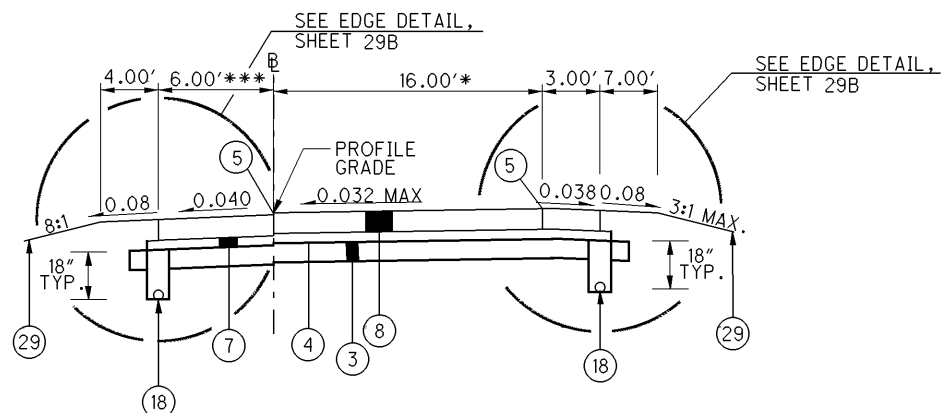
- * 24.00' WIDTH FROM STA. 74+77.51 TO STA. 75+53.86
VARIES 24.00' TO 16.00' FROM STA. 75+53.86 TO STA. 76+03.86
- ** 12.00' WIDTH FROM STA. 74+77.51 TO STA. 75+53.86
VARIES 12.00' TO 0.00' FROM STA. 75+53.86 TO STA. 76+03.86



NORMAL TYPICAL
S.R. 91 RAMP B
STA. 169+24.81 TO STA. 170+89.38 = 164.57 LIN. FT.

SEE EDGE DETAIL,
SHEET 29B

SEE EDGE DETAIL,
SHEET 29B



NORMAL TYPICAL
S.R. 91 RAMP A
STA. 76+03.86 TO STA. 84+38.98 = 835.12 LIN. FT.

- * 16.00' WIDTH FROM STA. 76+03.86 TO STA. 82+64.51
VARIES 16.00' TO 12.00' FROM STA. 82+64.51 TO STA. 84+38.98
- *** VARIES 6.00' TO 8.00' FROM STA. 79+31.61 TO STA. 79+81.61
8.00' WIDTH FROM STA. 79+81.61 TO STA. 84+38.98

FOR EXISTING LEGEND, SEE SHEET NO. 11
FOR PROPOSED LEGEND SEE SHEET NO. 29B

(CONCRETE ALTERNATIVE)

TYPICAL SECTIONS
S.R. 91 RAMPS

LAK-2-3.32

29Q
1679