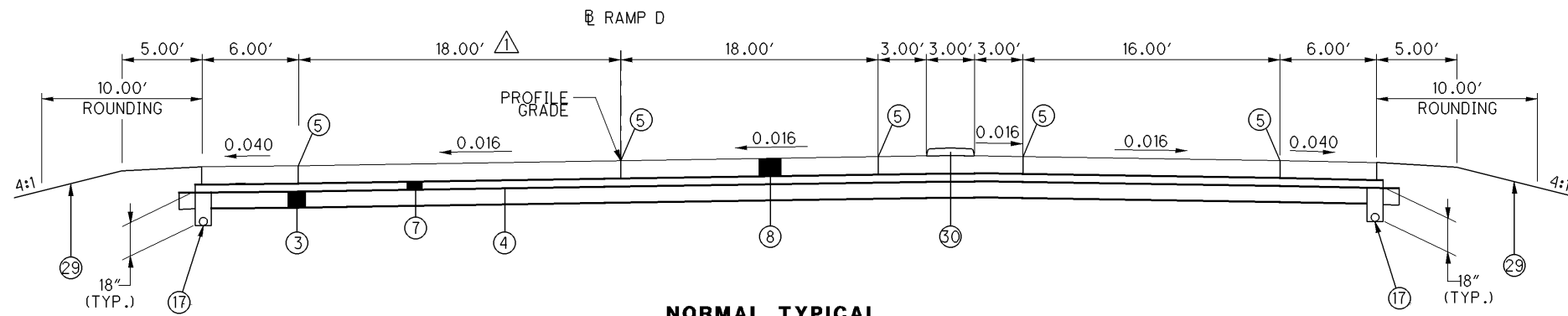
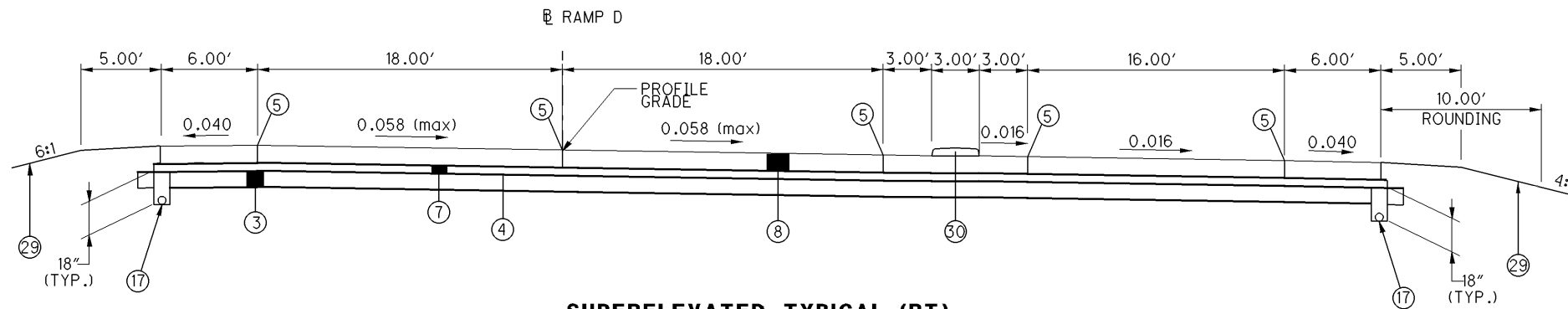


I:\PROJECTS\Pid13486\Addendum\Alternate bid\13486GY200_VINE2.dgn 25-NOV-2008 8:09AM jgrmvs



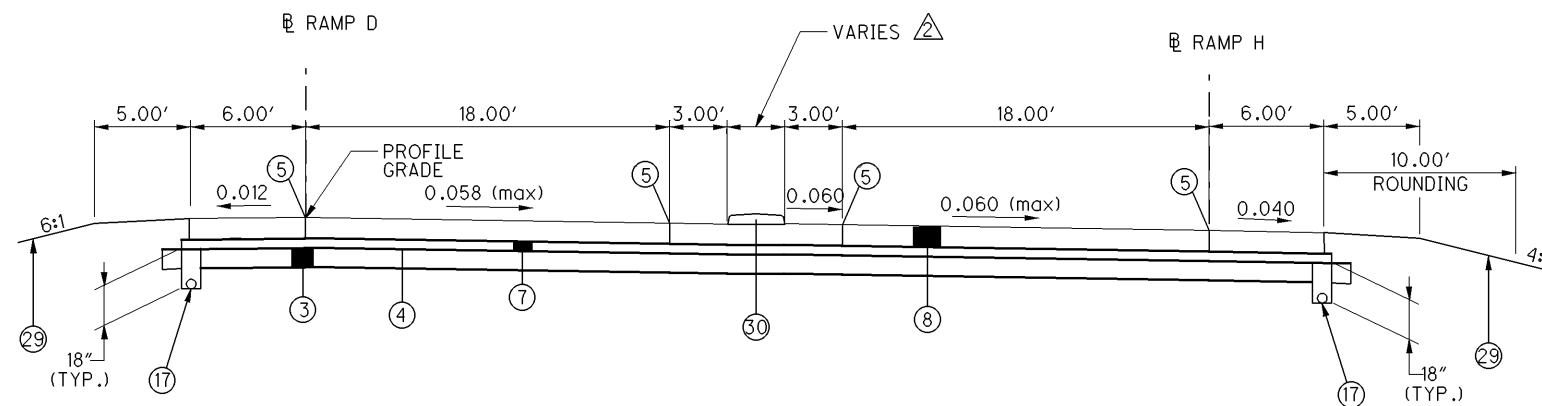
NORMAL TYPICAL

VINE RAMP D
STA. 310+87.40 TO STA. 311+96.82 = 109.42 FT.



SUPERELEVATED TYPICAL (RT)

VINE RAMP D
STA. 308+37.95 TO STA. 310+87.40 = 249.45 FT.



SUPERELEVATED TYPICAL (RT)

VINE RAMP D
STA. 311+96.82 TO STA. 316+55.40 = 458.58 FT.

SUPERELEVATED TYPICAL

VINE RAMP H
STA. 318+41.30 TO STA. 320+56.54 = 215.24 FT.

- VARIES 18.00' TO 0.00' FROM STA. 311+67.42 TO STA. 312+67.42
- VARIES 3.00' TO 12.00' FROM STA. 313+28.20 TO STA. 316+07.27 (RAMP D)

PROPOSED ITEM LEGEND: SEE SHEET 29A

(CONCRETE ALTERNATIVE)

TYPICAL SECTIONS VINE ST. RAMPS

LAK-2-3.32

29F
1679