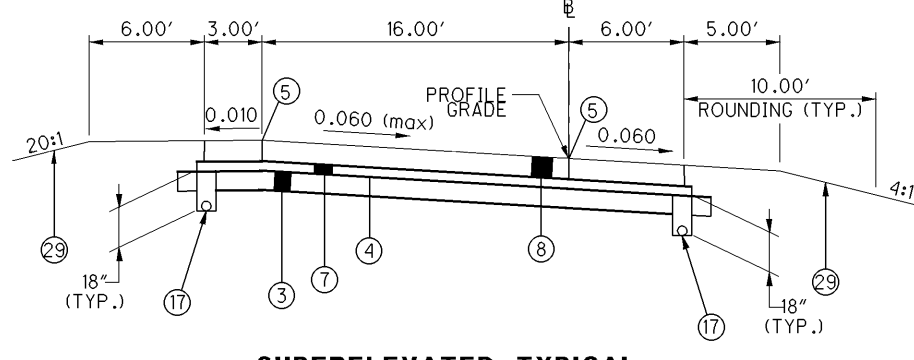
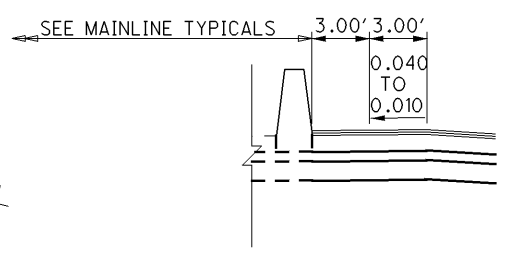


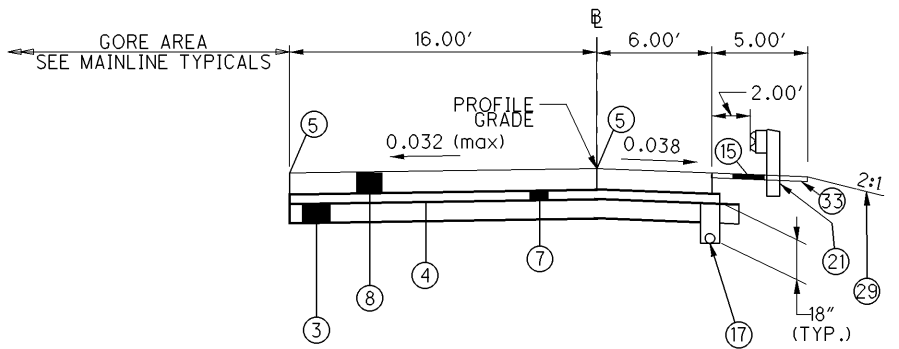
NORMAL TYPICAL
VINE RAMP A
STA. 316+29.05 TO STA. 318+89.41 = 260.36 FT.



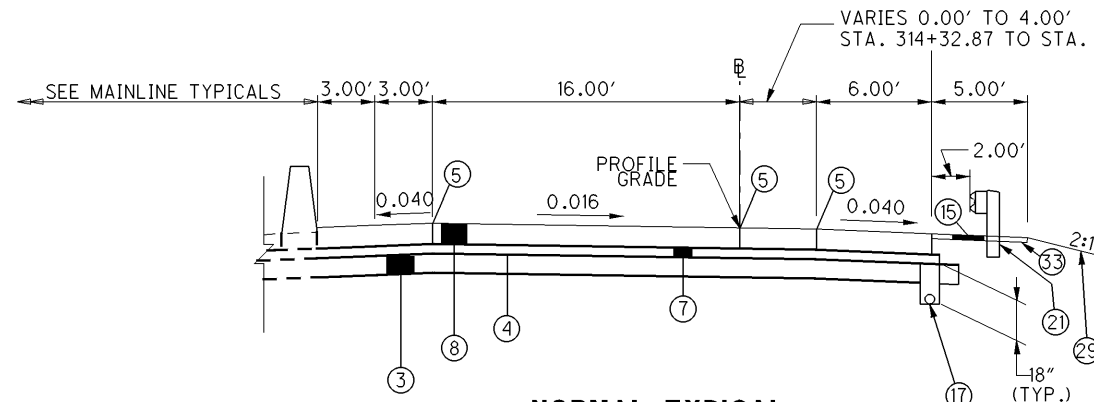
SUPERELEVATED TYPICAL
VINE RAMP A
STA. 318+89.41 TO STA. 324+06.07 = 516.66 FT.



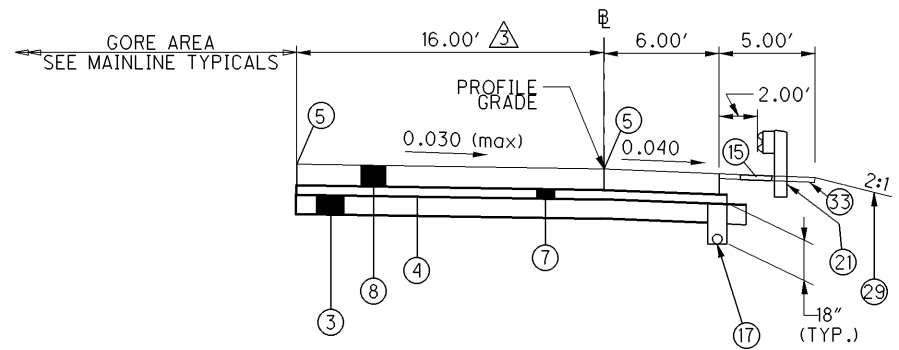
DETAIL A
VINE RAMP E
STA. 314+82.87 TO STA. 316+73.74 = 190.87 FT.
(END BARRIER @ STA. 316+73.74 LT.)



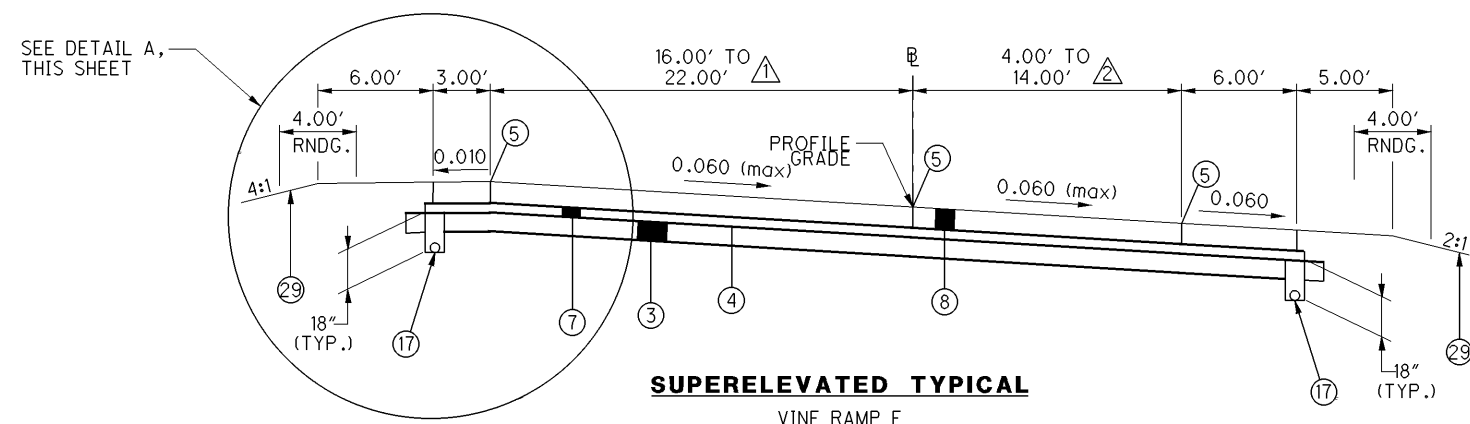
SUPERELEVATED TYPICAL (LT)
VINE RAMP E
STA. 299+45.98 TO STA. 311+06.68 = 1160.70 FT.



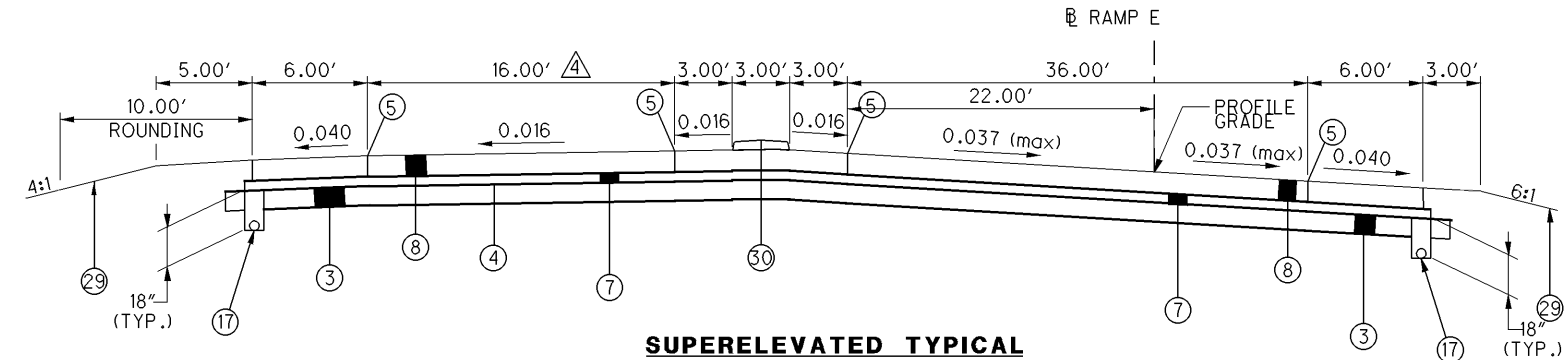
NORMAL TYPICAL
VINE RAMP E
STA. 311+06.68 TO STA. 311+20.35 = 13.67 FT.
STA. 314+10.22 TO STA. 314+82.87 = 72.65 FT.



SUPERELEVATED TYPICAL (RT)
VINE RAMP E
STA. 297+41.77 TO STA. 299+45.98 = 204.21 FT.



SUPERELEVATED TYPICAL
VINE RAMP E
STA. 314+82.87 TO STA. 320+29.39 = 546.52 FT.



SUPERELEVATED TYPICAL
VINE RAMP E
STA. 320+29.39 TO STA. 321+26.63 = 97.24 FT.

- ▲ VARIES STA. 315+35.00 TO STA. 317+10.00
- ▲ VARIES STA. 317+32.87 TO STA. 318+42.87
- ▲ VARIES 12.00' TO 16.00' FROM STA. 297+49.24 TO STA. 299+80.48
- ▲ VARIES 16.00' TO 25.00' FROM STA. 320+37.80 TO STA. 320+70.85

PROPOSED ITEM LEGEND: SEE SHEET 29A

I:\PROJECTS\Pid13486\Addendum\Alternate bid\13486GY200_VINE1.dgn 25-NOV-2008 8:09AM jirmovse