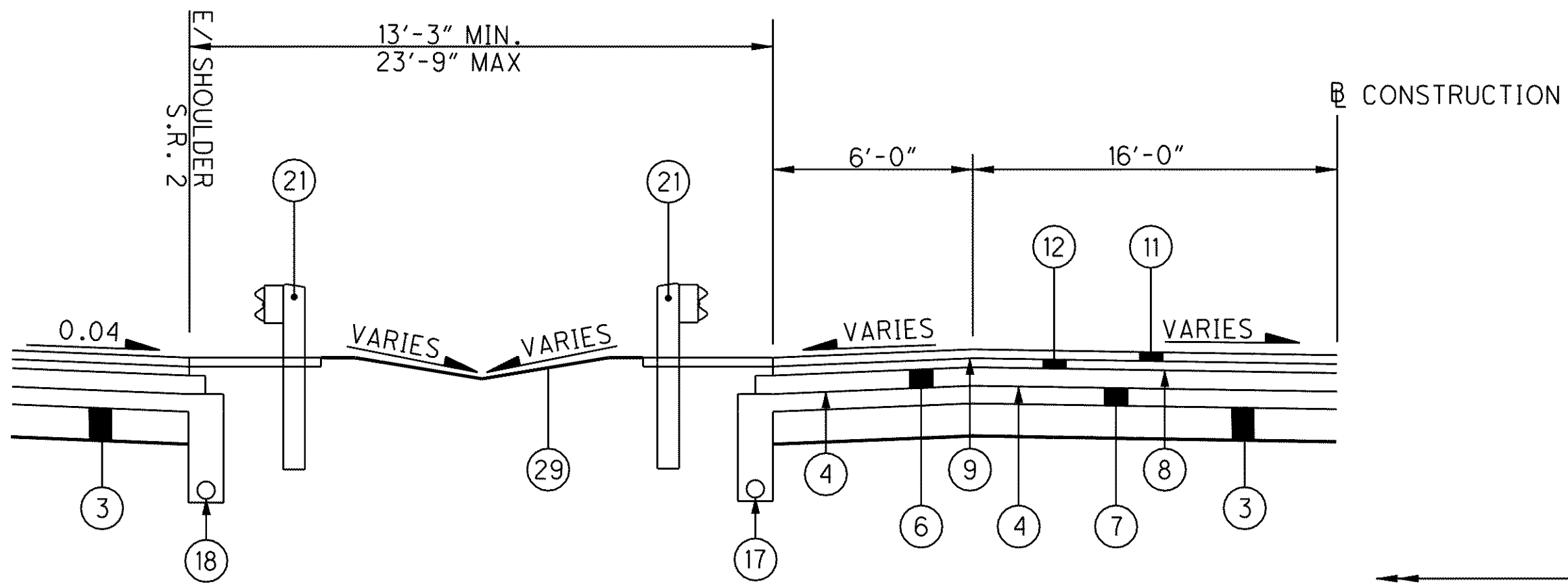


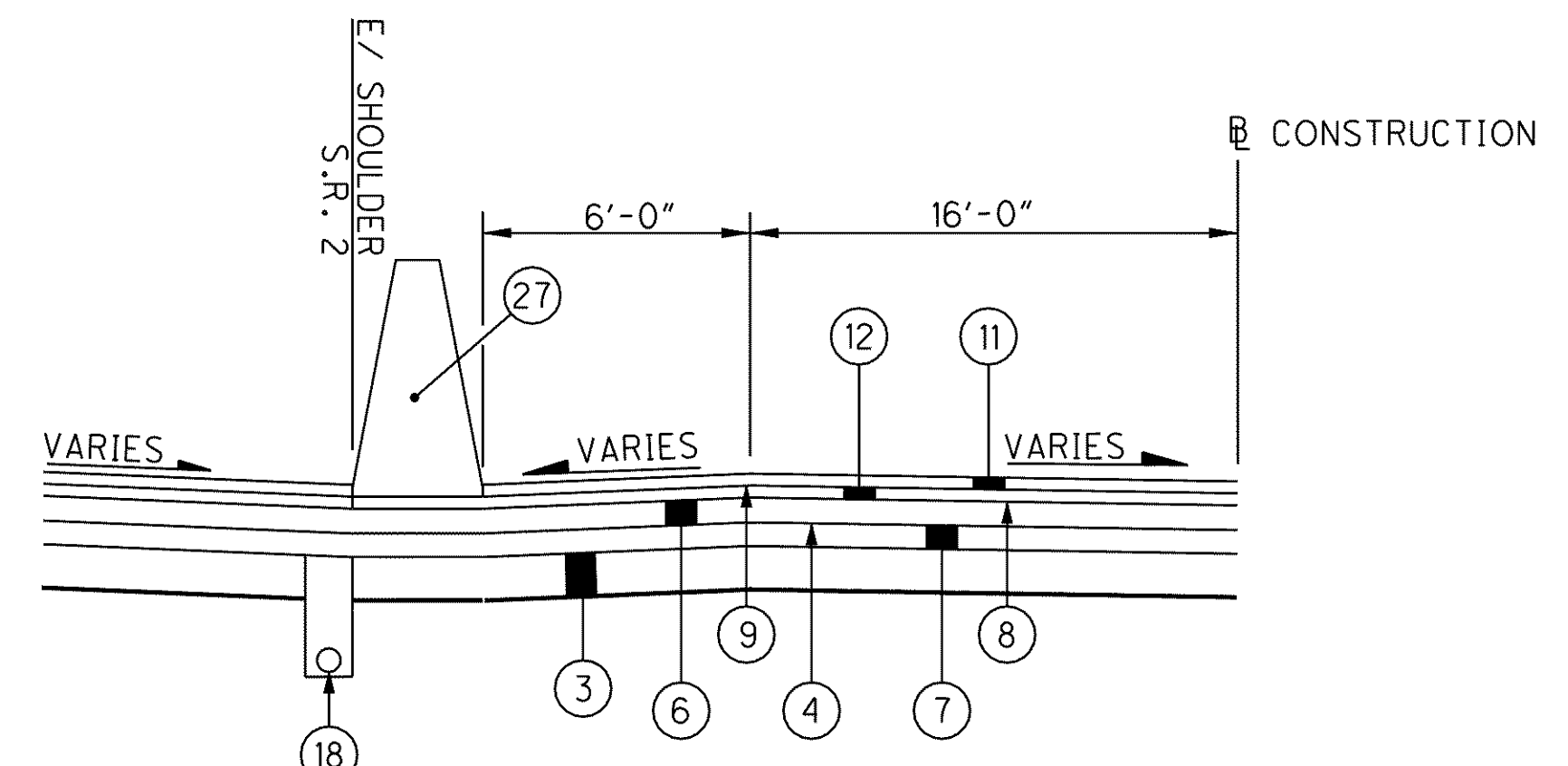
**SINGLE SLOPE BARRIER, TYPE D,
DETAIL "S"**
DETAIL APPLIES

S.R. 306 RAMP K
STA. 256+06.64 TO STA. 256+77.66



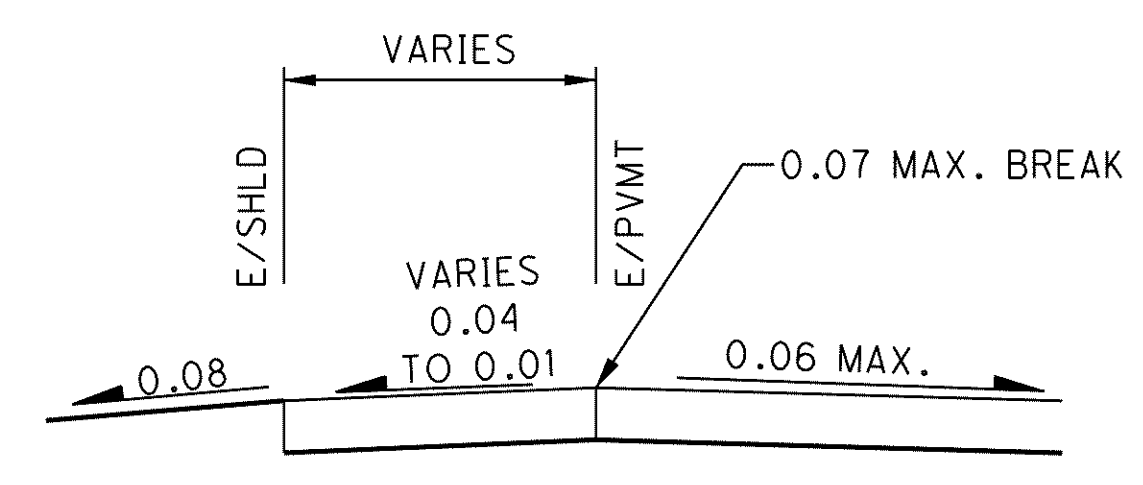
SHOULDER DETAIL "T"
DETAIL APPLIES

S.R. 306 RAMP K
STA. 256+77.66 TO STA. 257+35.46



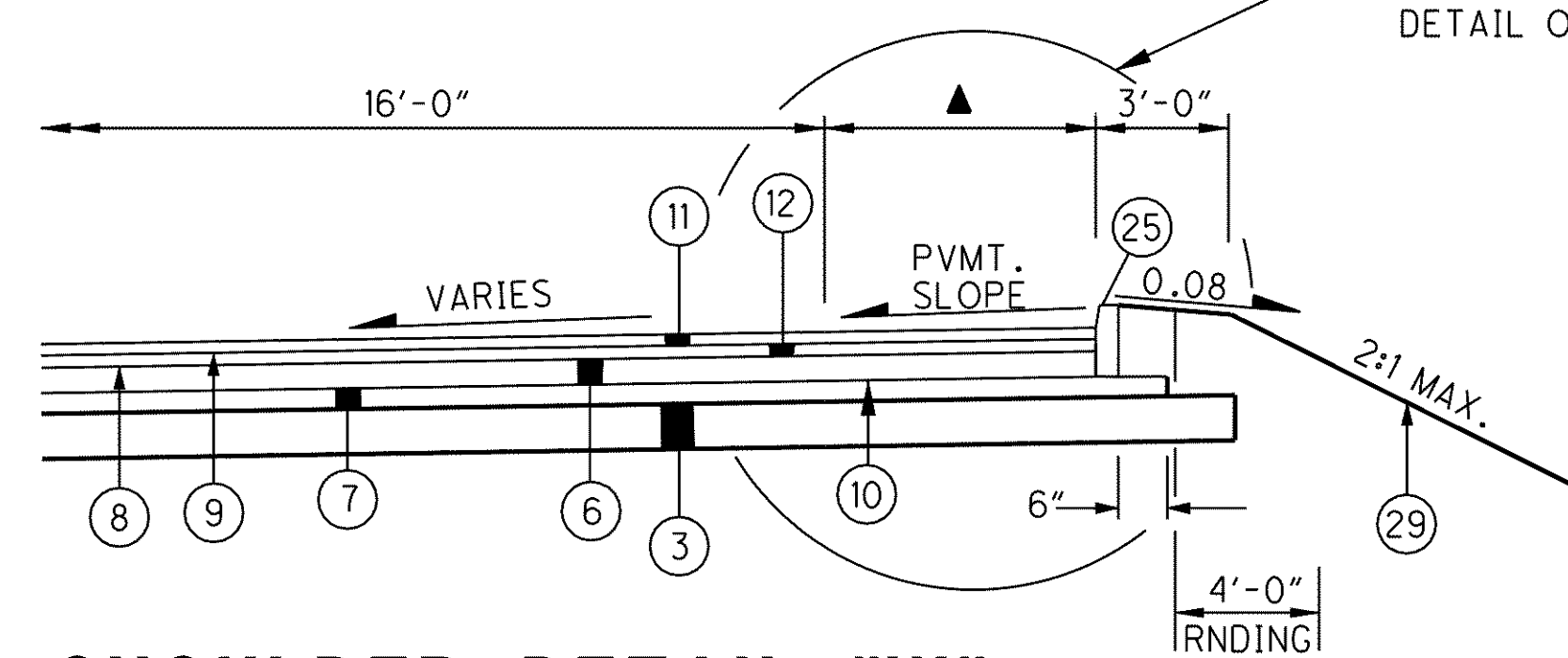
SHOULDER DETAIL "Y"
DETAIL APPLIES

S.R. 306 RAMP K
STA. 252+69.47 TO STA. 256+06.64



SHOULDER DETAIL "Z"
N.T.S.

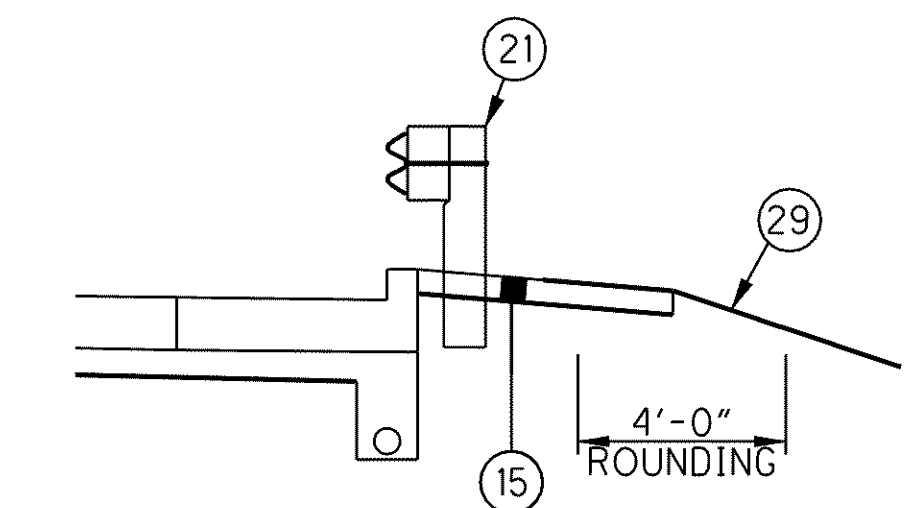
LANE SUPERELEVATION 0.06 MAX (W/O BARRIER)



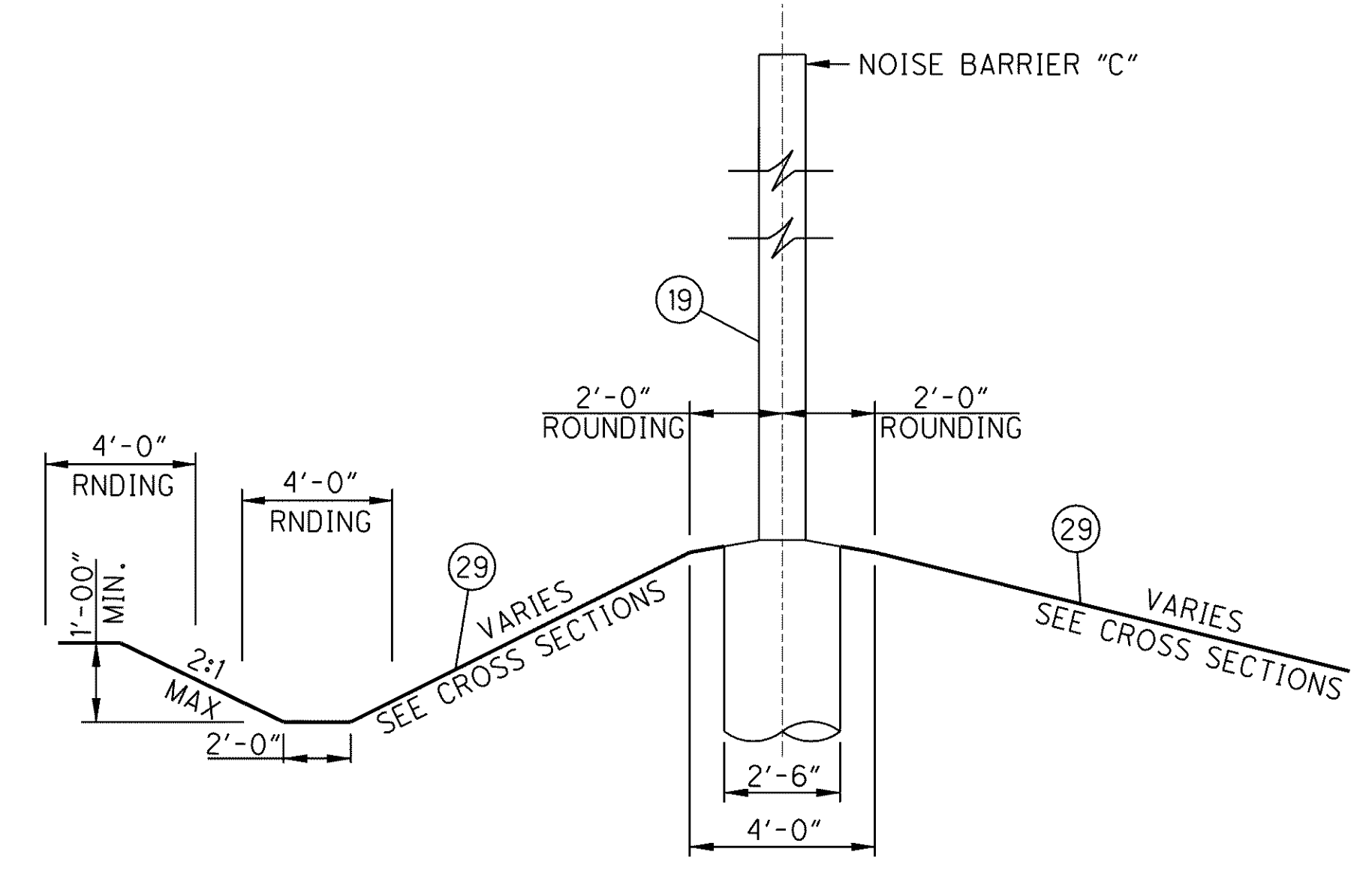
SHOULDER DETAIL "W"
DETAIL APPLIES

- Δ S.R. 306 RAMP I
STA. 69+80.00 TO STA. 71+45.26 RT. (▲=12'-0")
STA. 70+21.81 TO STA. 71+45.26 LT. (▲=6'-0")
- S.R. 306 RAMP K
STA. 263+36.19 TO STA. 263+34.22 RT. (▲=12'-0")
STA. 263+03.41 TO STA. 263+34.22 LT. (▲=6'-0")
- S.R. 306 RAMP N
STA. 361+68.24 TO STA. 362+60.96 RT. (▲=9'-0")
STA. 361+68.24 TO STA. 362+82.74 LT. (▲=6'-0")
- Δ S.R. 306 RAMP O
STA. 170+25.26 TO STA. 171+28.80 RT. (▲=12'-0")
STA. 170+25.26 TO STA. 170+30.53 LT. (▲=6'-0")

FOR EXISTING LEGEND, SEE SHEET 11
FOR PROPOSED LEGEND, SEE SHEET 14
Δ RAMP S I AND O ARE SHOWN IN THE DIRECTION OF TRAVEL, NOT THE DIRECTION OF INCREASING STATION.

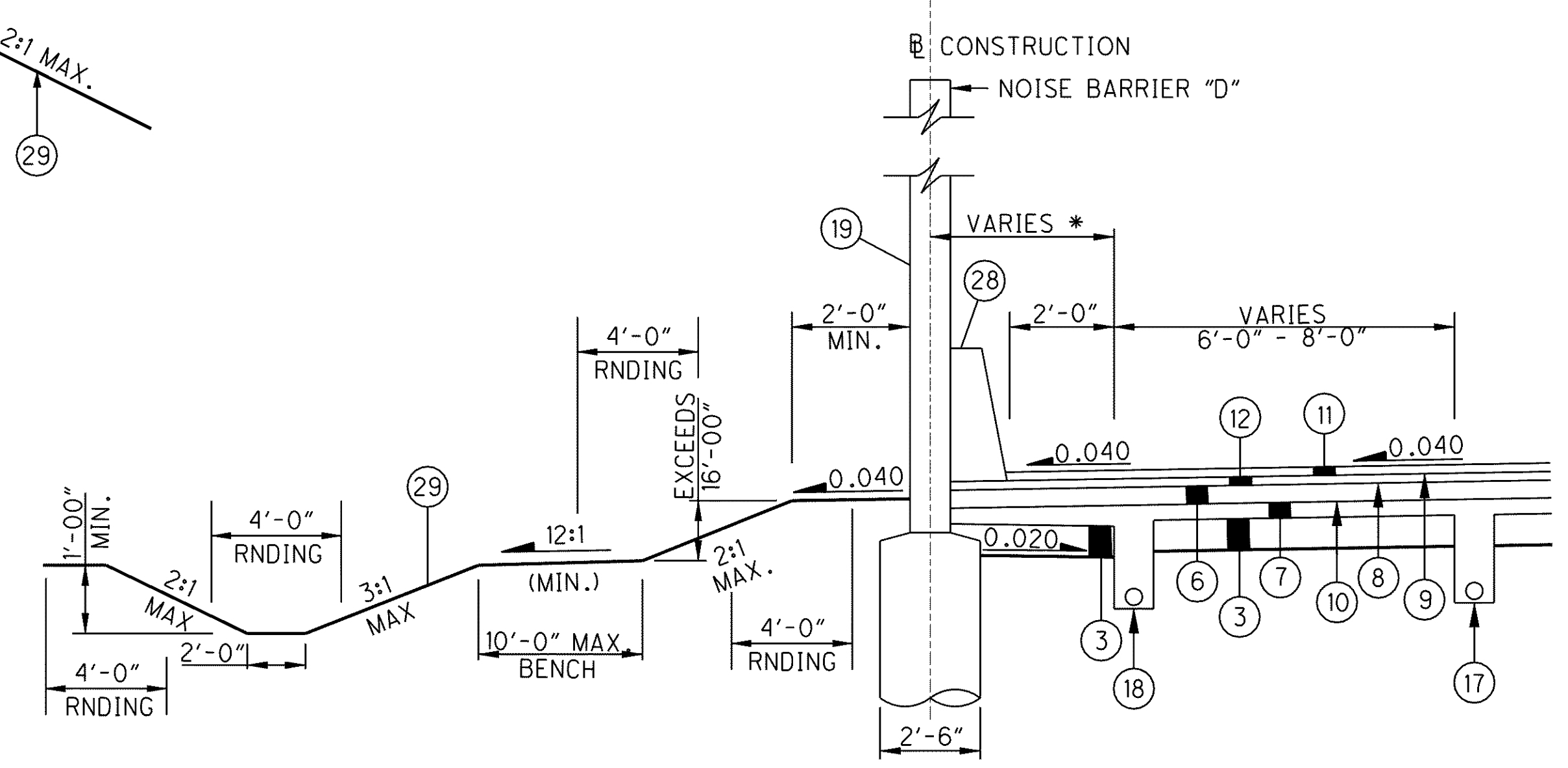


**CURBED ROADWAY
GUARDRAIL INSTALLATION DETAIL**
SEE PLANS FOR LOCATIONS



NOISE BARRIER SECTION

LIMITING STATIONS
NOISE BARRIER "C"
STA. 1037+76.46 TO STA. 1044+96.00



SHOULDER DETAIL "X"
DETAIL APPLIES

S.R. 306 RAMP O
STA. 179+20.00 TO STA. 188+64.14

\\Akrn01\Data\Civil\2004108\00\13486\roadway\sheet\13486YP445.DGN 6/17/2008 8:51:57 AM mmoellendick