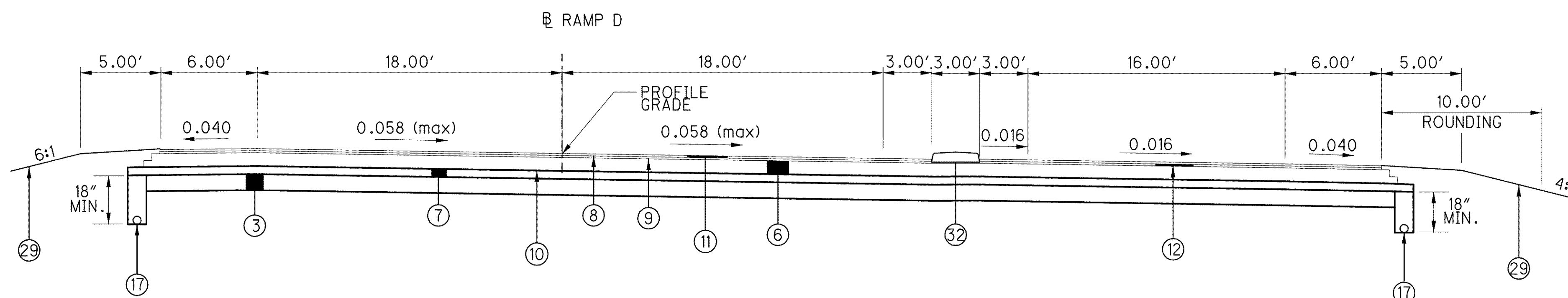


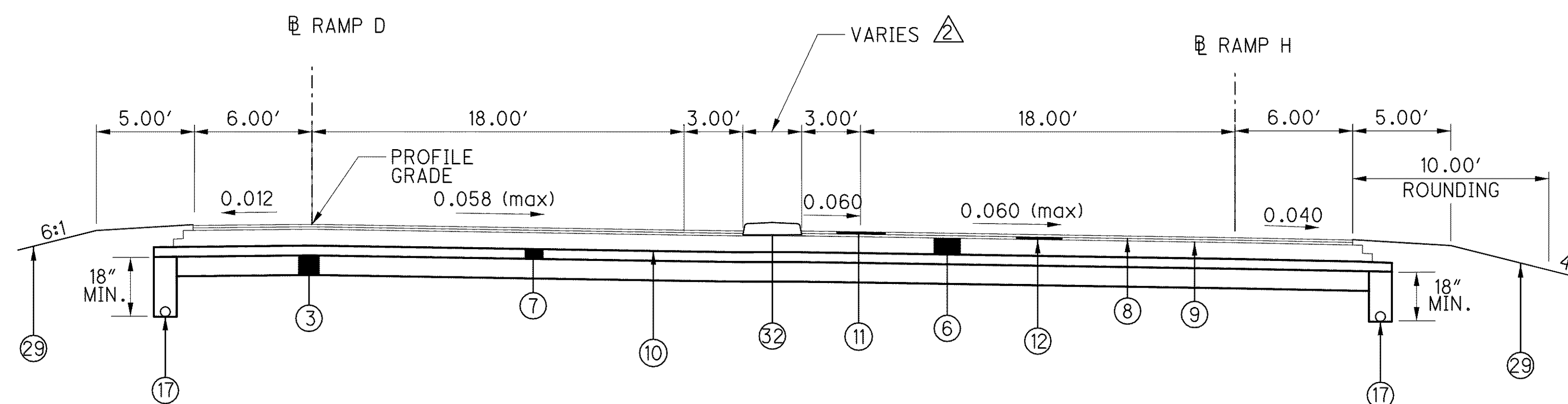
**NORMAL TYPICAL**

VINE RAMP D  
 STA. 310+87.40 TO STA. 311+96.82 = 109.42 FT.



**SUPERELEVATED TYPICAL (RT)**

VINE RAMP D  
 STA. 308+37.95 TO STA. 310+87.40 = 249.45 FT.



**SUPERELEVATED TYPICAL (RT)**

VINE RAMP D  
 STA. 311+96.82 TO STA. 316+55.40 = 458.58 FT.

**SUPERELEVATED TYPICAL**

VINE RAMP H  
 STA. 318+41.30 TO STA. 320+56.54 = 215.24 FT.

- VARIES 18.00' TO 0.00' FROM  
 STA. 311+67.42 TO STA. 312+67.42
- VARIES 3.00' TO 12.00' FROM  
 STA. 313+28.20 TO STA. 316+07.27 (RAMP D)

j:\LAK\13486\roadway\sheets\13486GYP200\_VINE2.dgn 03-JUL-2008 1:58PM limtn

PROPOSED ITEM LEGEND: SEE SHEET 14