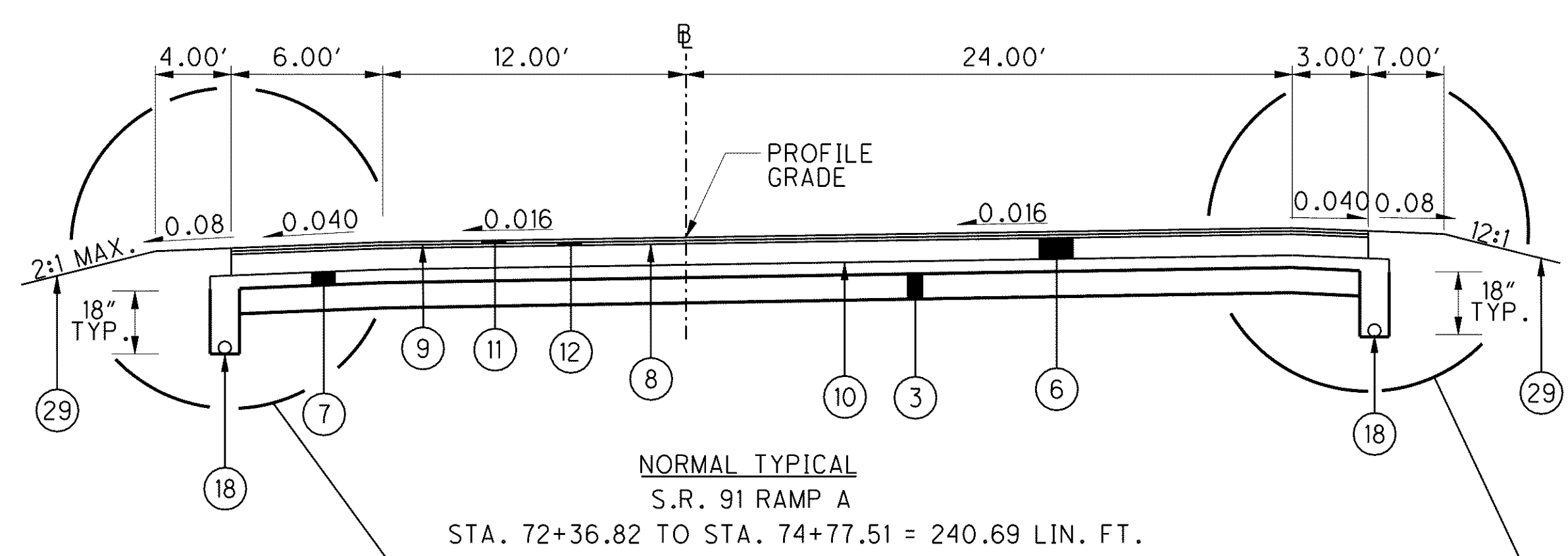
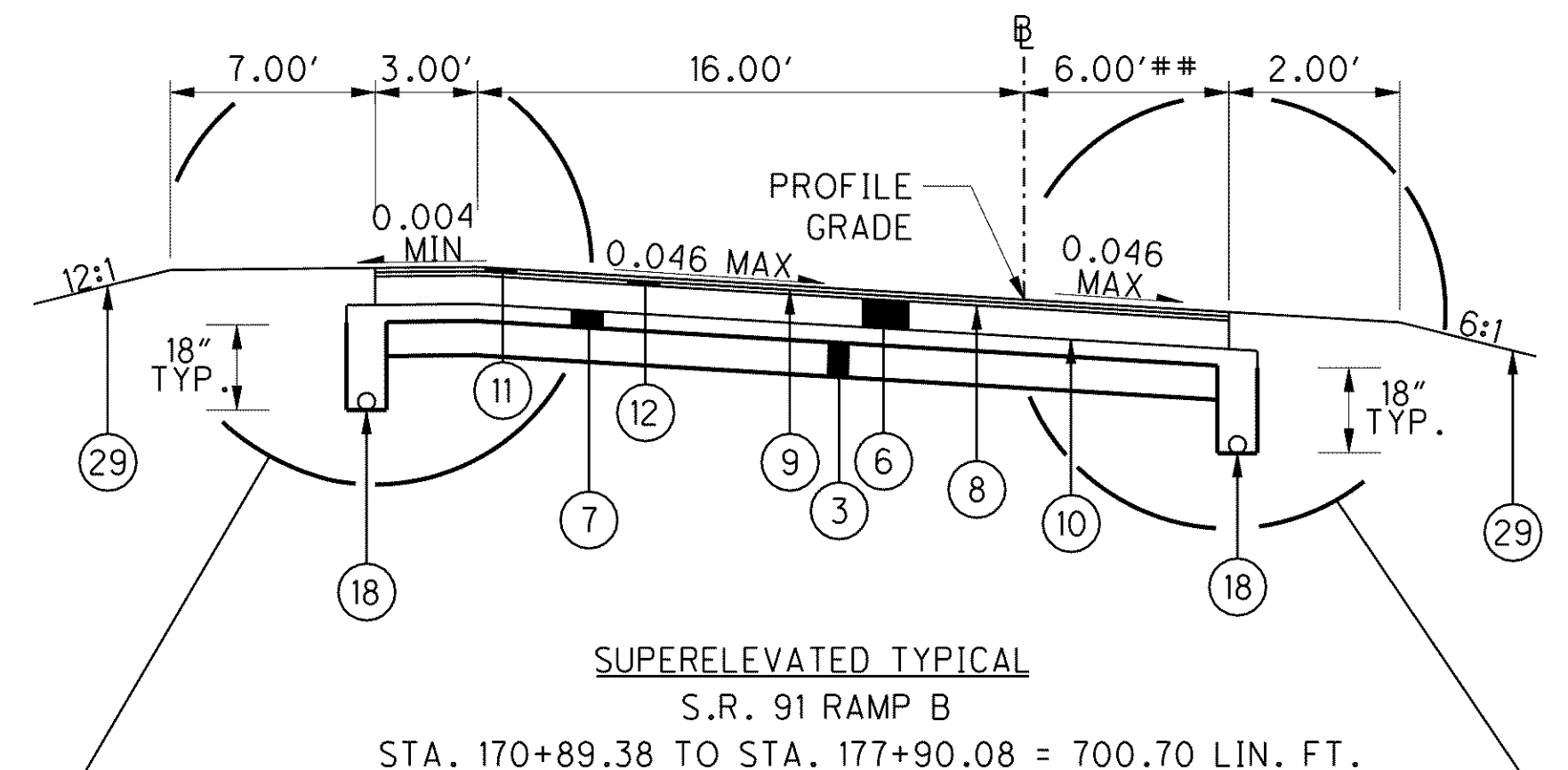


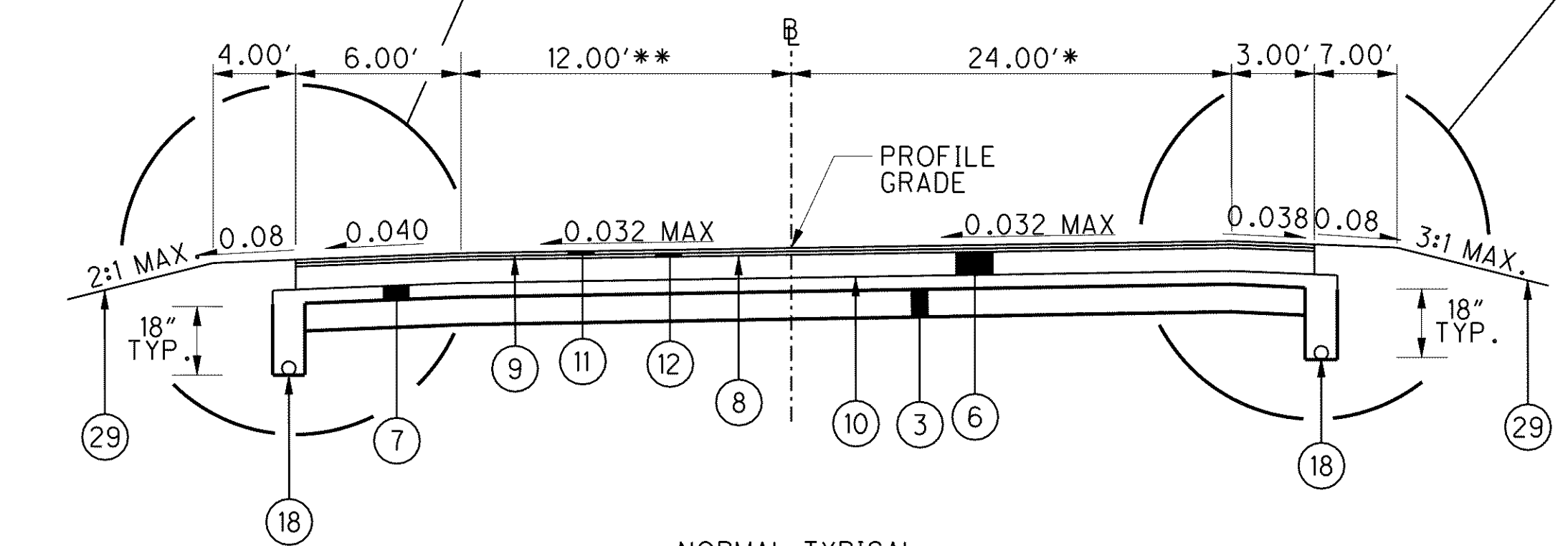
I:\Akron01\Data\Civil\2004108\00\13486\roadway\sheets\13486GYP-R01.dgn 6/17/2008 8:51:50 AM mmaellendick



**NORMAL TYPICAL**  
 S.R. 91 RAMP A  
 STA. 72+36.82 TO STA. 74+77.51 = 240.69 LIN. FT.

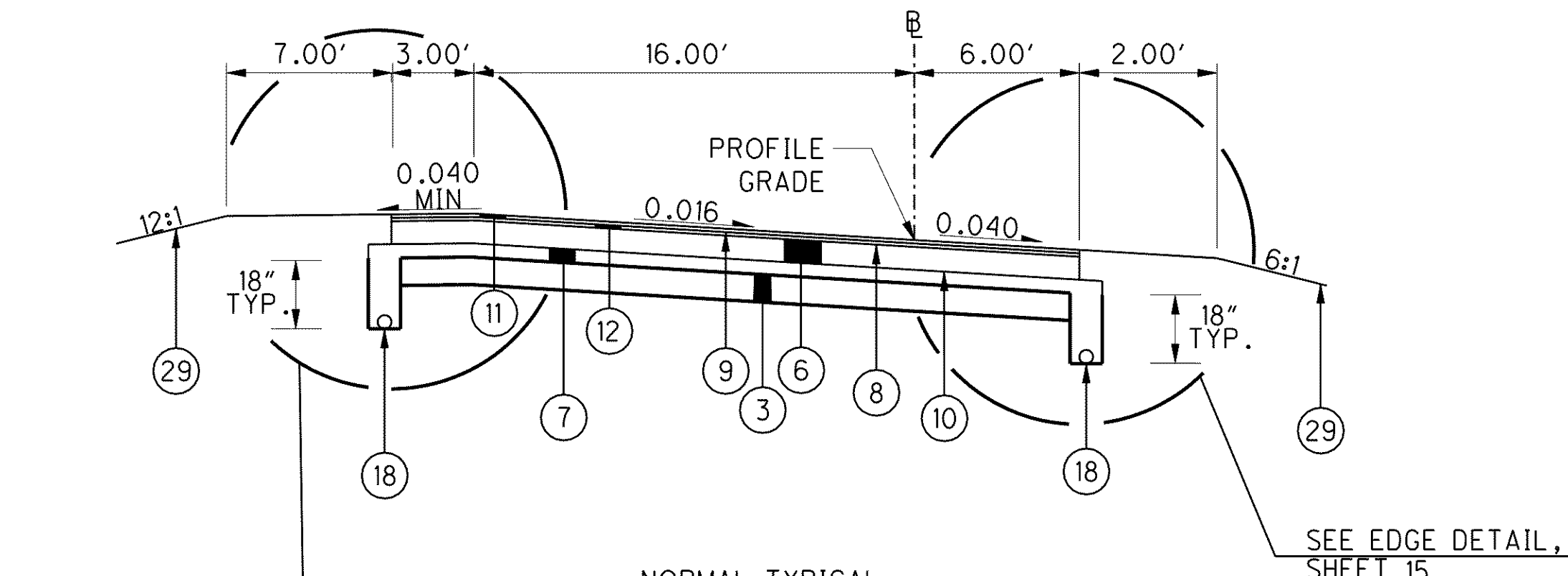


**SUPERELEVATED TYPICAL**  
 S.R. 91 RAMP B  
 STA. 170+89.38 TO STA. 177+90.08 = 700.70 LIN. FT.  
 \*\* 6.00' WIDTH FROM STA. 170+89.38 TO STA. 177+40.08  
 VARIES 6.00' TO 8.00' FROM STA. 177+40.08 TO STA. 177+90.08

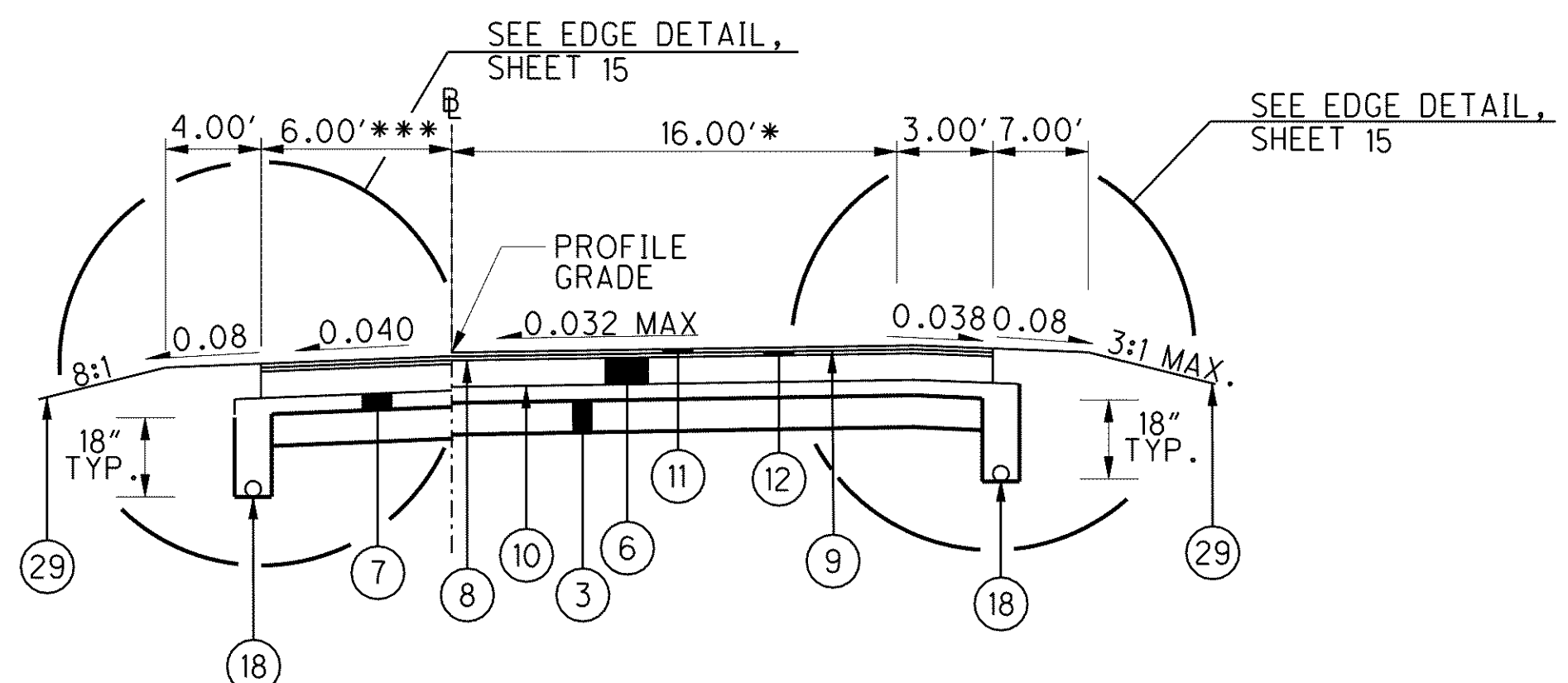


**NORMAL TYPICAL**  
 S.R. 91 RAMP A  
 STA. 74+77.51 TO STA. 76+03.86 = 126.36 LIN. FT.

- \* 24.00' WIDTH FROM STA. 74+77.51 TO STA. 75+53.86  
VARIES 24.00' TO 16.00' FROM STA. 75+53.86 TO STA. 76+03.86
- \*\* 12.00' WIDTH FROM STA. 74+77.51 TO STA. 75+53.86  
VARIES 12.00' TO 0.00' FROM STA. 75+53.86 TO STA. 76+03.86



**NORMAL TYPICAL**  
 S.R. 91 RAMP B  
 STA. 169+24.81 TO STA. 170+89.38 = 164.57 LIN. FT.



**NORMAL TYPICAL**  
 S.R. 91 RAMP A  
 STA. 76+03.86 TO STA. 84+38.98 = 835.12 LIN. FT.  
 \* 16.00' WIDTH FROM STA. 76+03.86 TO STA. 82+64.51  
VARIES 16.00' TO 12.00' FROM STA. 82+64.51 TO STA. 84+38.98  
 \*\*\* VARIES 6.00' TO 8.00' FROM STA. 79+31.61 TO STA. 79+81.61  
8.00' WIDTH FROM STA. 79+81.61 TO STA. 84+38.98

FOR EXISTING LEGEND, SEE SHEET NO. 11  
 FOR PROPOSED LEGEND SEE SHEET NO. 14