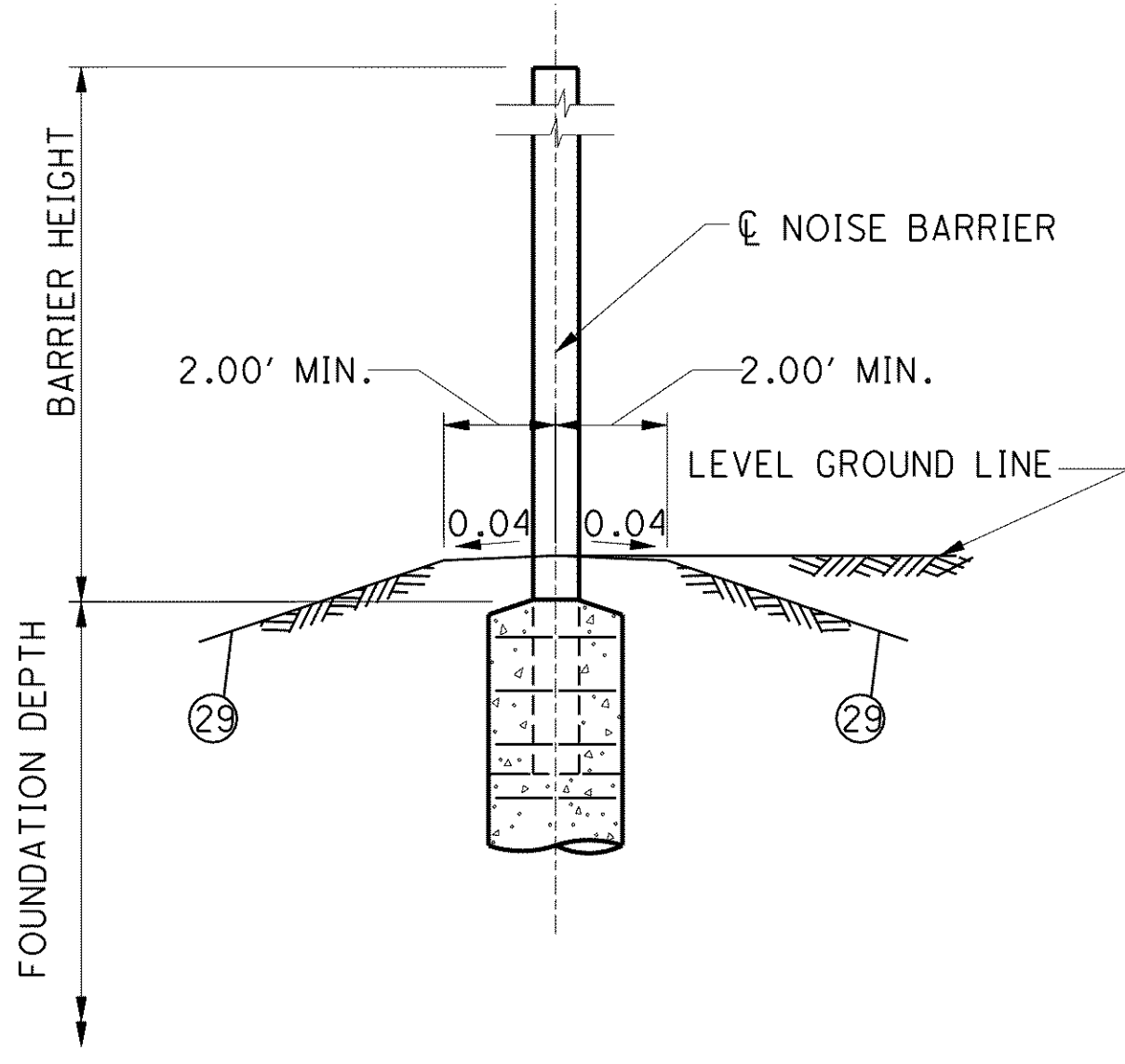
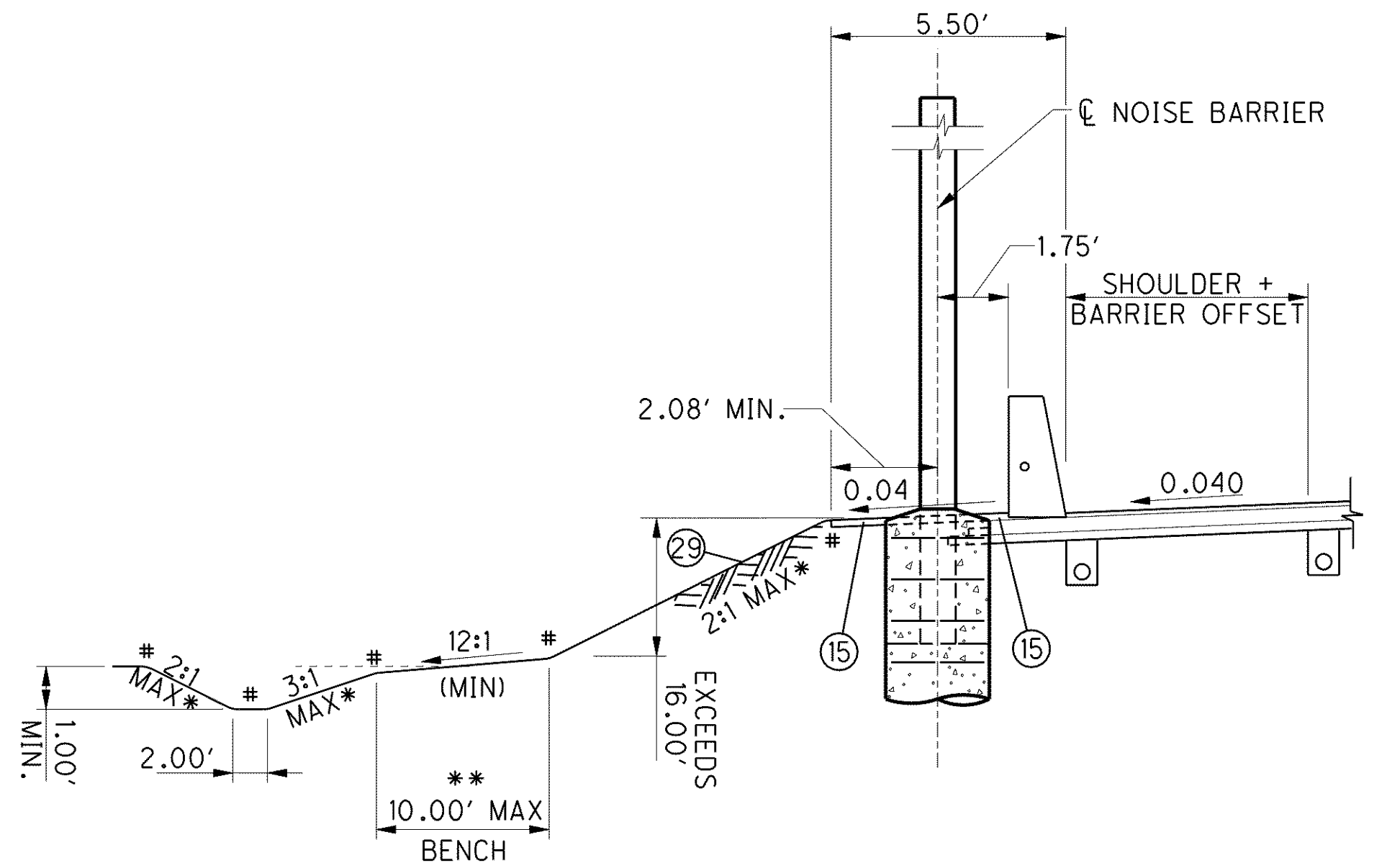


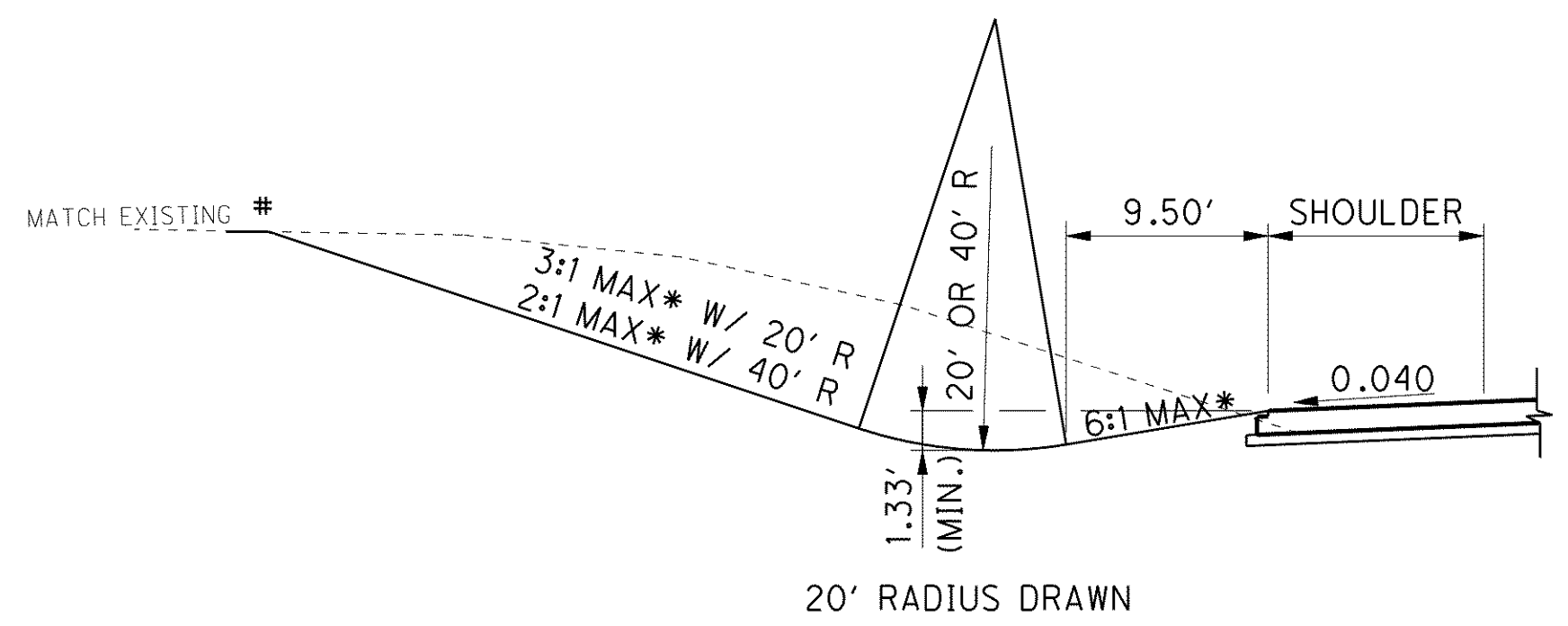
NOISE BARRIER GRADING
TOP OF CUT SLOPE



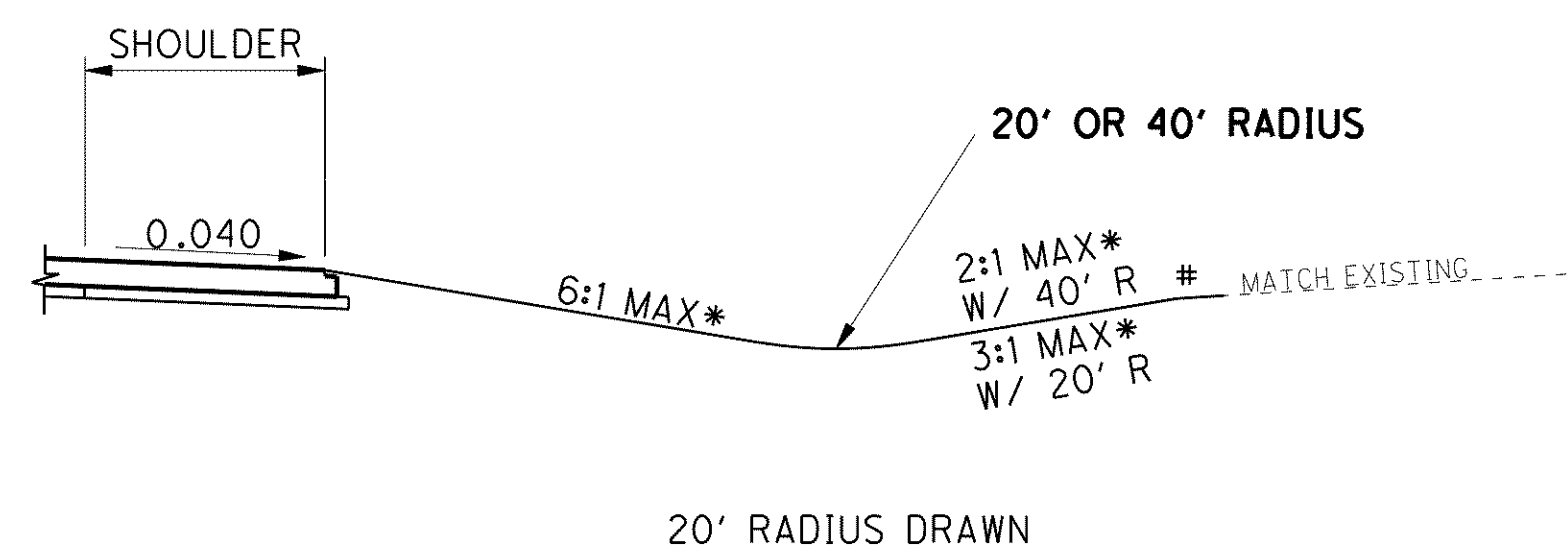
NOISE BARRIER GRADING
FILL SLOPE (OUTSIDE CLEAR ZONE)



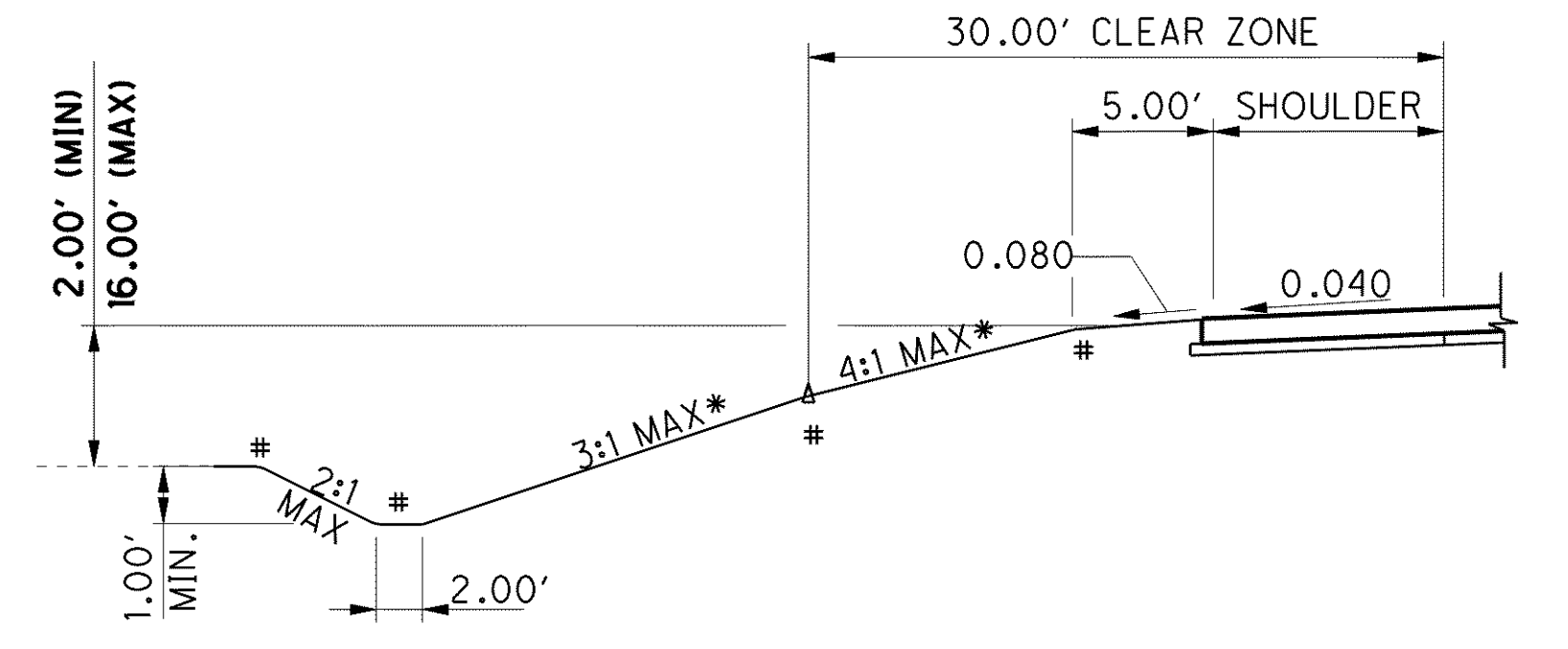
NOISE BARRIER GRADING
FILL SLOPE NEAR SHOULDER



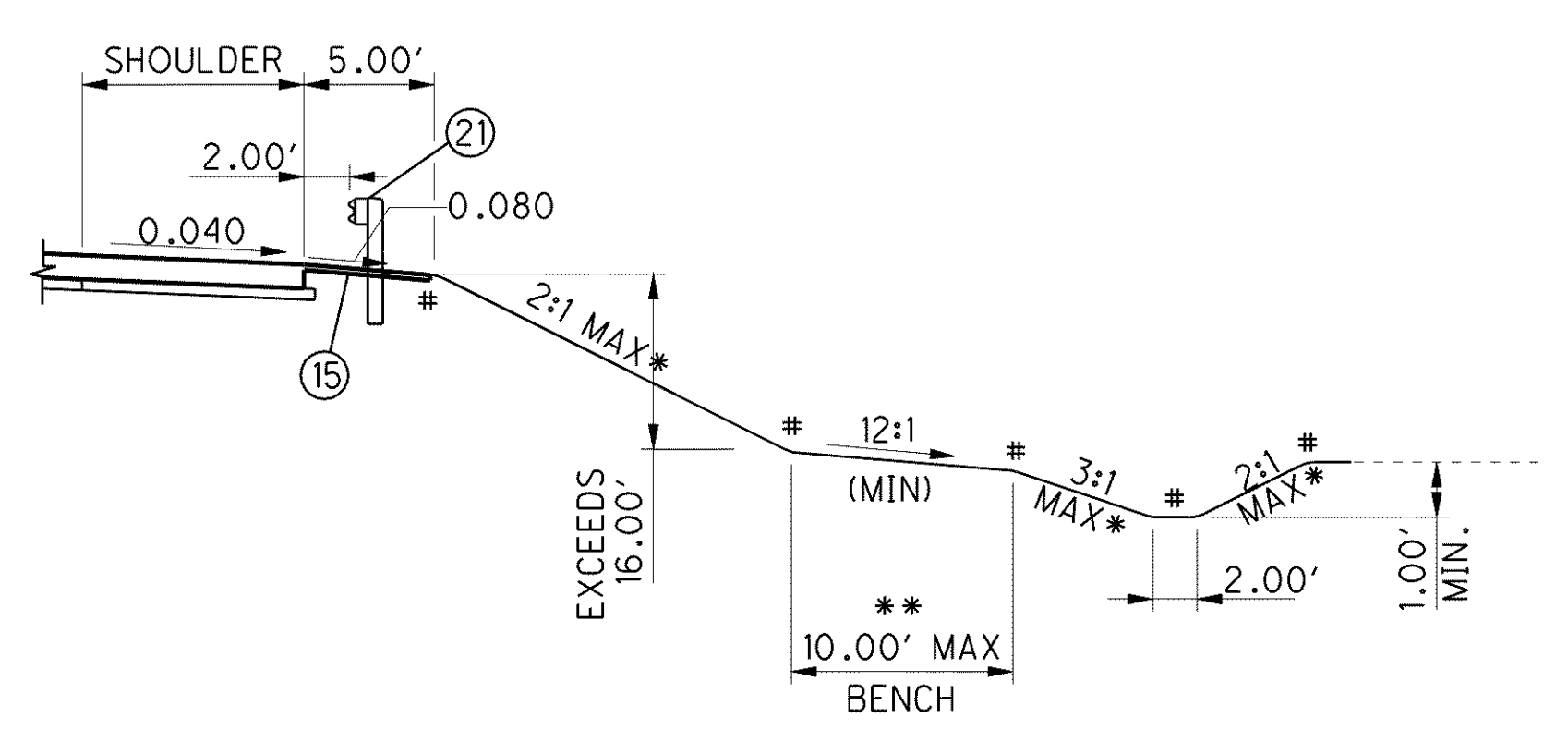
CUT GRADING SECTION



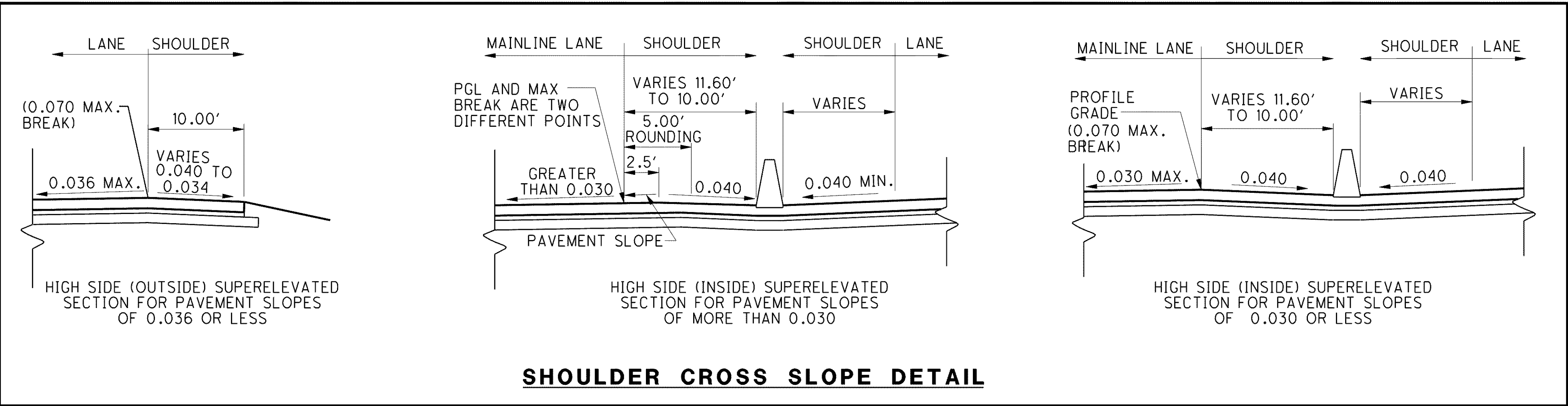
SHALLOW CUT OR LOW FILL GRADING SECTION



MEDIUM FILL GRADING SECTION



BARRIER GRADING SECTION



SHOULDER CROSS SLOPE DETAIL

* OR AS SHOWN IN THE CROSS SECTIONS
** SEE CROSS SECTIONS FOR BENCH WIDTHS
4 FT. ROUNDING

g:\project\lak\13486\roadway\sheets\13486GYPO3.dgn 6/24/2008 9:35:55 AM jmoderia