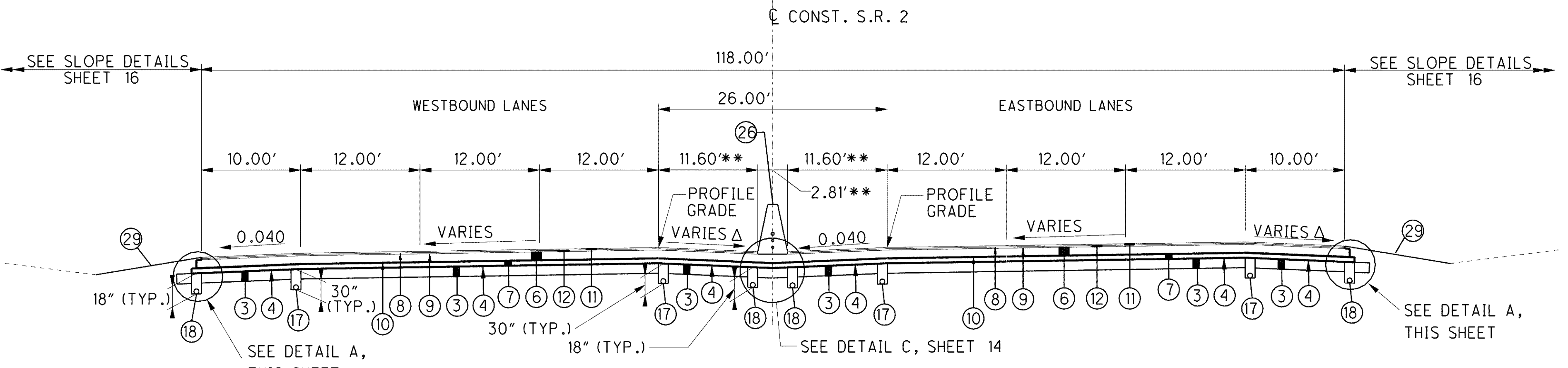


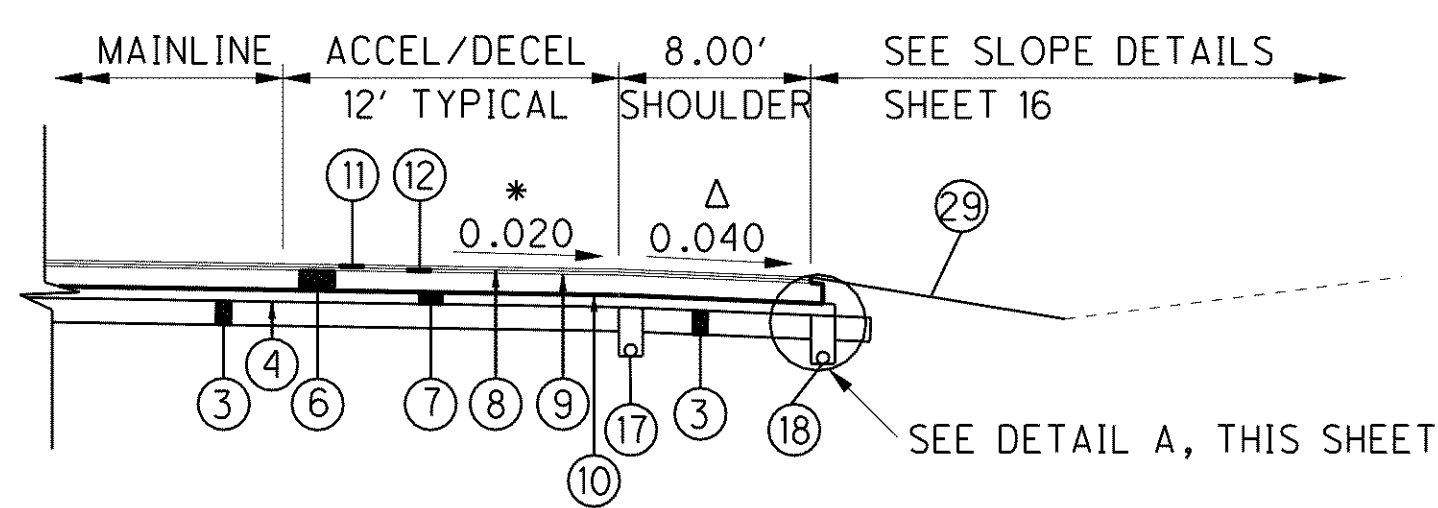
PROPOSED NORMAL SECTION = S.R. 2 MAINLINE

- STA. 313+82.48 TO STA. 356+39.21 = 4256.73 FT
- STA. 358+46.45 TO STA. 366+64.86 = 818.41 FT
- STA. 395+74.75 TO STA. 412+88.67 = 1713.92 FT
- STA. 448+90.66 TO STA. 501+26.77 = 5236.11 FT
- STA. 502+35.85 TO STA. 510+00.00 = 764.15 FT



PROPOSED SUPERELEVATED SECTION = S.R. 2 MAINLINE

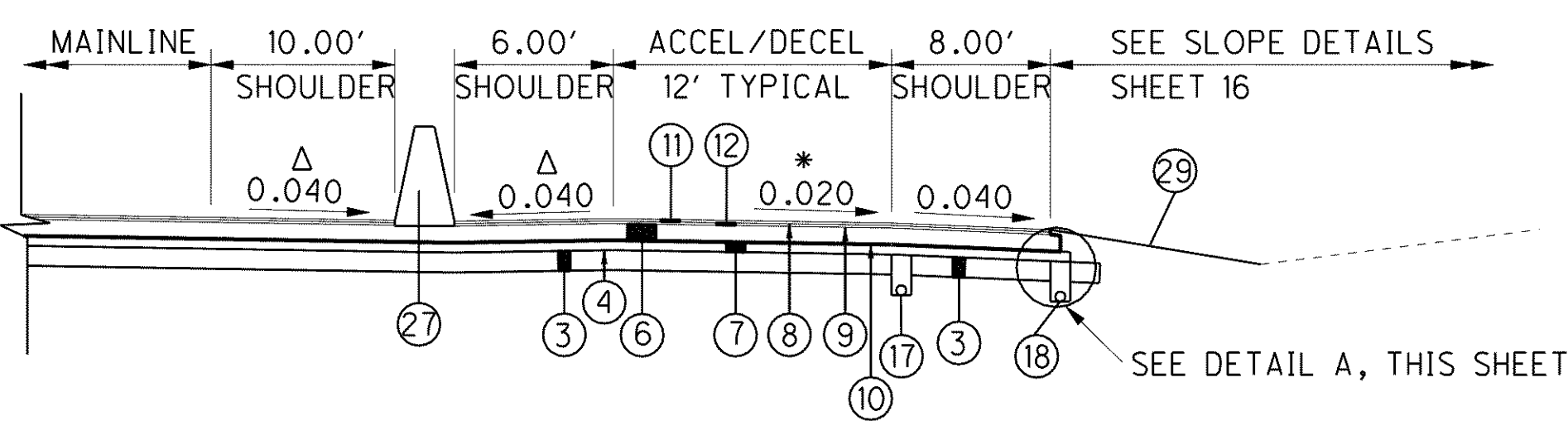
- STA. 366+64.86 TO STA. 379+86.98 = 1322.12 FT (e_{max} = 0.36, DIRECTION REVERSED)
- STA. 382+73.13 TO STA. 395+74.75 = 1301.62 FT (e_{max} = 0.36, DIRECTION REVERSED)
- STA. 412+88.67 TO STA. 448+90.66 = 3601.99 FT (e_{max} = 0.36)



PROPOSED ACCELERATION/DECELERATION LANE

MIRROR SECTION IF APPROPRIATE

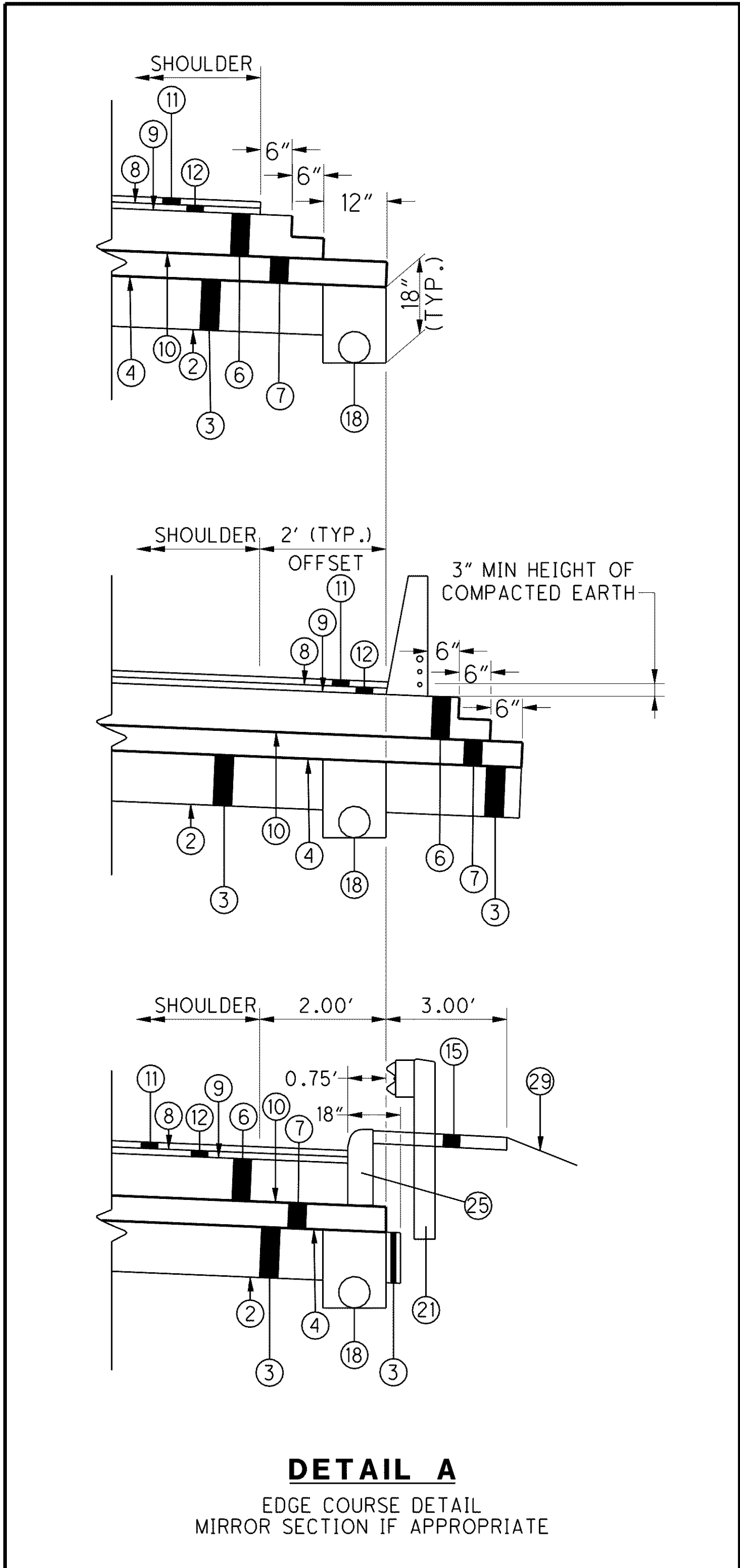
- STA. 320+85.58 TO STA. 334+48.68 WB (VINE ST. RAMP D)
- STA. 322+14.87 TO STA. 338+06.08 EB (VINE ST. RAMP A)
- STA. 351+40.00 TO STA. 373+80.00 WB (LOST NATION RD. RAMP D)
- STA. 366+56.41 TO STA. 378+10.59 EB (LOST NATION RD. RAMP F)
- STA. 395+62.28 TO STA. 412+99.17 EB (LOST NATION RD. RAMP B)
- STA. 399+06.29 TO STA. 408+00.24 WB (LOST NATION RD. RAMP A)
- STA. 442+00.00 TO STA. 452+67.88 EB (REYNOLDS RD. RAMP K)
- STA. 444+44.00 TO STA. 459+22.53 WB (REYNOLDS RD. RAMP I)
- STA. 474+42.22 TO STA. 489+10.00 EB (REYNOLDS RD. RAMP N)
- STA. 477+28.32 TO STA. 490+55.78 WB (REYNOLDS RD. RAMP O)



PROPOSED BARRIER-SEPARATED C/D LANE

MIRROR SECTION IF APPROPRIATE

- STA. 309+65.10 TO STA. 315+39.33 WB
- STA. 310+81.51 TO STA. 316+03.78 EB
- STA. 373+80.00 TO STA. 391+22.52 WB
- STA. 378+10.59 TO STA. 389+38.72 EB
- STA. 452+67.88 TO STA. 456+06.86 EB



DETAIL A

EDGE COURSE DETAIL
MIRROR SECTION IF APPROPRIATE

NOTE:

FOR PROPOSED ITEM LEGEND, SEE SHEET 14

* IF IN SUPERELEVATED SECTION, SLOPE TO MATCH MAINLINE

** MEDIAN BARRIER TAPERS FROM 33 1/4" TO 41 1/2" OVER 10' SECTION ABUTTING TO MAINLINE BRIDGES, PIERS, AND OVERHEAD SIGN SUPPORTS. LOCATIONS AS DETAILED IN PLAN VIEW.

Δ FOR HIGH SIDE SHOULDER SLOPES AND BREAK LOCATION ON SUPERELEVATED SECTIONS, SEE SHOULDER CROSS SLOPE DETAIL, SHEET 16

g:\project\lak\13486\roadway\sheet\13486GYP02.dgn 6/24/2008 9:35:34 AM jmoderia