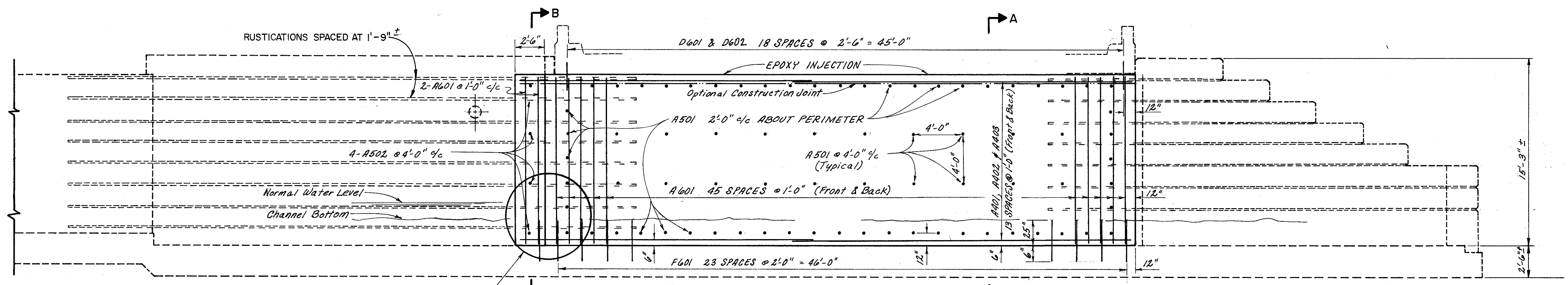
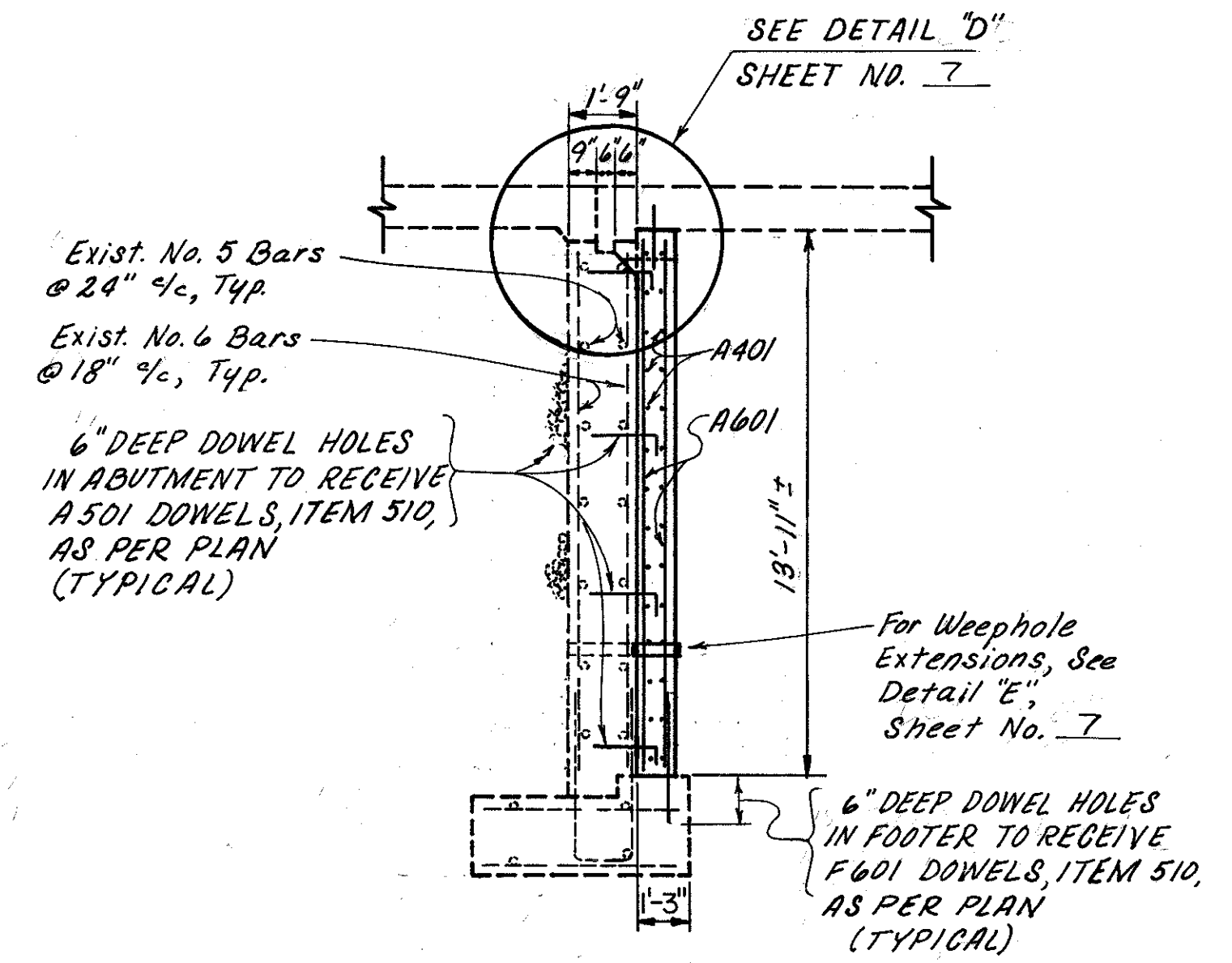


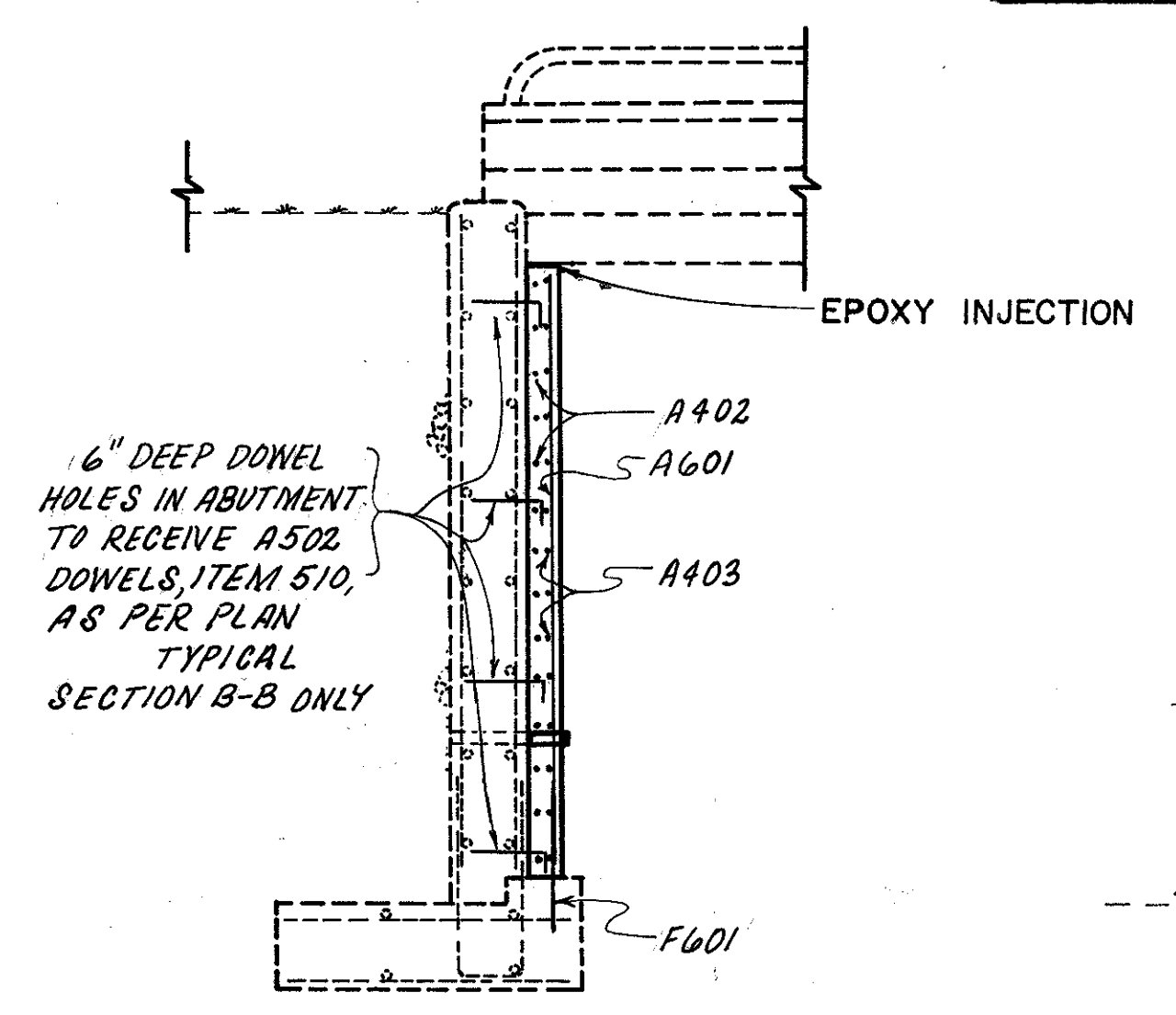
SOUTH ABUTMENT PLAN VIEW



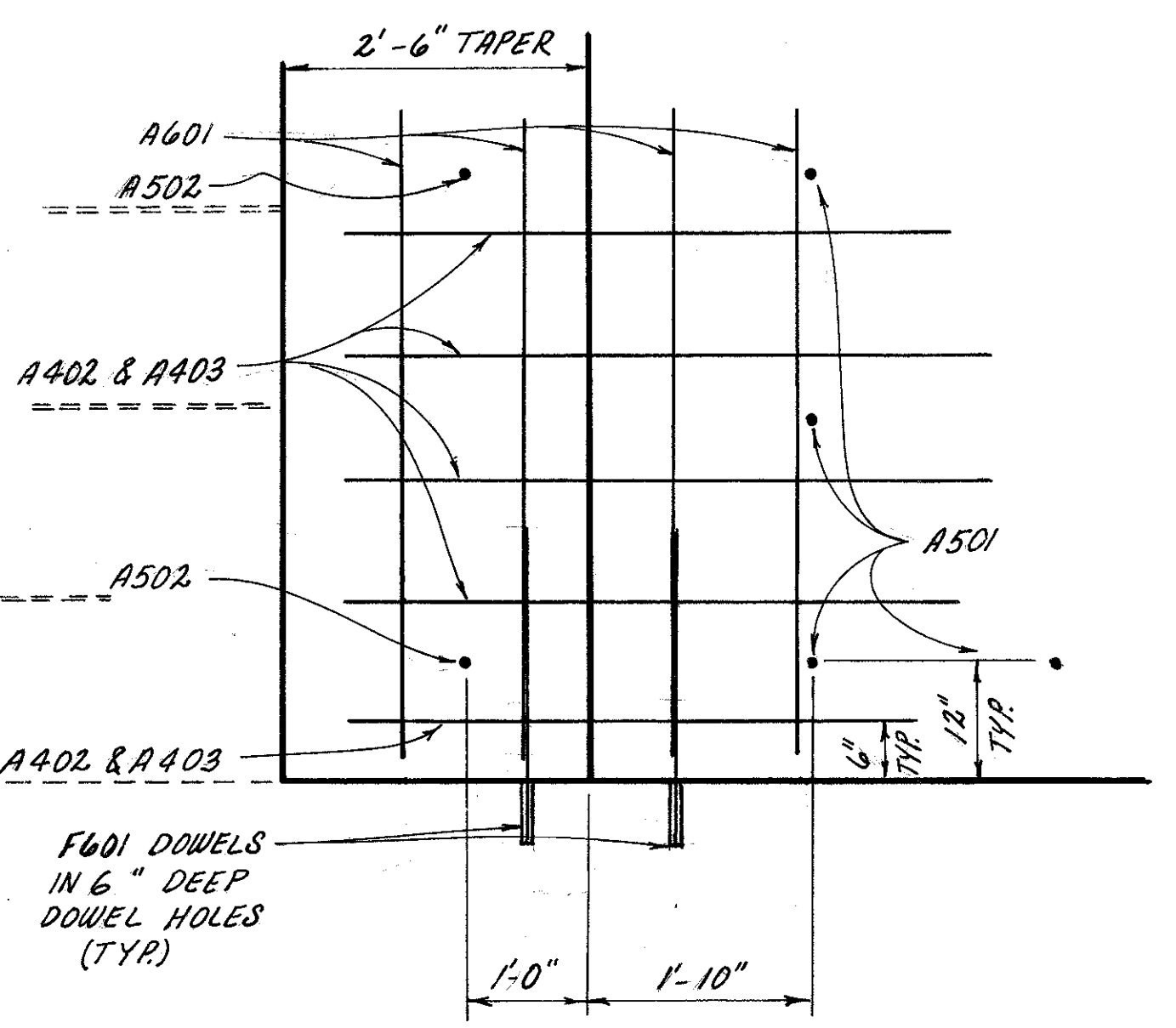
NOTE: Weepholes Not Shown, Location Varies  
SOUTH ABUTMENT ELEVATION VIEW



SECTION A-A



SECTION B-B



DETAIL "C"

STATE OF OHIO DEPARTMENT OF TRANSPORTATION DISTRICT 12 BRIDGE DEPARTMENT				
<b>REAR ABUTMENT DETAILS</b>				
BRIDGE N° LAK-2-1735 L&R S.R. 2 OVER RED CREEK LAKE COUNTY				
DESIGNED B.B.T. DATE 6/87	TRACED D.C.F. DATE 6/87	CHECKED D.W.S. DATE 6/24/87	REVIEWED B.W.M. DATE 8/20/87	REVISED
				SHEET 6/9