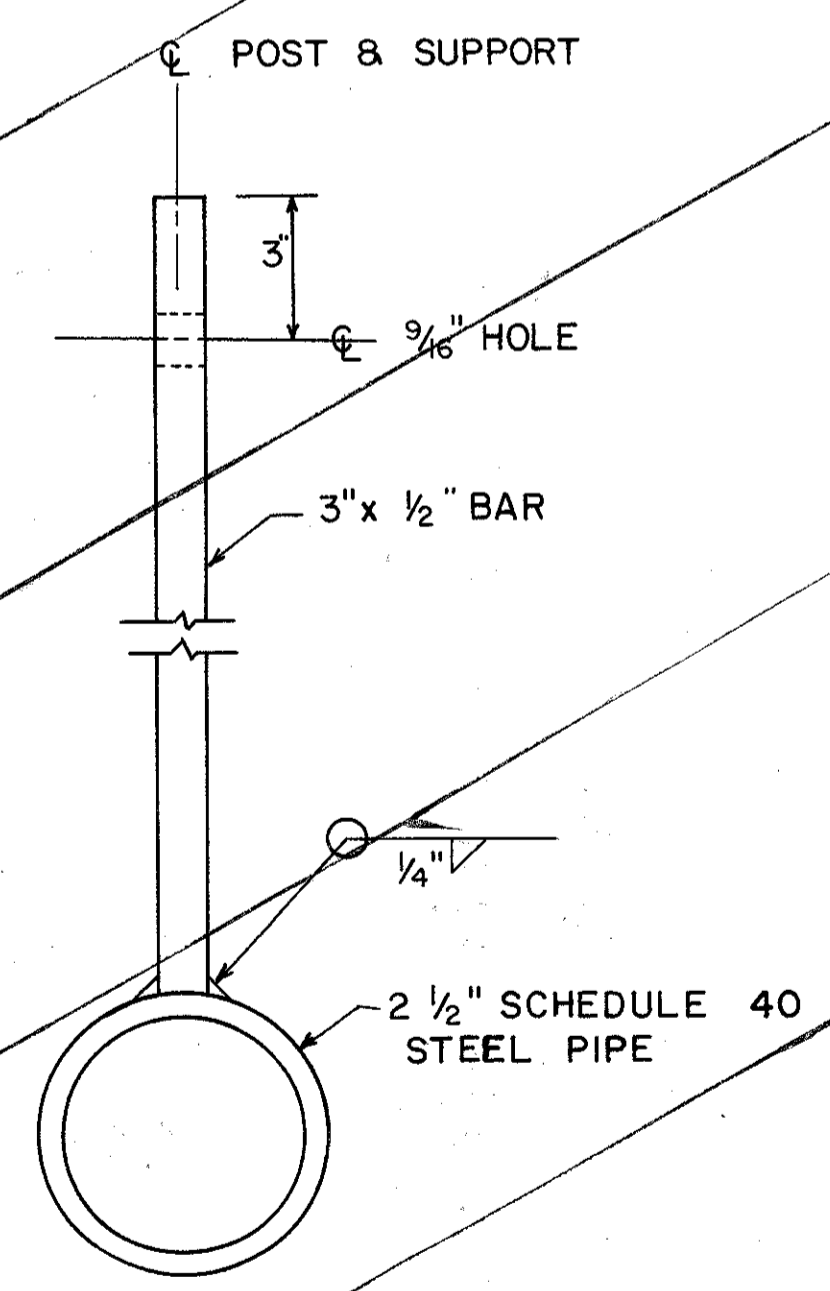
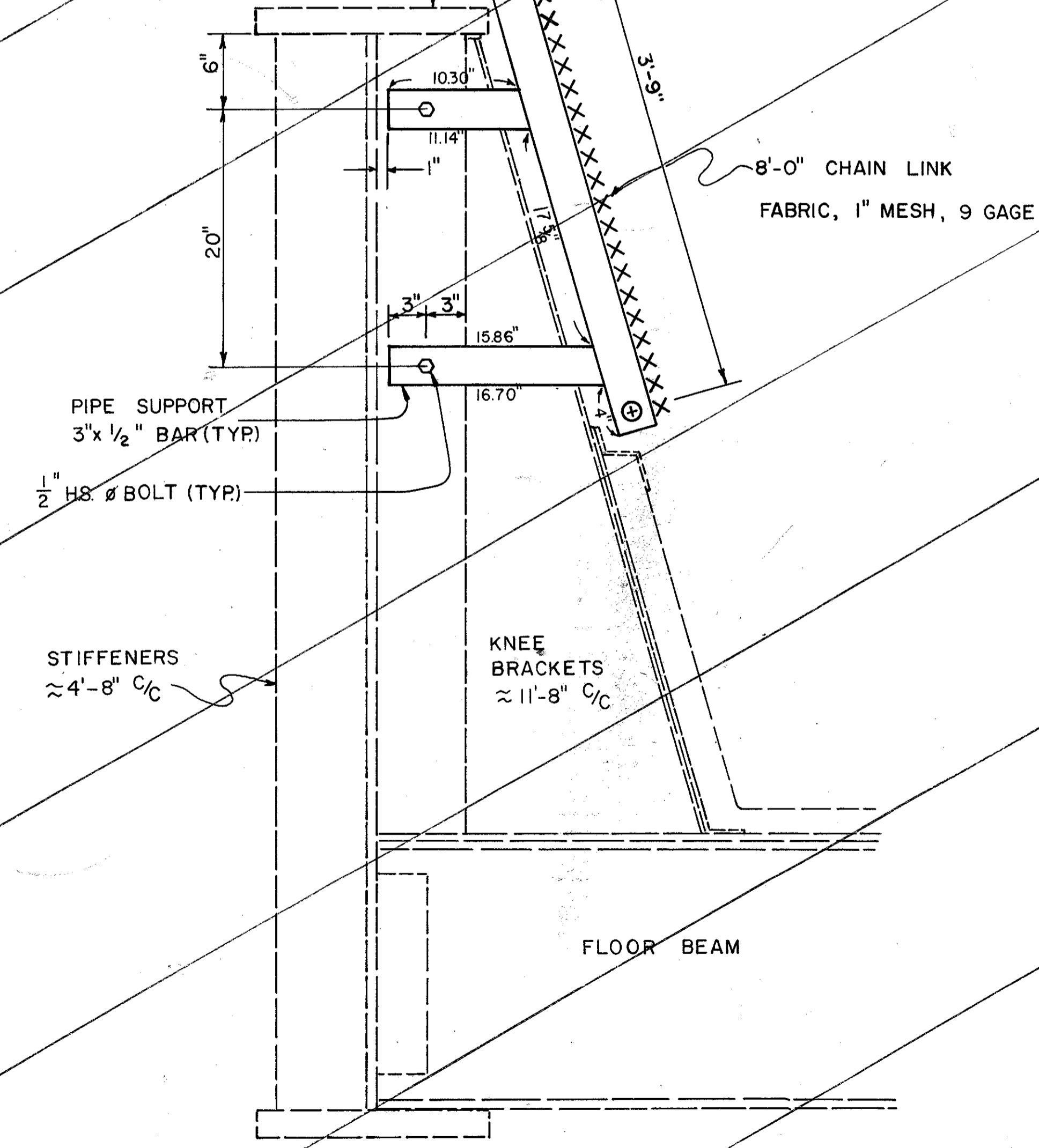


1. POST TOPS SHALL BE FITTED WITH A CAP SUITABLE FOR ACCOMODATING A CONTINUOUS TOP RAIL. THE END POST CAPS SHALL BE OF A DESIGN TO CONTAIN THE TOP RAIL TO PREVENT HORIZONTAL MOVEMENT.
2. THE COST OF ALL MATERIALS, INCLUDING CHAIN LINK FABRIC, POSTS, BRACKETS, BOLT HOLES, LABOR, TOOLS, AND INCIDENTALS NECESSARY TO COMPLETE THE WORK SHALL BE INCLUDED IN THE UNIT PRICE BID PER LIN. FT. FOR ITEM 607, "FENCE TYPE CL", AS PER PLAN, TYPE RRS

**INSIDE ELEVATION**



**TYPICAL PIPE POST SUPPORT**

**TYPICAL FENCE SECTION**

ITEM 607 - FENCE, TYPE CL, AS PER PLAN, TYPE RRS

THIS ITEM INCLUDES THE FURNISHING OF ALL MATERIALS, LABOR, EQUIPMENT AND INCIDENTALS NECESSARY TO COMPLETE THE FENCING. TENSION BANDS SHALL BE A MINIMUM OF 12 GAUGE STEEL BY 7/8 INCHES WIDE ASSEMBLED WITH 5/16 INCH DIAMETER BY 1 1/4 INCH GALVANIZED OR CADMIUM PLATED BOLTS. ONE TENSION BAND SHALL BE REQUIRED FOR EACH FOOT OF FABRIC HEIGHT. MATERIALS AND WORKMANSHIP SHALL MEET THE REQUIREMENTS OF ITEM 607 EXCEPT THAT ALUMINUM ALLOY POSTS SHALL NOT BE USED. FABRIC TIES SHALL BE SPACED 14 INCH C/C MAXIMUM ON LINE OR END POSTS AND 24 INCH C/C MAXIMUM ON ALL RAILS. ALL POSTS AND PIPE SIZES ARE NOTED IN TERMS OF NOMINAL INSIDE DIAMETER OF STANDARD WEIGHT PIPE, SCHEDULE 40, UNLESS OTHERWISE INDICATED. HARDWARE SHALL BE THAT OF THE CHAIN LINK FENCE INDUSTRY STANDARD. PIPE SUPPORTS AND MISCELLANEOUS BRACKETS FOR STEEL POSTS SHALL OF ANY COMMERCIAL WELDABLE STEEL HAVING A YIELD STRENGTH OF 30,000 P.S.I. ALUMINUM ALLOY FABRIC (AASHTO M-181, TYPE III) SHALL BE USED. 9/16" HOLES SHALL BE FIELD DRILLED IN THE STIFFENERS.

VOID

STATE OF OHIO DEPARTMENT OF TRANSPORTATION DISTRICT 12 LOCATION & DESIGN				
TYPE RRS				
<b>FENCE DETAILS</b> BR. NO LAK-2-1724				
LAKE COUNTY		OHIO		
DESIGNED E.N.F. DATE	TRACED MRB DATE	CHECKED DATE	REVIEWED DATE	REVISED DATE
				SHEET 26/26