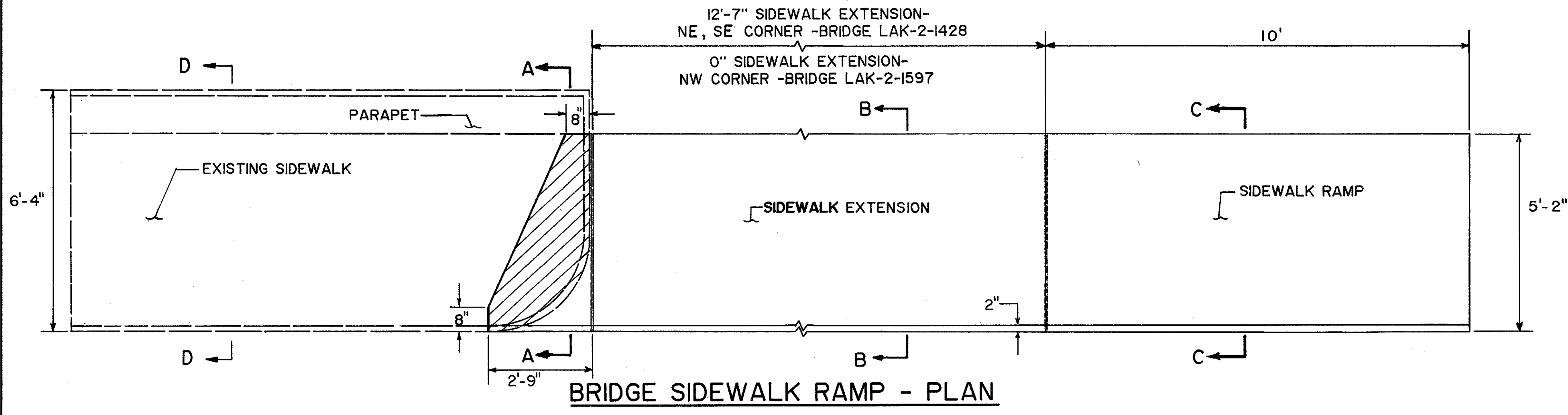
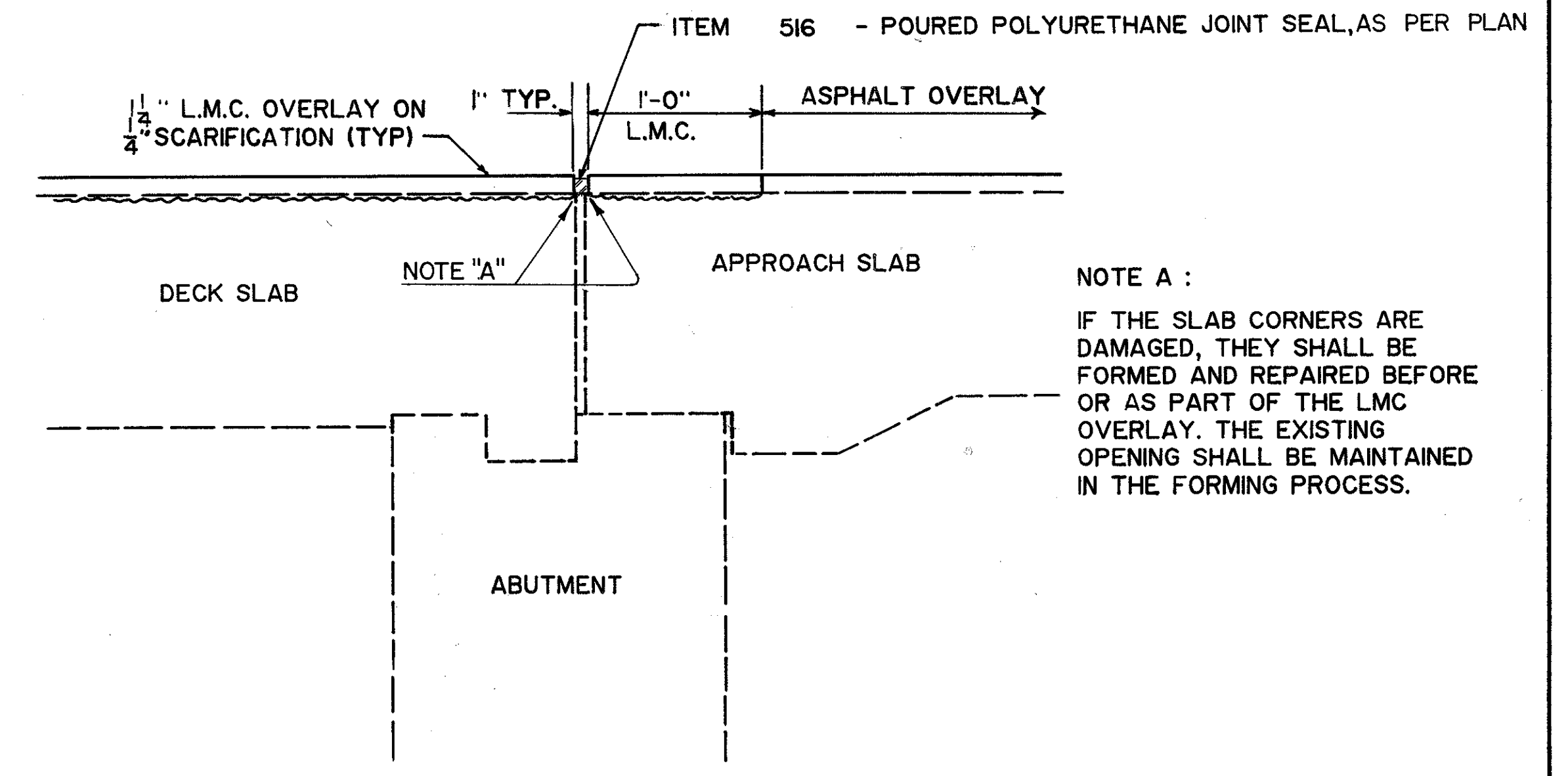


NOV 5 1992

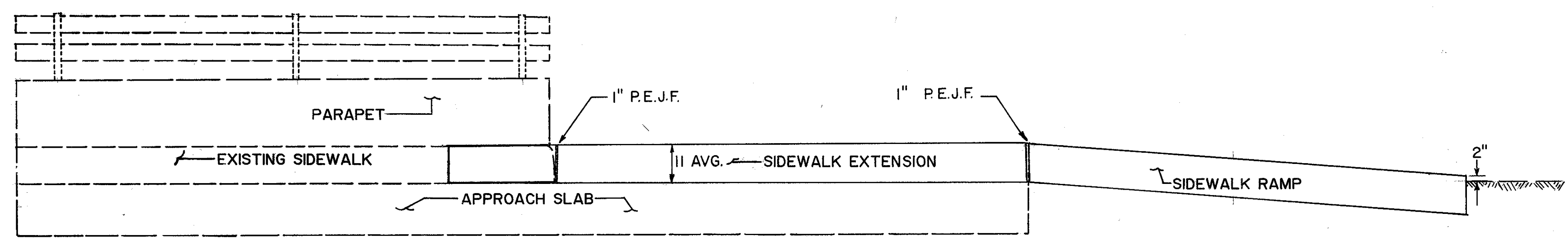


- REMOVAL

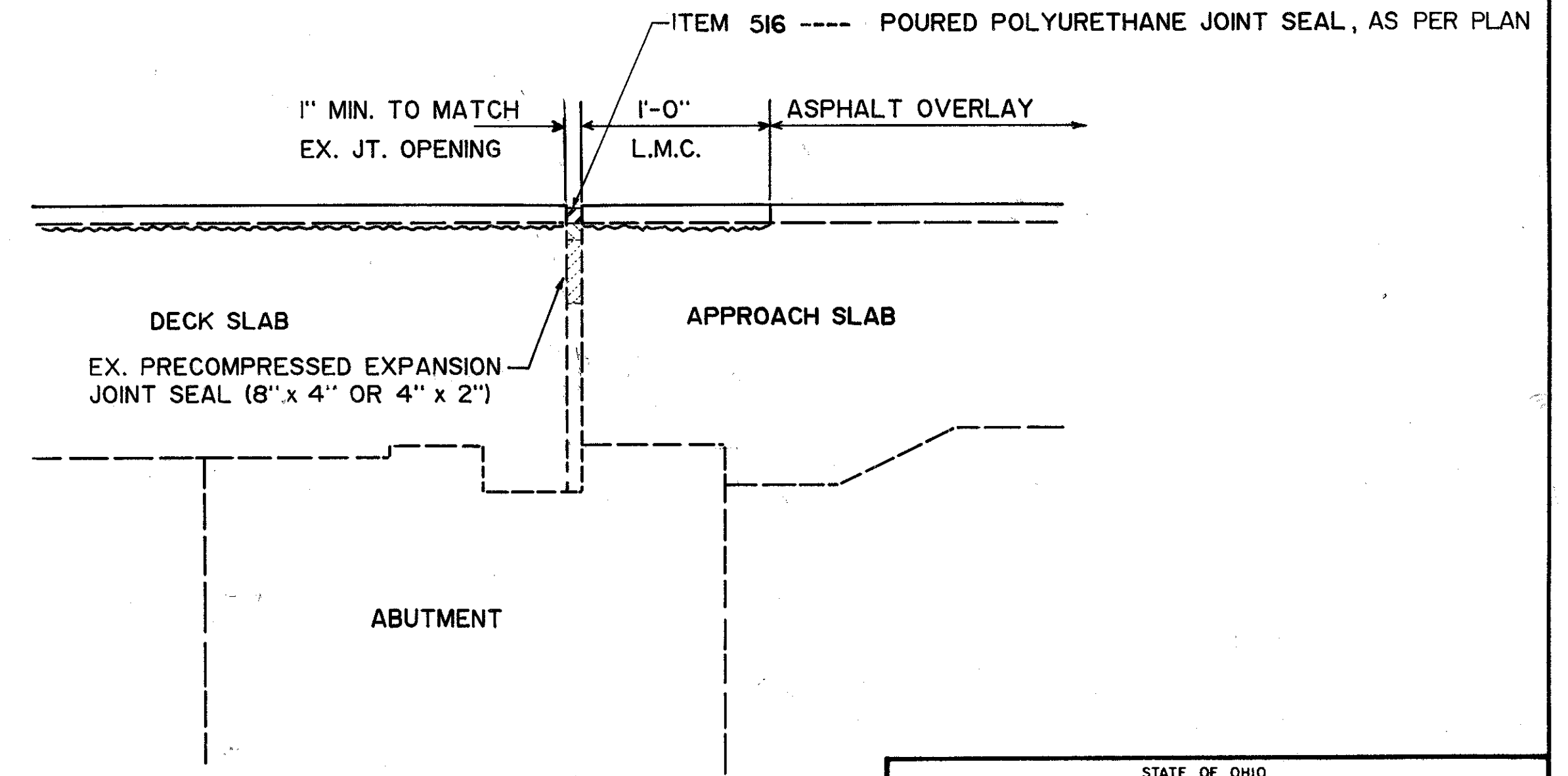


NOTE A:
IF THE SLAB CORNERS ARE DAMAGED, THEY SHALL BE FORMED AND REPAIRED BEFORE OR AS PART OF THE LMC OVERLAY. THE EXISTING OPENING SHALL BE MAINTAINED IN THE FORMING PROCESS.

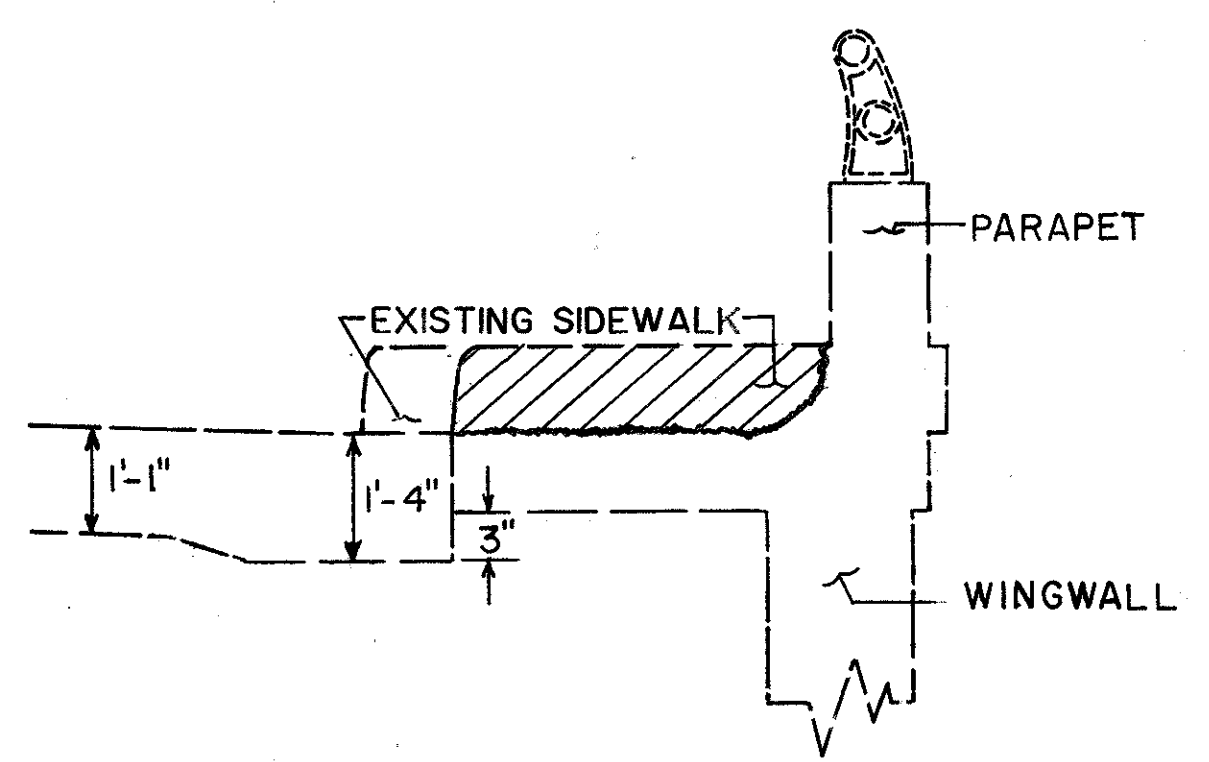
SLAB BRIDGE - ABUTMENT JOINT DETAILS
BR. NO LAK-2-1735 R



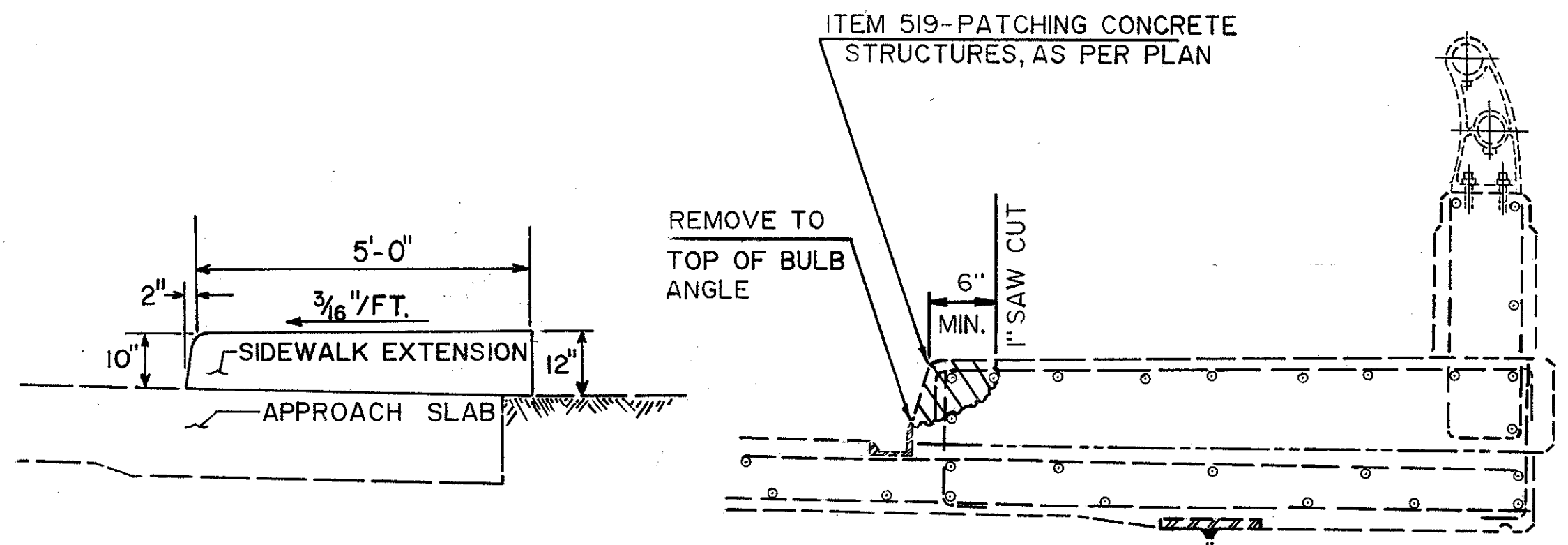
BRIDGE SIDEWALK RAMP - PROFILE



SLAB BRIDGE - ABUTMENT JOINT DETAILS
BR. NO LAK-2-1735 L

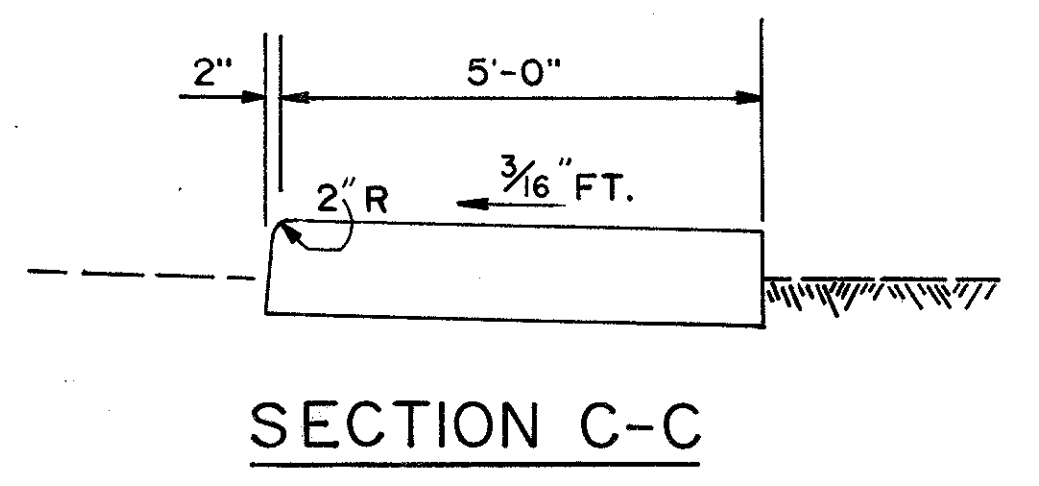


SECTION A-A



SECTION B-B

SECTION D-D
TYPICAL CURB PATCHING



SECTION C-C

STATE OF OHIO DEPARTMENT OF TRANSPORTATION DISTRICT 12 LOCATION & DESIGN				
MISCELLANEOUS DETAILS BRIDGE SIDEWALK RAMPS SLAB BRIDGE JOINT DETAILS TYPICAL CURB PATCHING				
LAKE COUNTY OHIO				
DESIGNED MRB DATE	TRACED MRB DATE	CHECKED ENF DATE	REVIEWED DATE	REVISED DATE
				SHEET 24/26