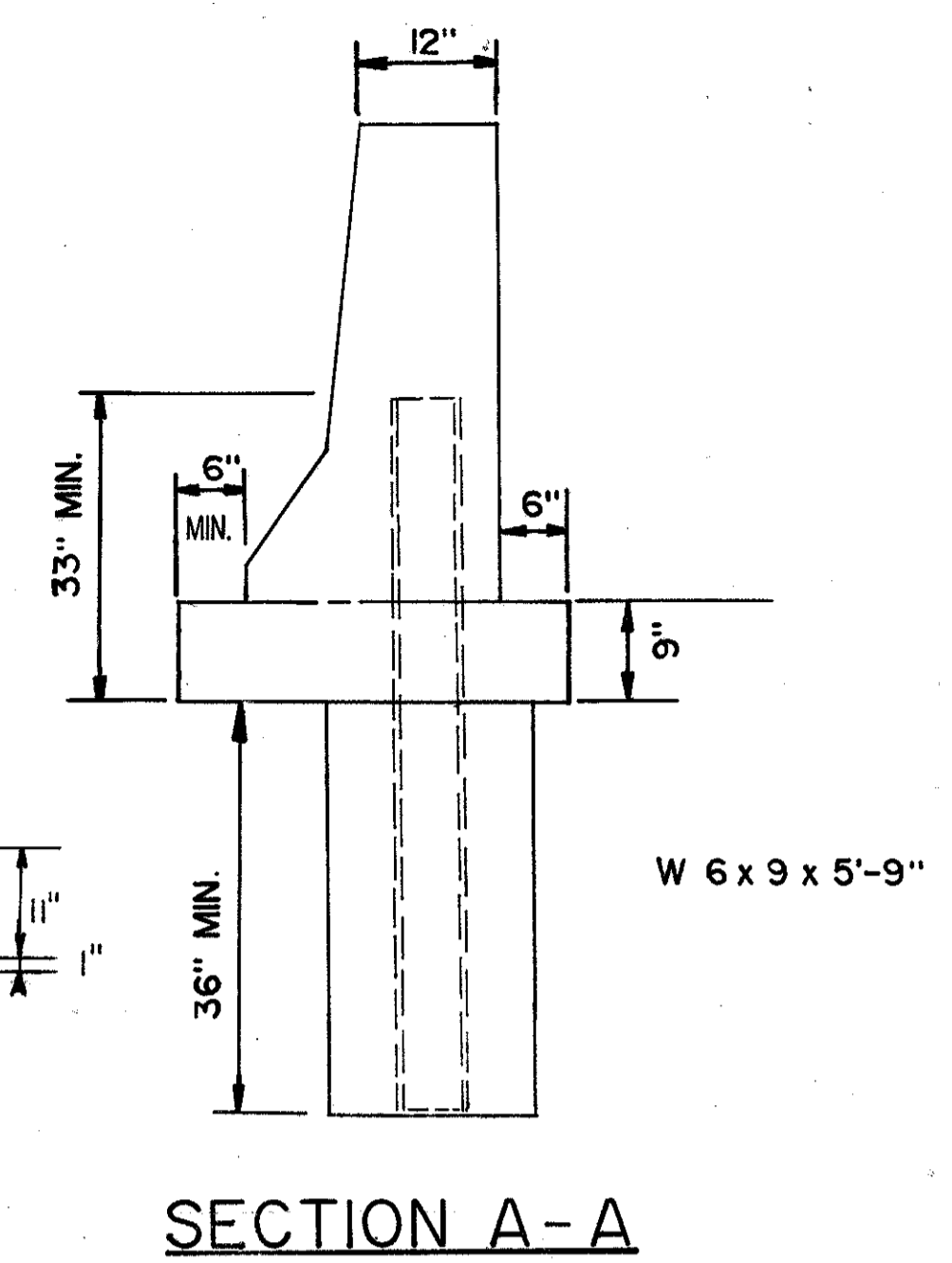
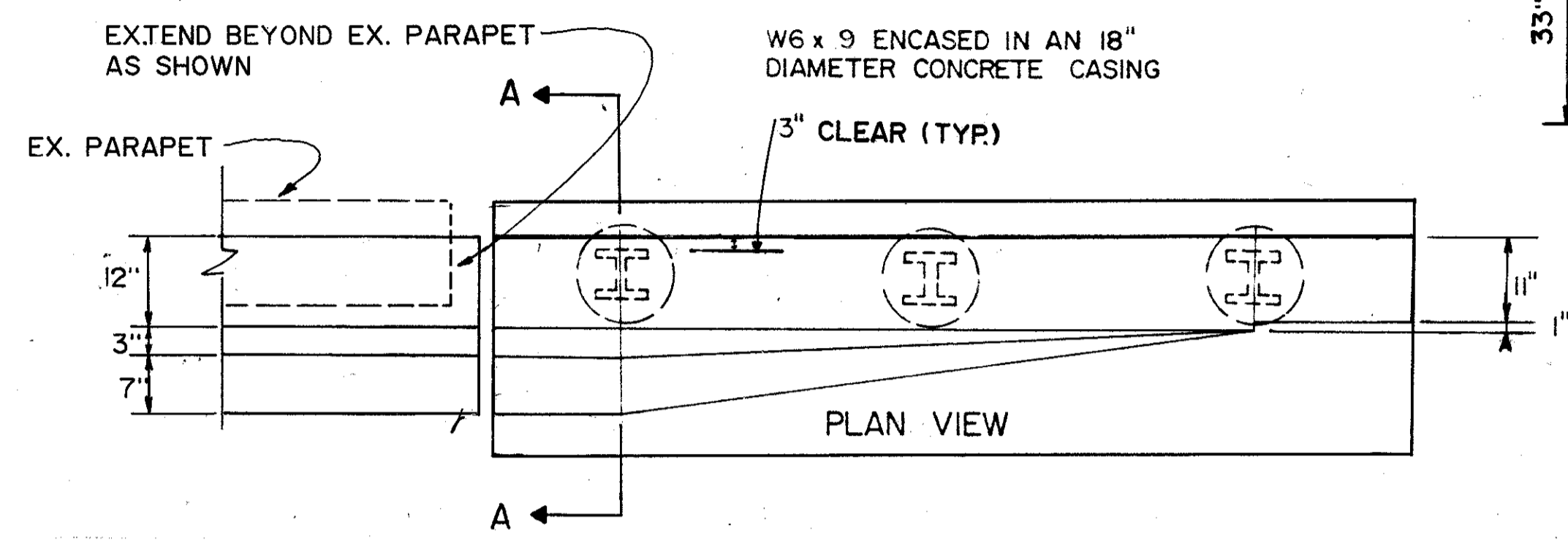
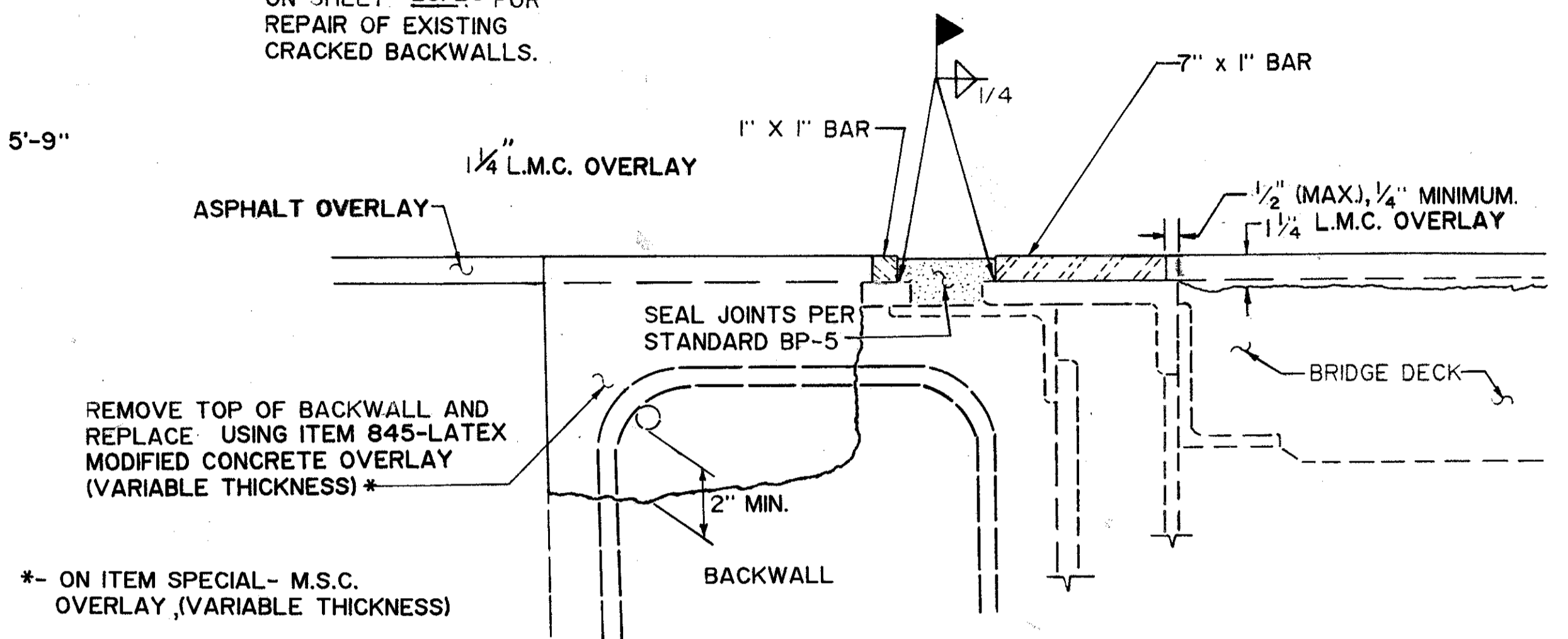


MICROFILMED
NOV 4 1992

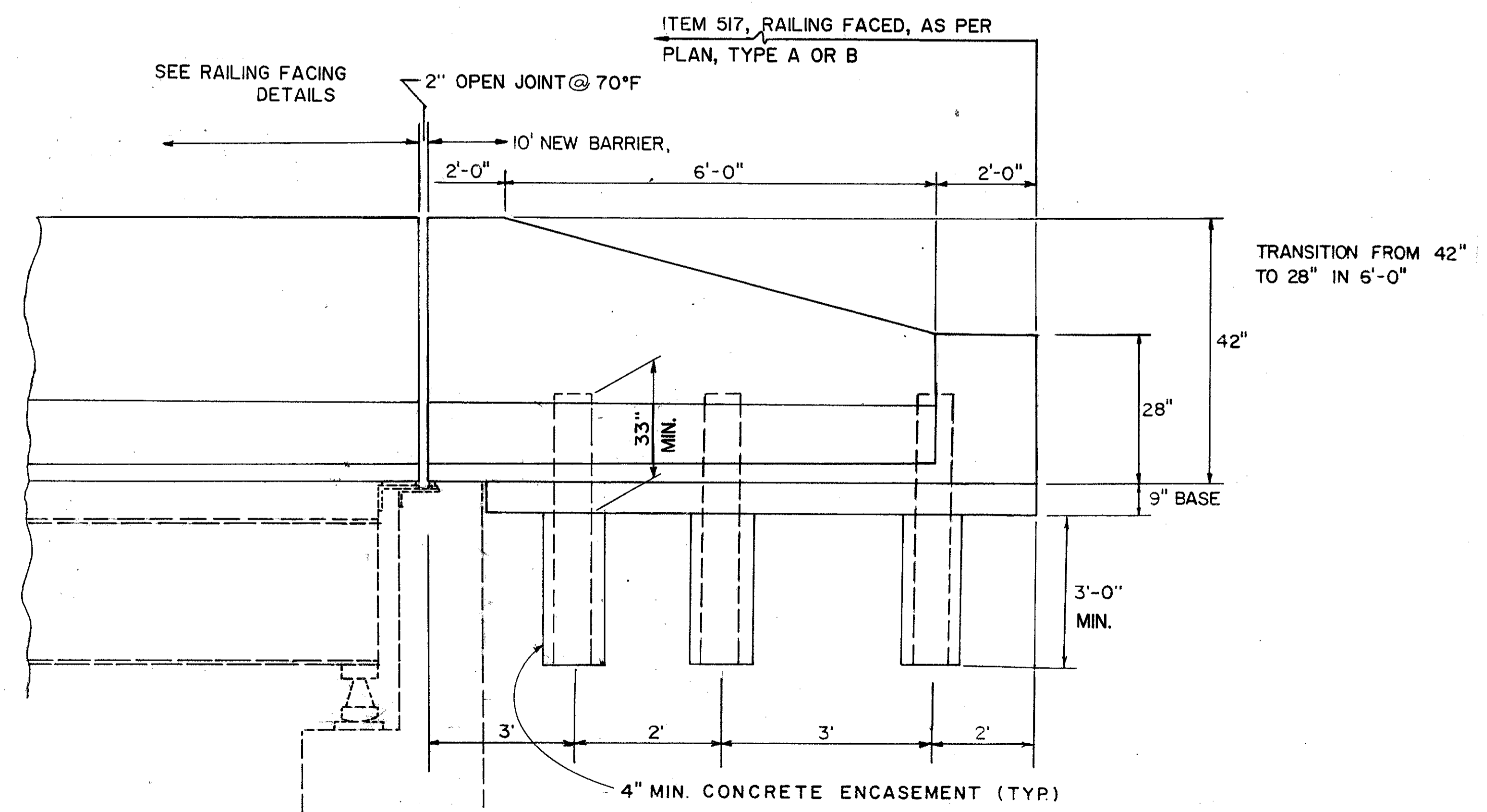


NOTE:
TOP OF BACKWALL TREATMENT SHOWN BELOW ALSO APPLIES TO BRIDGES PREVIOUSLY OVERLAYED. DETAILS, ALSO APPLIES TO CRACKED BACKWALL OF BRIDGES RECEIVING AN OVERLAY TO EXISTING GRADE. (NO JOINT RAISING)

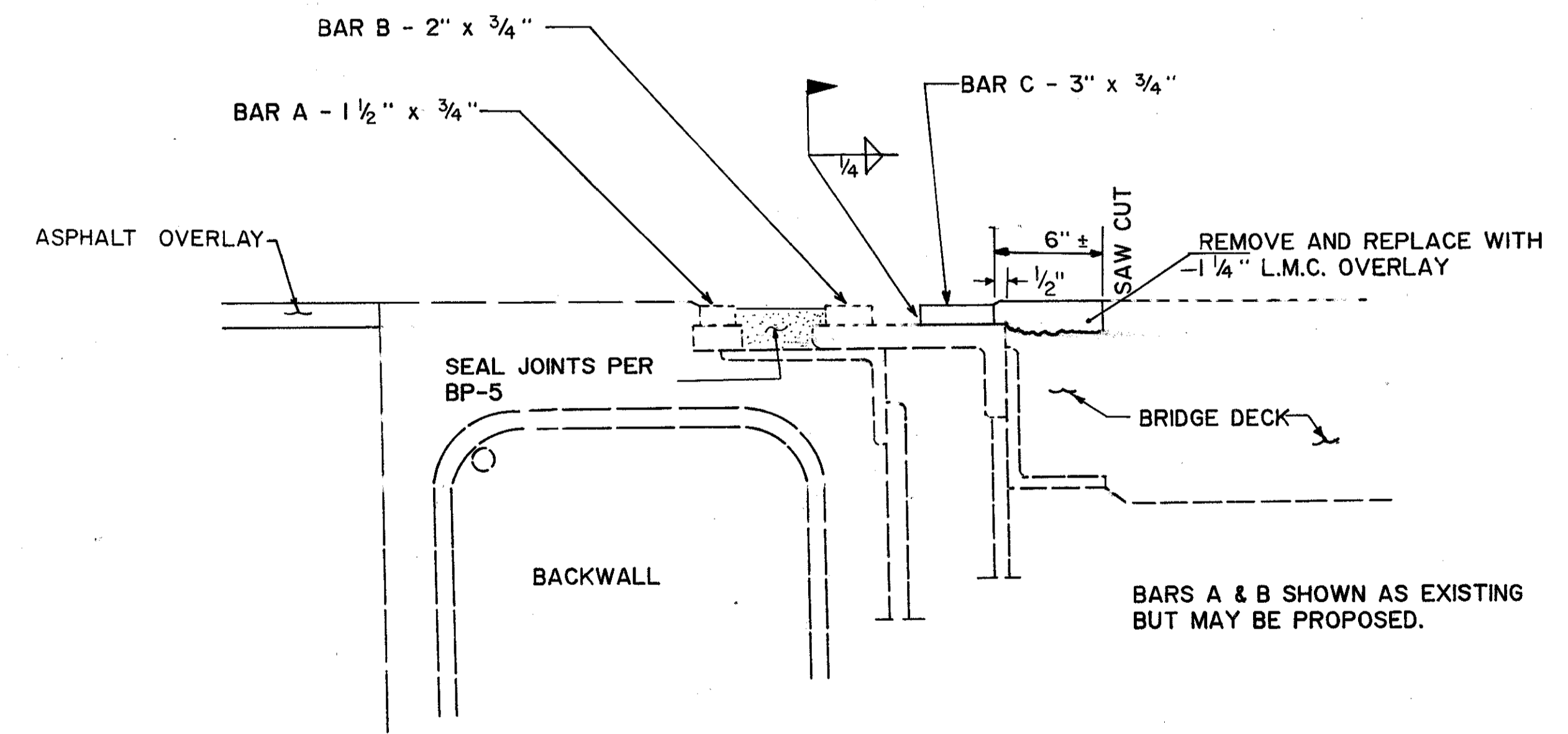
DETAIL BELOW APPLIES ONLY TO SOUND, UNCRACKED BACKWALLS. SEE DETAIL ON SHEET 23/26 FOR REPAIR OF EXISTING CRACKED BACKWALLS.



VERTICAL EXTENSION OF STRUCTURAL EXPANSION JOINTS, AS PER PLAN
TRIMMING JOINTS AS REQUIRED BY BP-5 NOT REQUIRED



CONCRETE BARRIER TRANSITION
BRIDGES WITHOUT WINGWALLS



VERTICAL EXTENSION OF STRUCTURAL EXPANSION JOINTS, AS PER PLAN

TYPE A, PROVIDE BAR A, ONLY
TYPE B, PROVIDE BAR B, ONLY
TYPE C, PROVIDE BAR C ONLY
BR. NO LAK-2-1656 L & R ONLY

STATE OF OHIO
DEPARTMENT OF TRANSPORTATION
DISTRICT 12 LOCATION & DESIGN

MISCELLANEOUS DETAILS
CONCRETE BARRIER EXTENSION
AND EXPANSION JOINT RAISINGS

LAKE COUNTY OHIO

DESIGNED ENF	TRACED MRB	CHECKED	REVIEWED	REVISED
DATE	DATE	DATE	DATE	DATE

SHEET 22/26