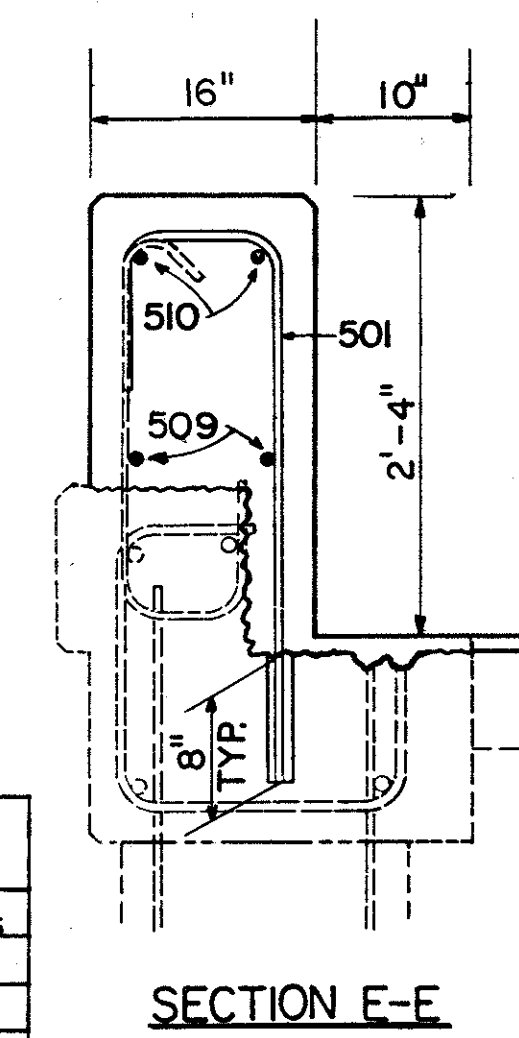
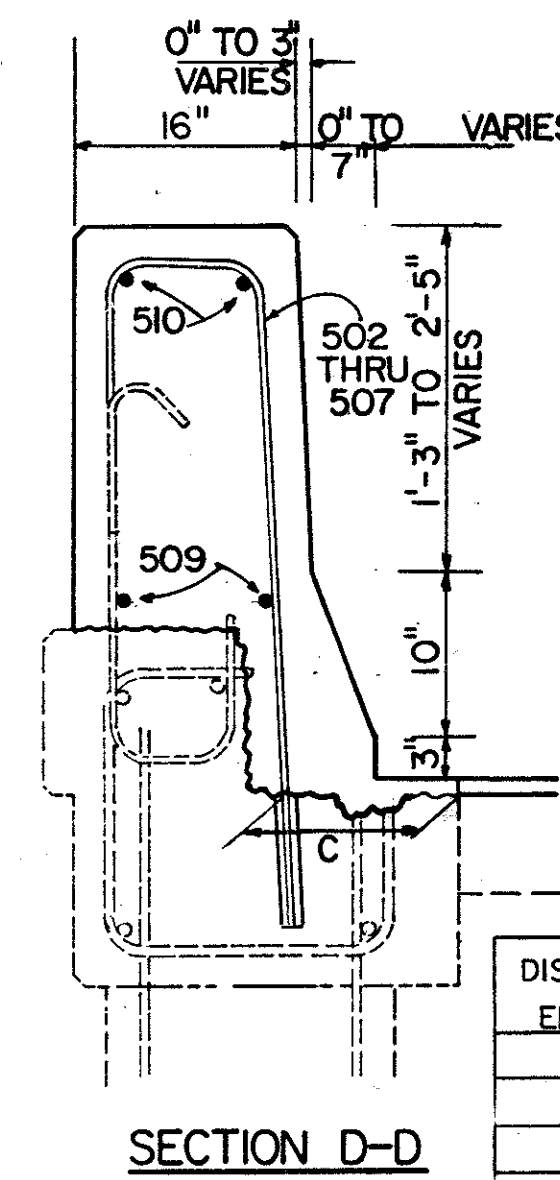
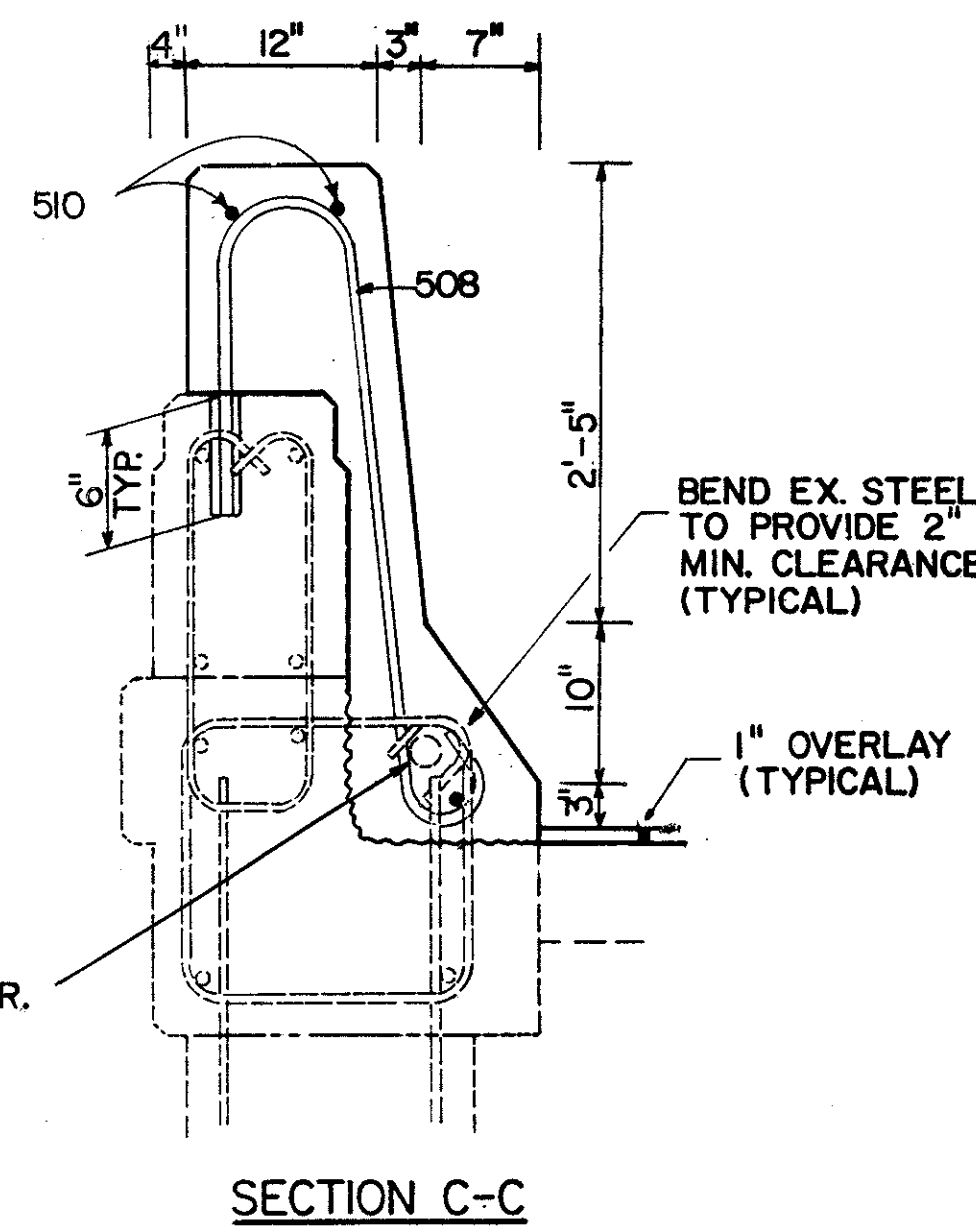
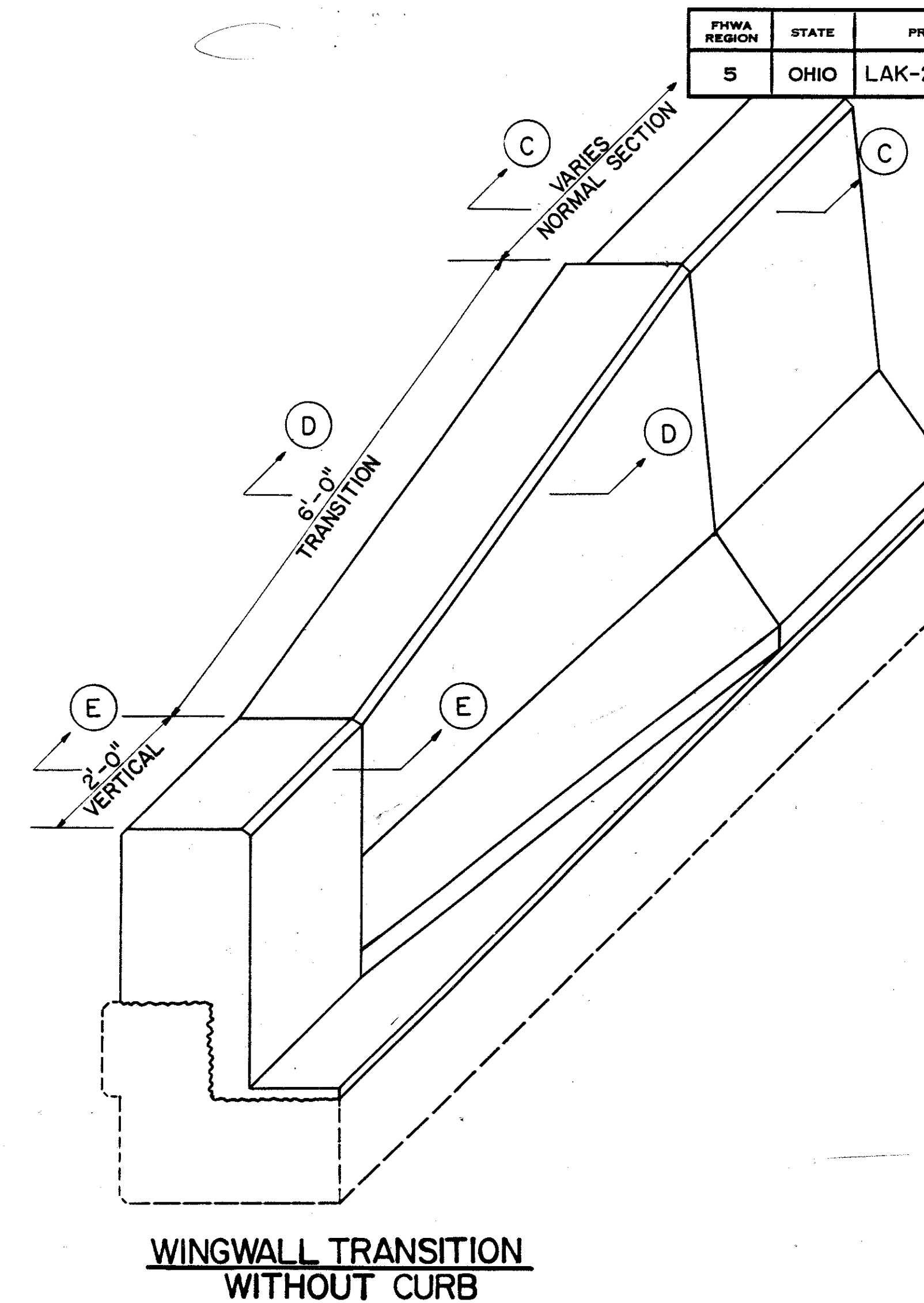


BAR	B	H	LENGTH
501	0	35"	4'-11"
502	0	35 1/2"	4'-11 1/2"
503	3/8"	38"	5'-2"
504	5/8"	40"	5'-4"
505	7/8"	42 1/2"	5'-6 1/2"
506	1"	45"	5'-9"
507	1 1/8"	47"	5'-11"
508	SAME AS R501	5'-8 1/2"	
509	STRAIGHT	7'-10"	
510	STRAIGHT	*	

* - WINGWALL LENGTH
MINUS 4 INCHES



DISTANCE FROM END OF WALL	BAR	DIM. "C"
3", 1'-3"	501	12 3/8
2'-3"	502	12 1/8
3'-3"	503	11 1/4
4'-3"	504	10 1/2
5'-3"	505	9 3/8
6'-3"	506	9 1/4
7'-3"	507	8 1/2

ALL REINFORCING STEEL BARS SHALL BE PREFIXED "W".

STATE OF OHIO
DEPARTMENT OF TRANSPORTATION
DISTRICT 12 LOCATION & DESIGN

WINGWALL RAILING
FACING DETAILS.

COUNTY _____ OHIO

DESIGNED ENF	TRACED	CHECKED	REVIEWED	REVISED
DATE	DATE	DATE	DATE	DATE

SHEET 21 / 26