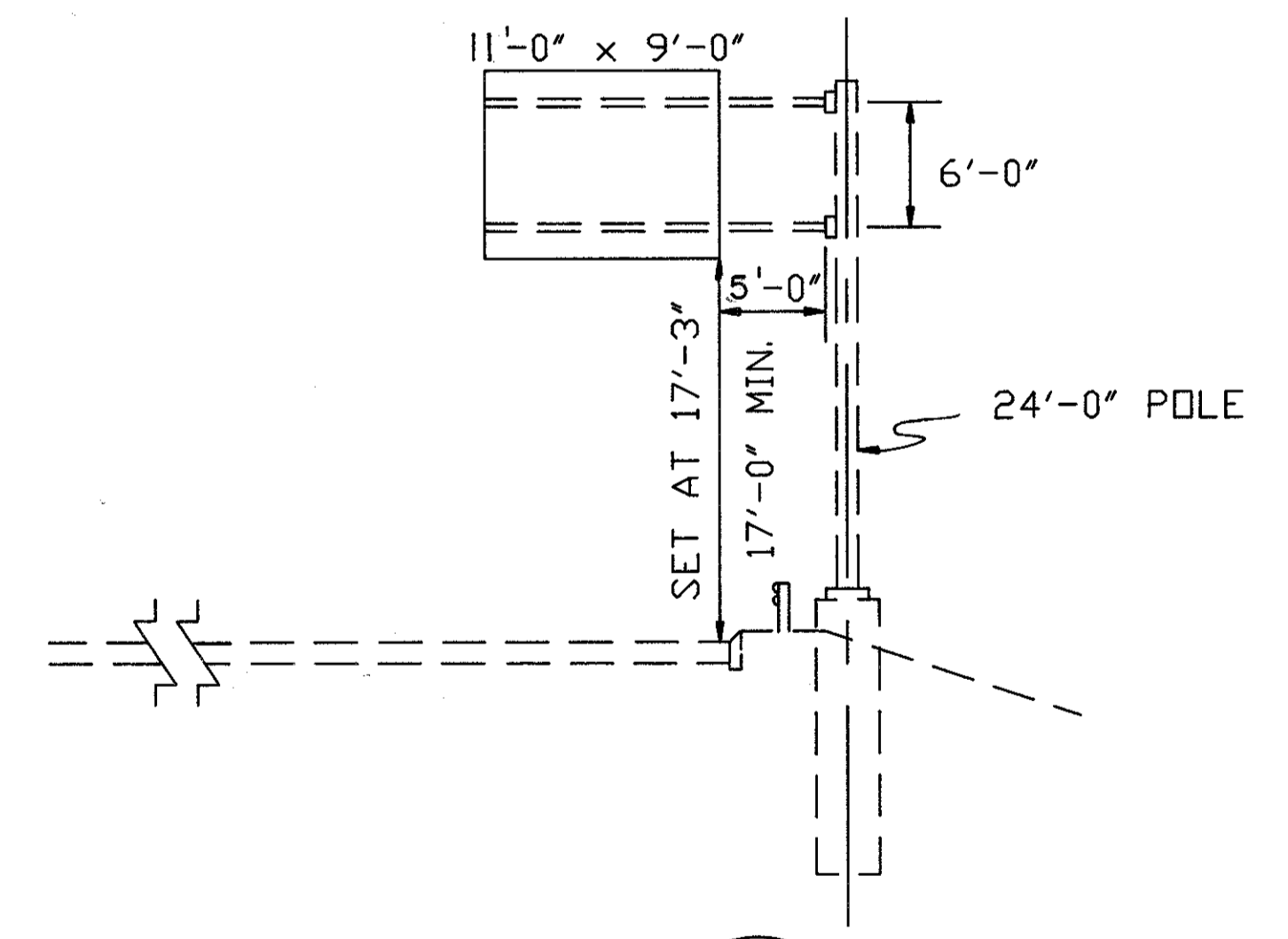


OVERHEAD SIGN NO. **325**  
 STA. 118+50 U.S. 20 (W.B.)  
 EXISTING TYPE 7.3 DES.# 2 (MOD.)



OVERHEAD SIGN NO. **327**  
 STA. 146+00 U.S. 20 (W.B.)  
 EXISTING TYPE 12.24 DES.# 5 (MOD.)