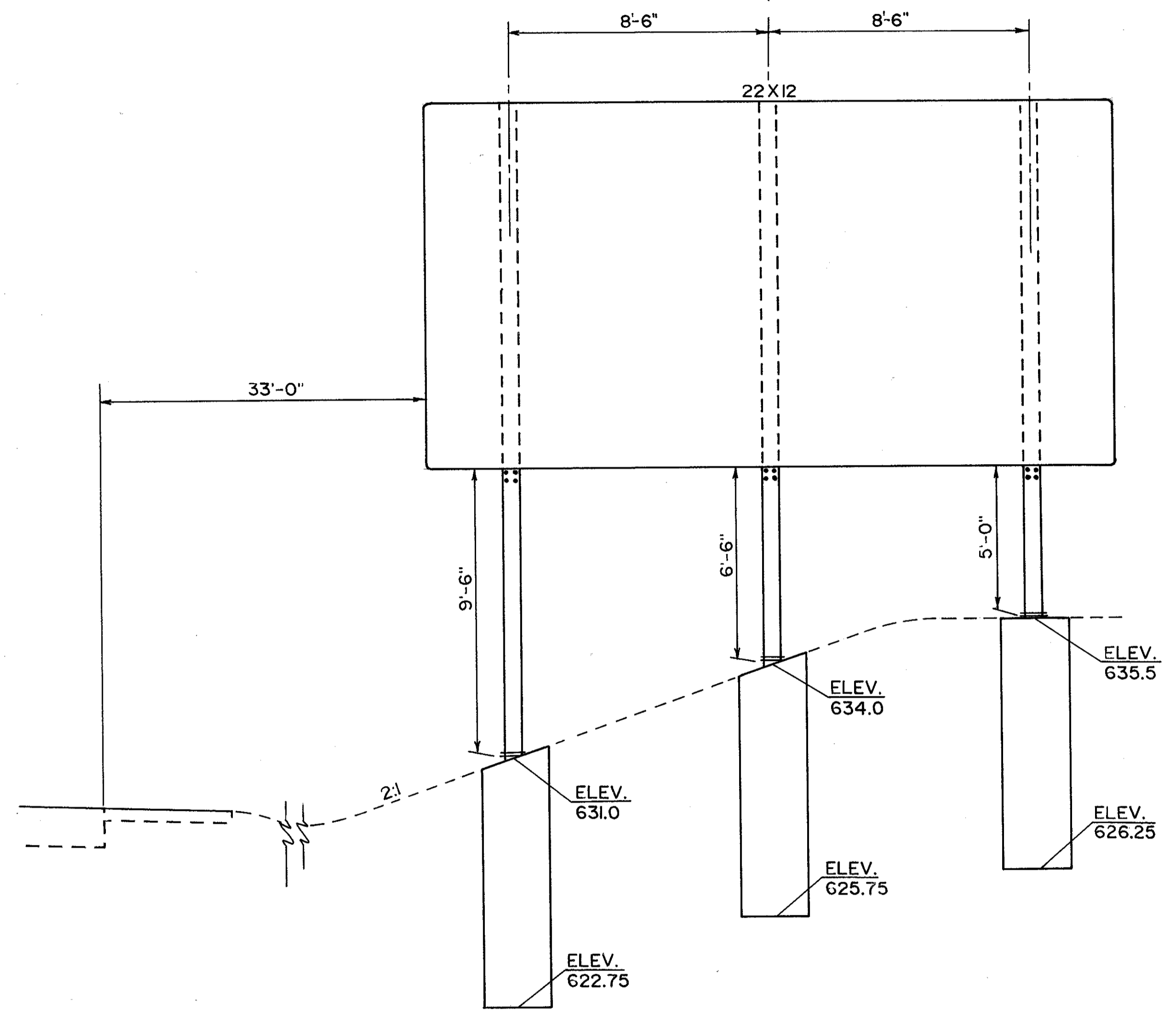


SIGN NO. (184)  
STA. 762+20 RT.  
THREE BEAMS (W12 X 30)  
(Breakaway)



SIGN NO. (193)  
STA. 791+00 RT.  
THREE BEAMS (W12 X 30)  
(Breakaway)