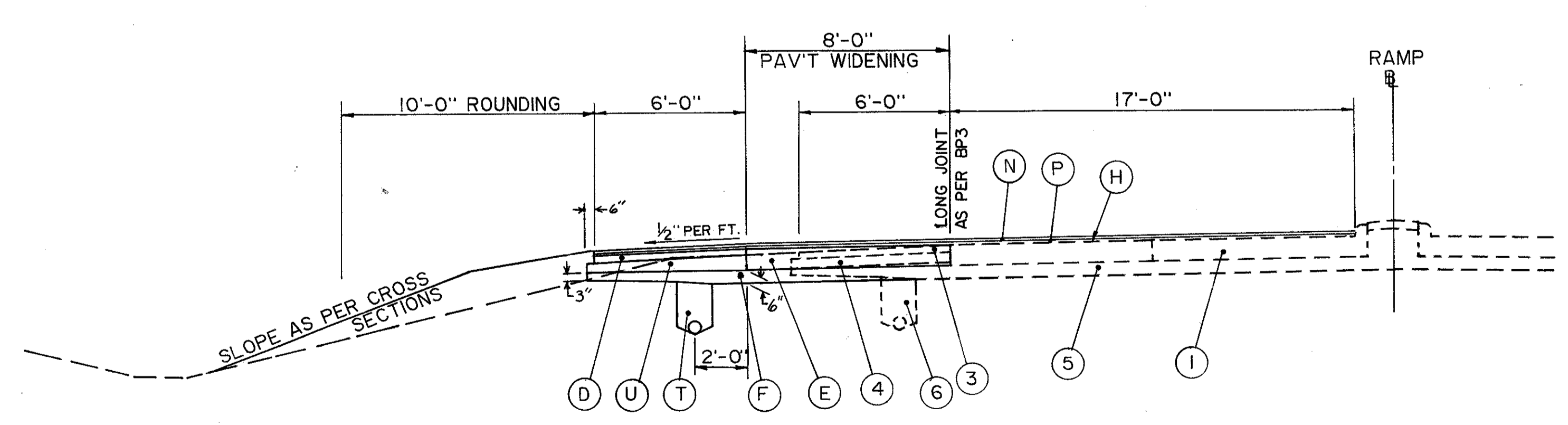


ESTIMATED QUANTITIES		
ITEM	DESCRIPTION	AMOUNT
202	PIPE REMOVED, 24" & UNDER	5 LIN. FT.
202	CURB REMOVED	61 LIN. FT.
203	SUBGRADE COMPACTION	430 SQ. YD.
301	BIT. AGG. BASE, AC - 20	19 CU. YD.
304	AGGREGATE BASE	35 CU. YD.
305	9" CONCRETE BASE	227 SQ. YD.
310	SUBBASE, TYPE II, AS PER PLAN	76 CU. YD.
605	6" UNCLASSIFIED PIPE UNDERDRAINS, AS PER PLAN.	322 LIN. FT.
609	CURB, TYPE 6	54 LIN. FT.

NOTE: FOR EARTHWORK QUANTITIES SEE CROSS SECTIONS SHEET No. 55.

- LEGEND** - SEE SHEET NO. 3 FOR ITEMS NOT LISTED
- PROPOSED**
- (T) - ITEM 605 6" UNCLASSIFIED PIPE UNDERDRAINS, AS PER PLAN
 - (U) - ITEM 304 AGGREGATE BASE (6" THICK)



SECTION A-A
SCALE: 1/4" = 1'-0"