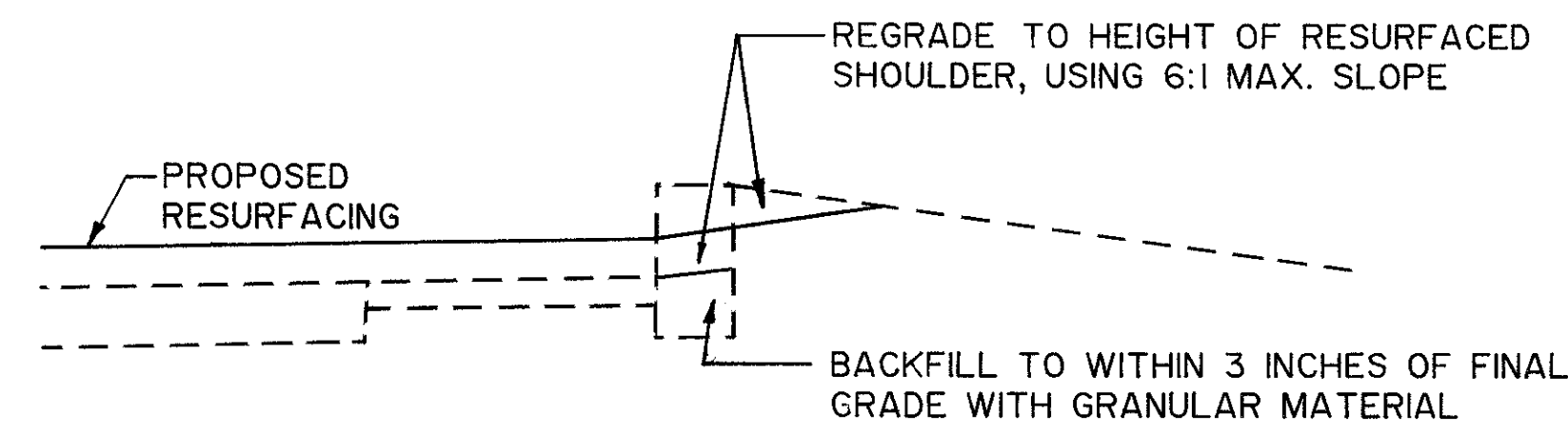


ITEM 202 - CURB REMOVED, AS PER PLAN

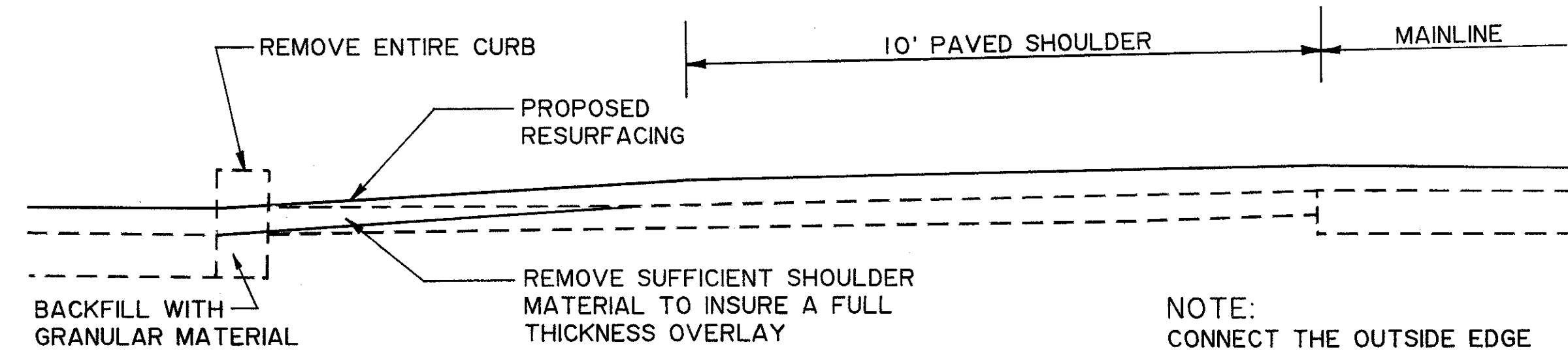
THE FOLLOWING DETAILS AND SPECIFICATIONS SHALL APPLY TO THIS ITEM OF WORK:

CASE I



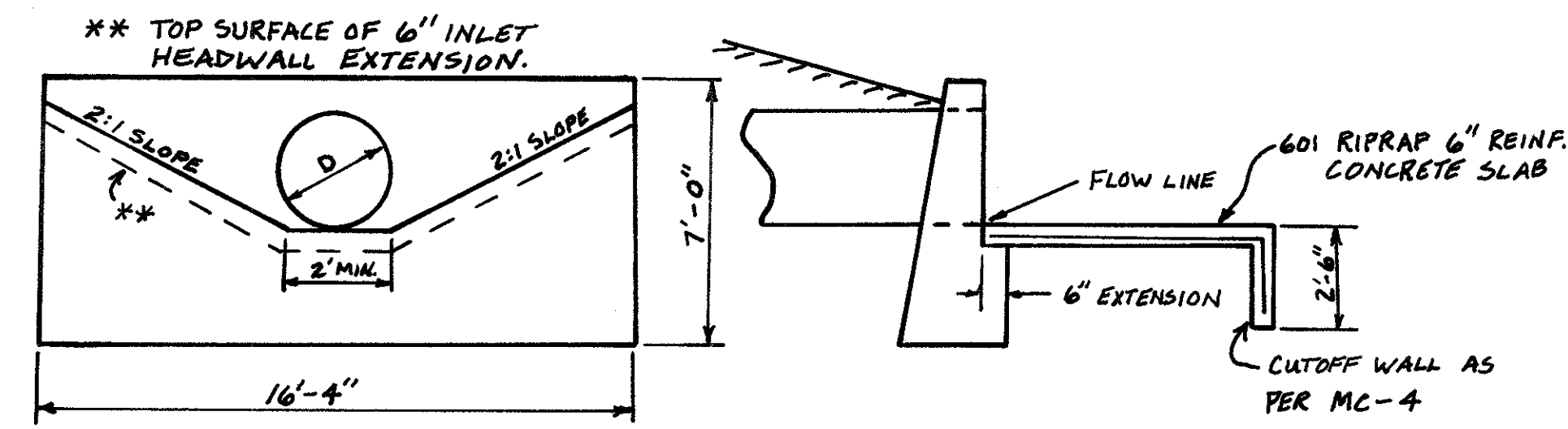
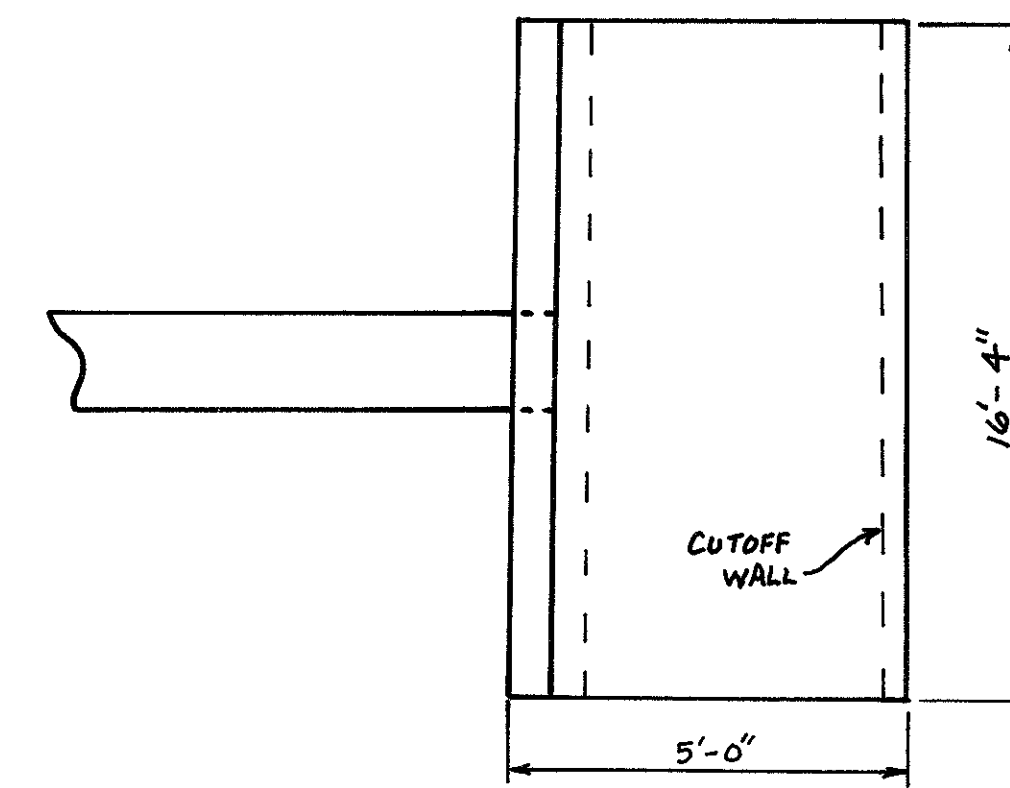
NOTE:  
RESTORE DISTURBED AREA IN CONFORMANCE WITH ITEM 659.  
ALL WORK SHOWN SHALL BE INCLUDED UNDER ITEM 202 (WITH THE EXCEPTION OF THE RESURFACING ITEMS.)

CASE 2

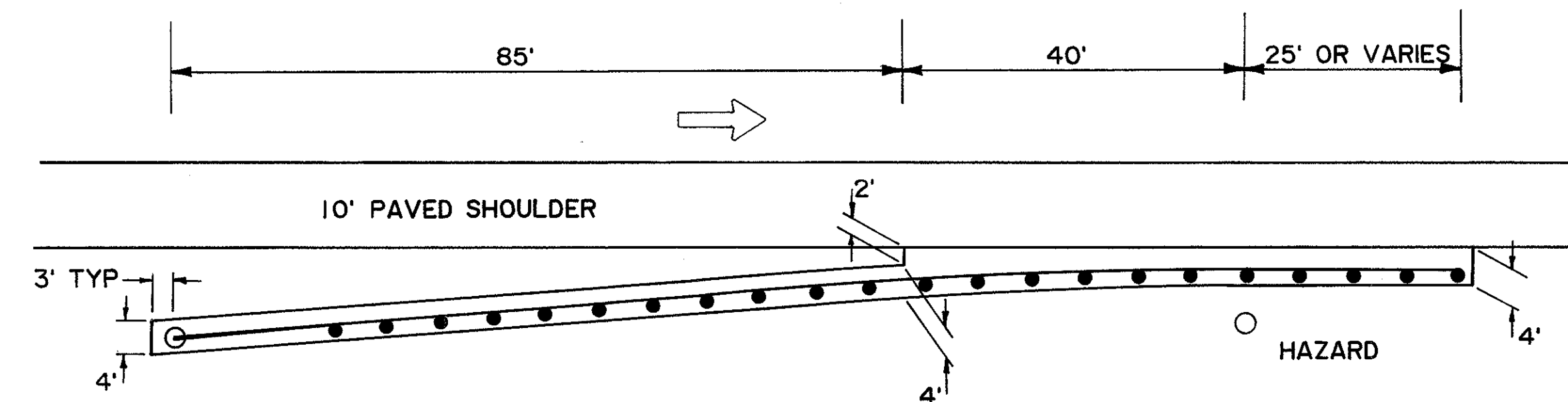


NOTE:  
CONNECT THE OUTSIDE EDGE OF THE 10 FT. PAVED SHOULDER AND THE CURB GUTTER LINE WITH A STRAIGHT GRADE.

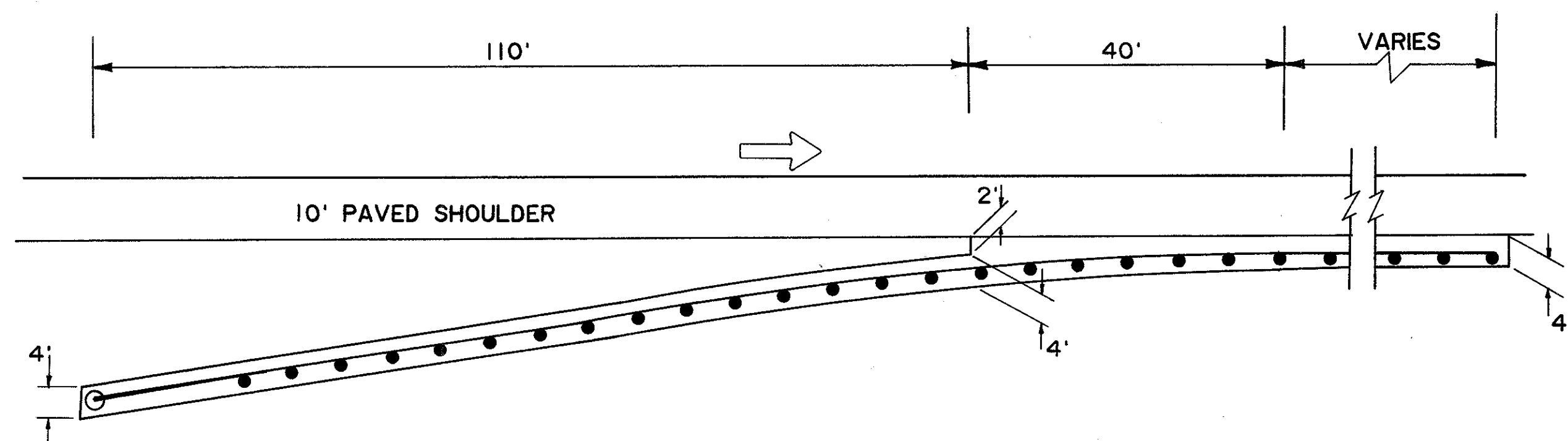
ESTIMATED QUANTITIES				
RAMP NO.	COST PARTICIPATION CODE	LOCATION		202
		FROM	TO	CURB REMOVED AS PER PLAN
				LIN. FT.
C	I	18+66	20+08	146
F	I	19+35	21+39	209
TOTALS:		I- CITY OF PAINESVILLE		355



HW-1 HEADWALL WITH RIPRAP



ITEM 404 FOR EROSION CONTROL WITH 8.31' GUARDRAIL FLARE



ITEM 404 FOR EROSION CONTROL WITH 18' GUARDRAIL FLARE