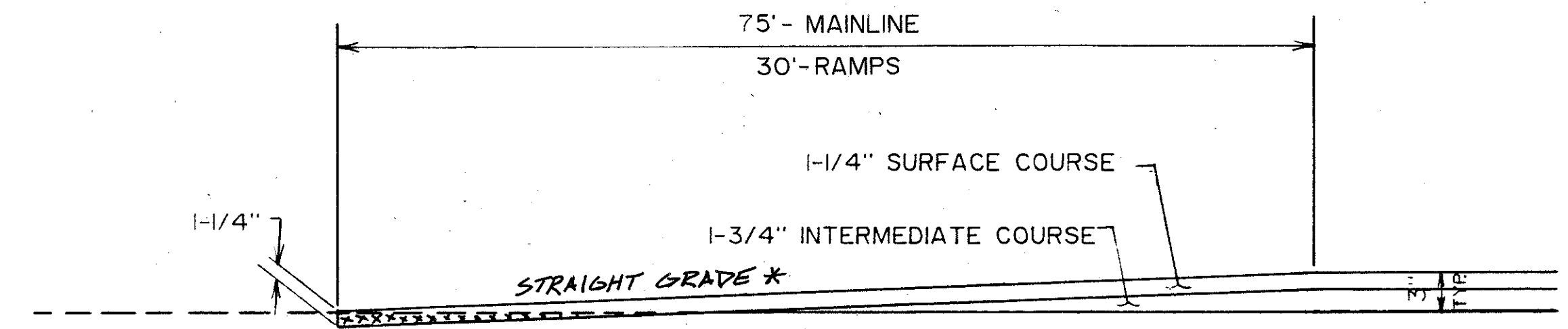


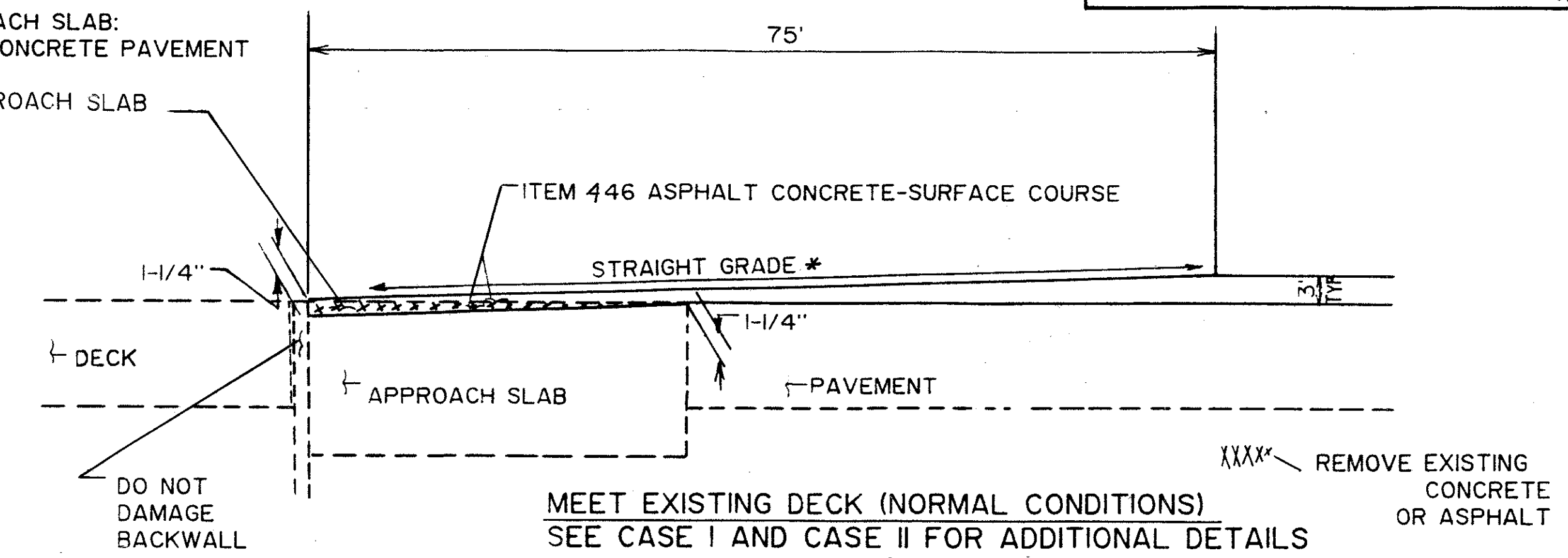
**MEET EXISTING OVERLAY**



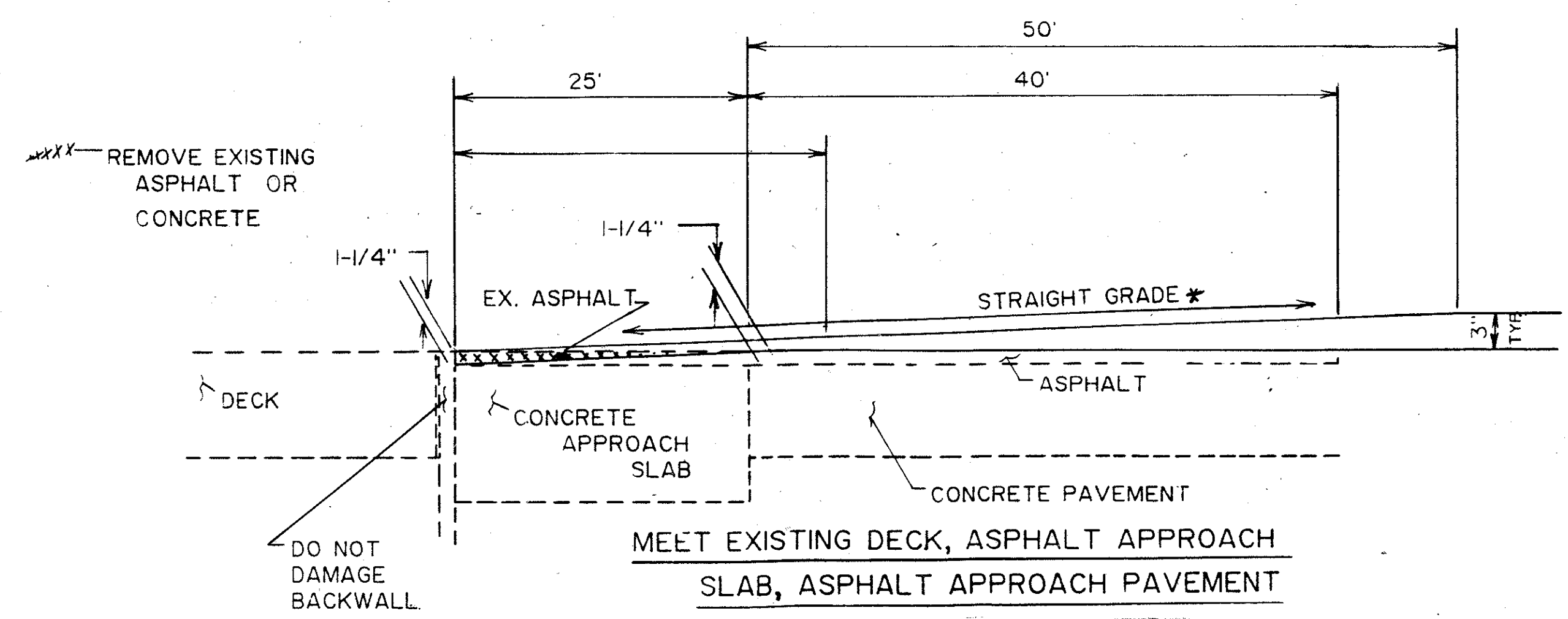
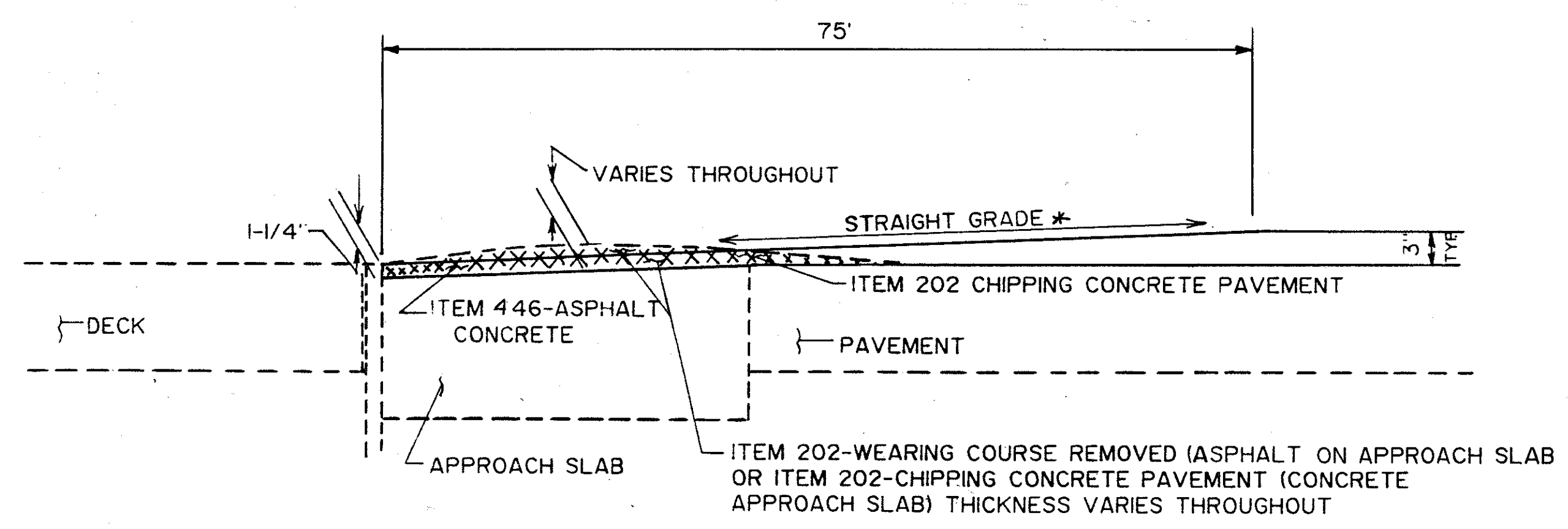
**NO OVERLAY**

\* SEE SHEET 36 FOR ADDITIONAL REQUIREMENTS AND ALLOWABLE TOLERANCES. THE CONTRACTOR IS TO PROVIDE THE NECESSARY SURVEY WORK TO SHOW THAT THESE STRAIGHT GRADES ARE MET.

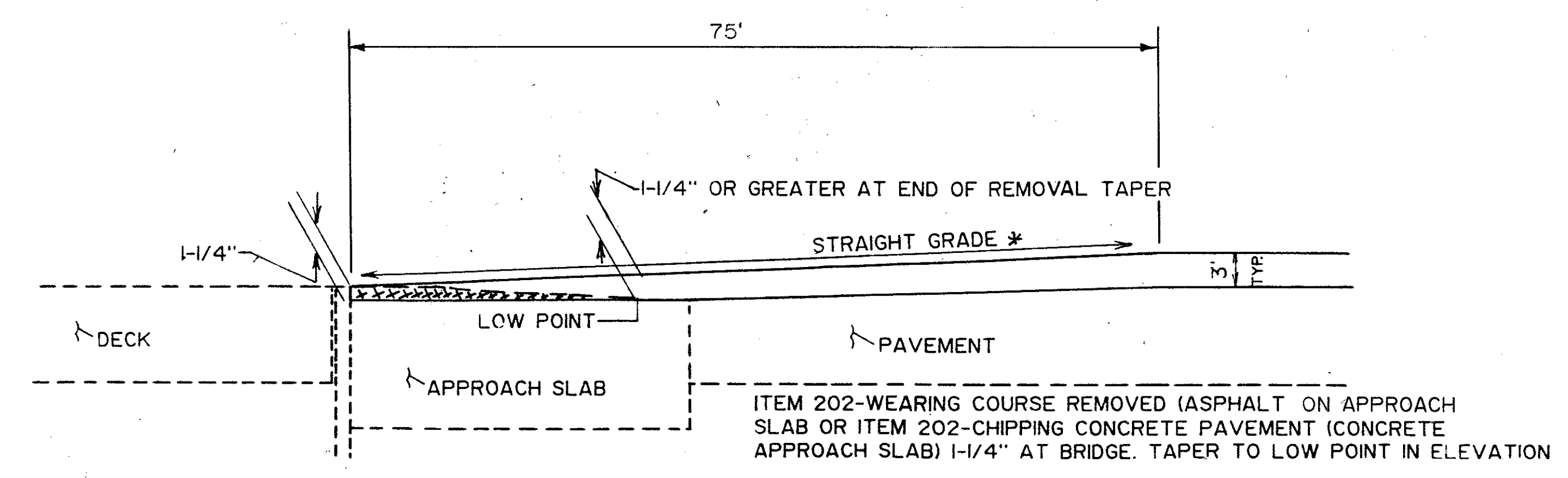
IF CONCRETE APPROACH SLAB:  
ITEM 202-CHIPPING CONCRETE PAVEMENT  
1-1/4" TO 0"  
IF ASPHALT ON APPROACH SLAB  
ITEM 202-WEARING COURSE REMOVED  
1-1/4" TO 0"



**CASE I - EXISTING APPROACH SLAB HIGH**



**MEET EXISTING DECK, ASPHALT APPROACH SLAB, ASPHALT APPROACH PAVEMENT**



**CASE 2 - EXISTING APPROACH SLAB LOW**