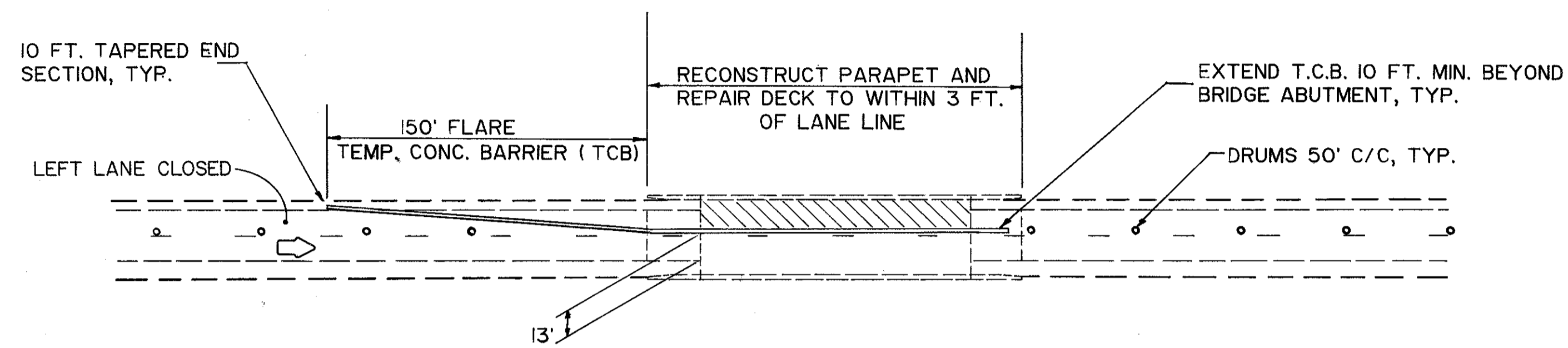
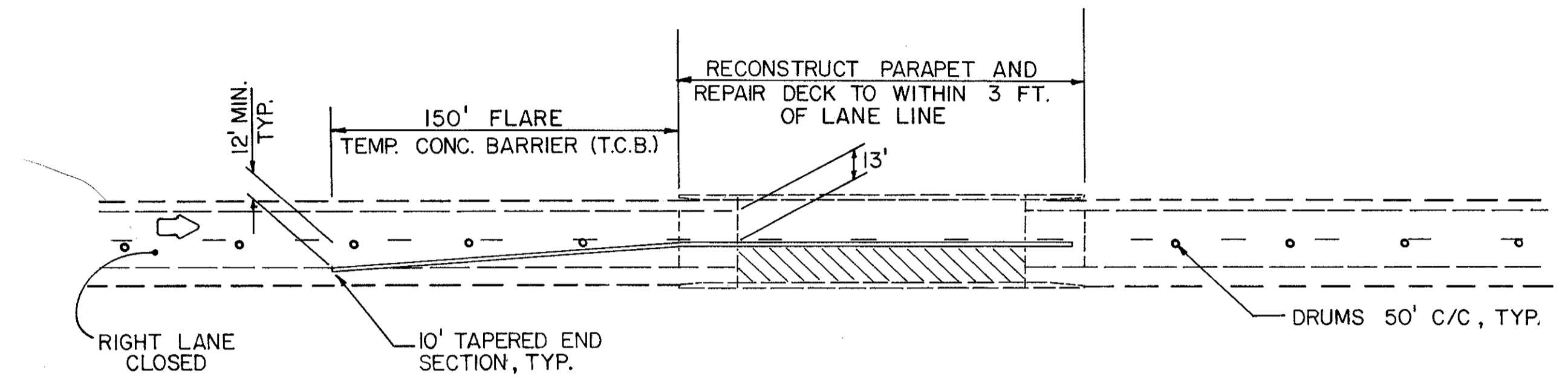


# TRAFFIC MAINTENANCE

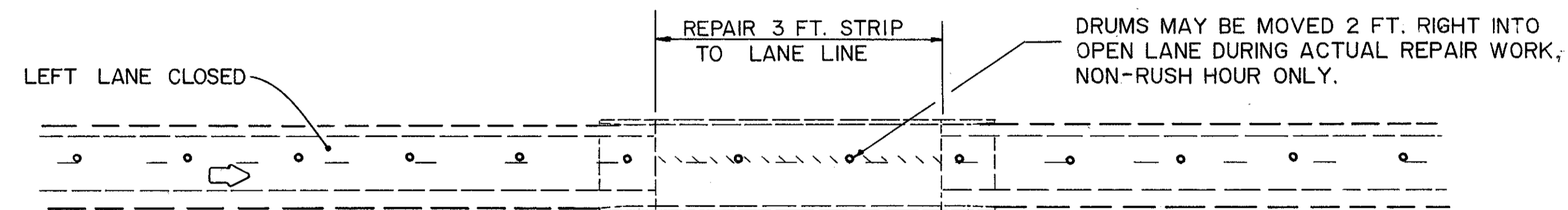
BR. NO. LAK-2-1476 R  
BR. NOS. LAK-2-1656 L & R  
BR. NO. LAK-2-1476 L (PHASE I & IA ONLY)



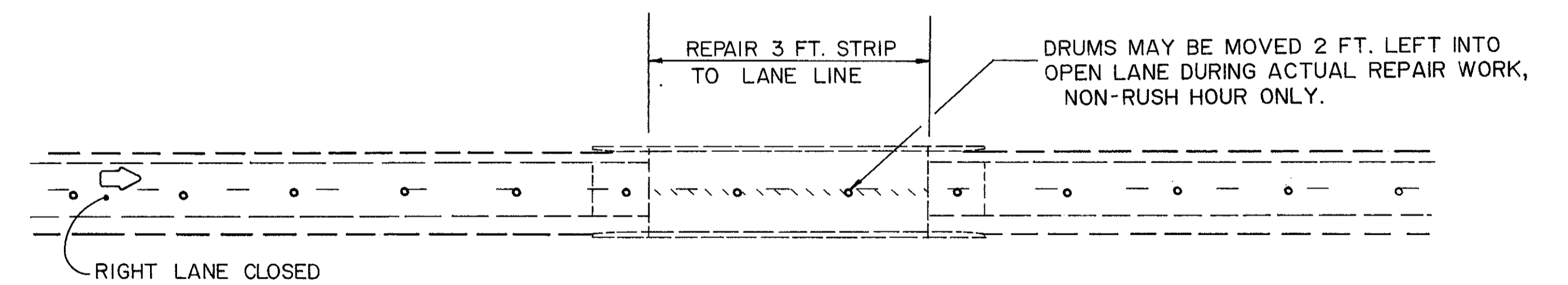
PHASE I



PHASE II



PHASE IA



PHASE II A