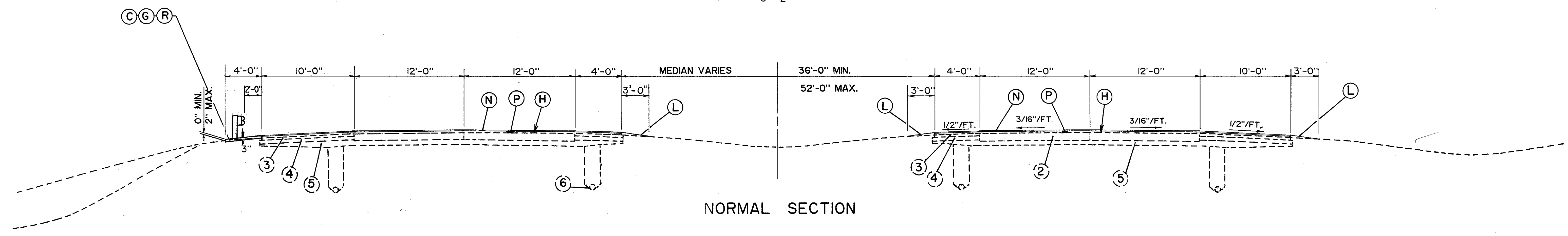
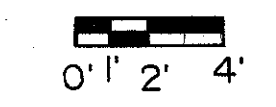


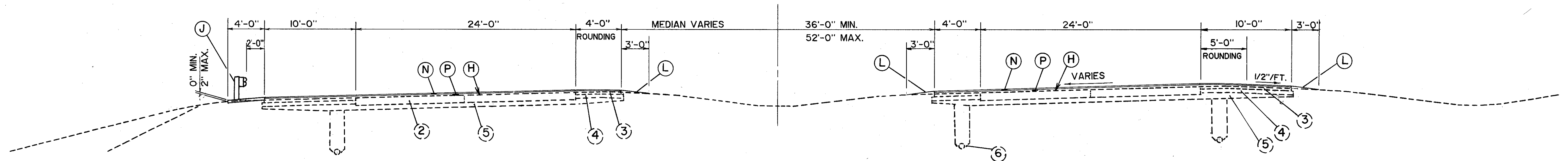
# TYPICAL SECTIONS

TYPE 446



NORMAL SECTION

STA. 651+55 (E.B) TO STA. 779+26.80 BACK } =  
 STA. 657+25 (W.B) TO STA. 779+26.80 BACK } =  
 STA. 779+24.64 AHEAD TO STA. 812+29.40 BACK =  
 STA. 812+30.15 AHEAD TO STA. 892+45



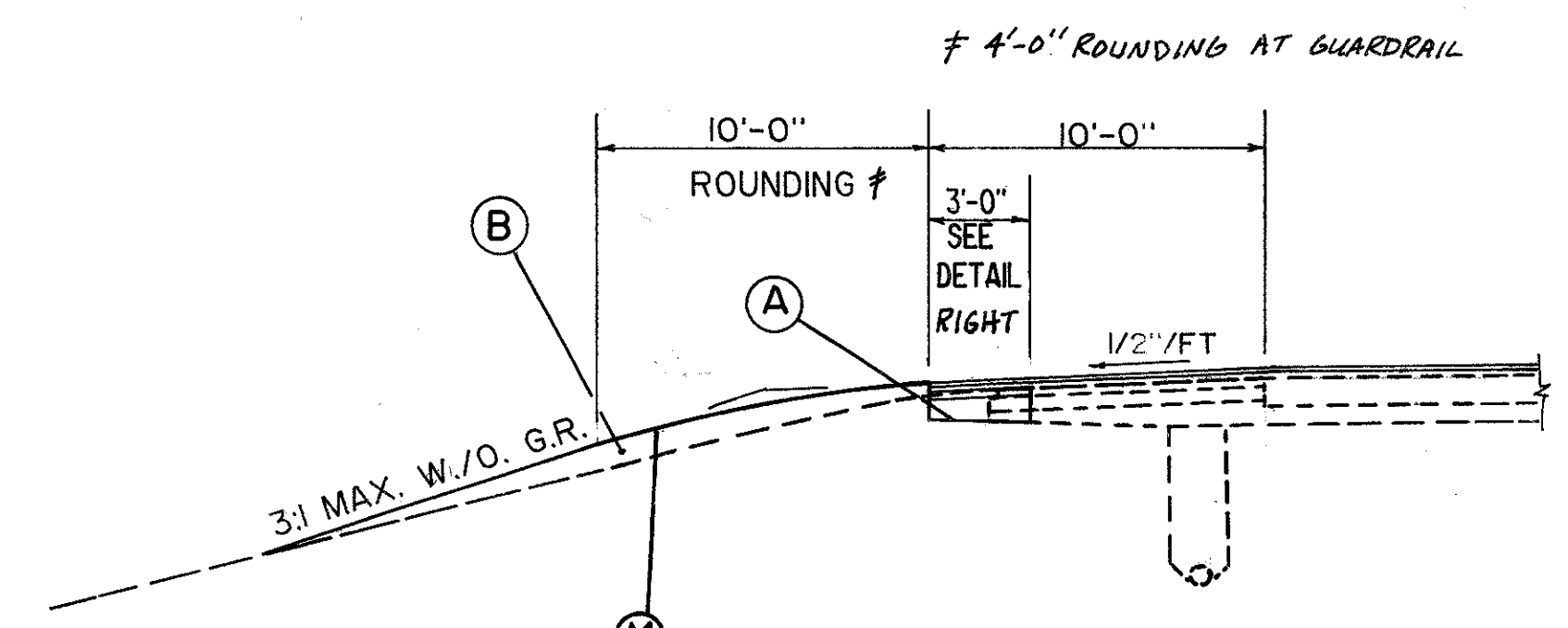
SUPERELEVATED SECTION

PROPOSED LEGEND

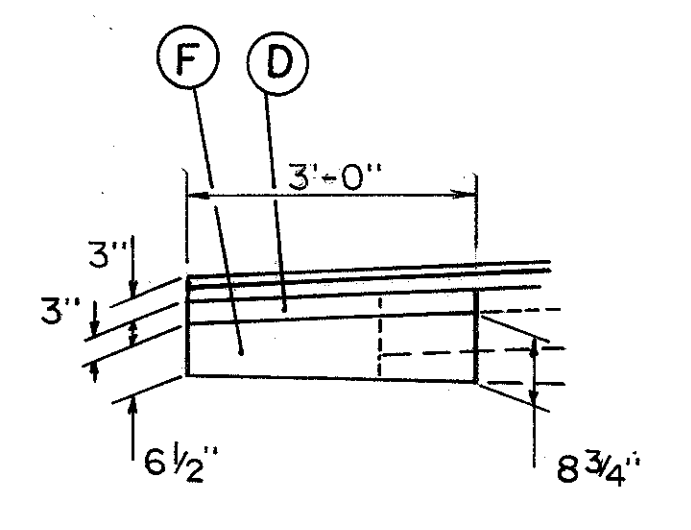
- (A) ITEM 203 EXCAVATION NOT INCLUDING EMBANKMENT CONSTRUCTION
- (B) ITEM 203 EMBANKMENT, AS PER PLAN
- (C) ITEM 203 LINEAR GRADING
- (D) ITEM 301 BITUMINOUS AGGREGATE BASE, AC-20
- (E) ITEM 305 9" CONCRETE BASE, AS PER PLAN
- (F) ITEM 310 SUBBASE, TYPE II, AS PER PLAN
- (G) ITEM 404 ASPHALT CONCRETE, AC-20
- (H) ITEM 407 TACK COAT
- (J) ITEM 606 GUARDRAIL, TYPE 5
- (L) ITEM 617 COMPACTED AGGREGATE
- (M) ITEM 659 SEEDING AND MULCHING
- (N) ITEM 446 1 1/4" ASPHALT CONCRETE SURFACE COURSE, TYPE 1, AS PER PLAN
- (P) ITEM 446 1 3/4" ASPHALT CONCRETE INTERMEDIATE COURSE, TYPE 2 (1 3/4" AVERAGE)
- (R) ITEM SPEC. HERBICIDES FOR WEED CONTROL

EXISTING

- (1) 9" REINFORCED CONCRETE PAVEMENT
- (2) 10" REINFORCED CONCRETE PAVEMENT
- (3) BITUMINOUS AGGREGATE BASE
- (4) AGGREGATE BASE
- (5) SUBBASE
- (6) UNDERDRAIN, 18" MIN, 60" MAX.
- (7) 4" CONCRETE MEDIAN
- (8) CURB



SPEED CHANGE  
LANE SHOULDER



TYPICAL SHOULDER  
WIDENING