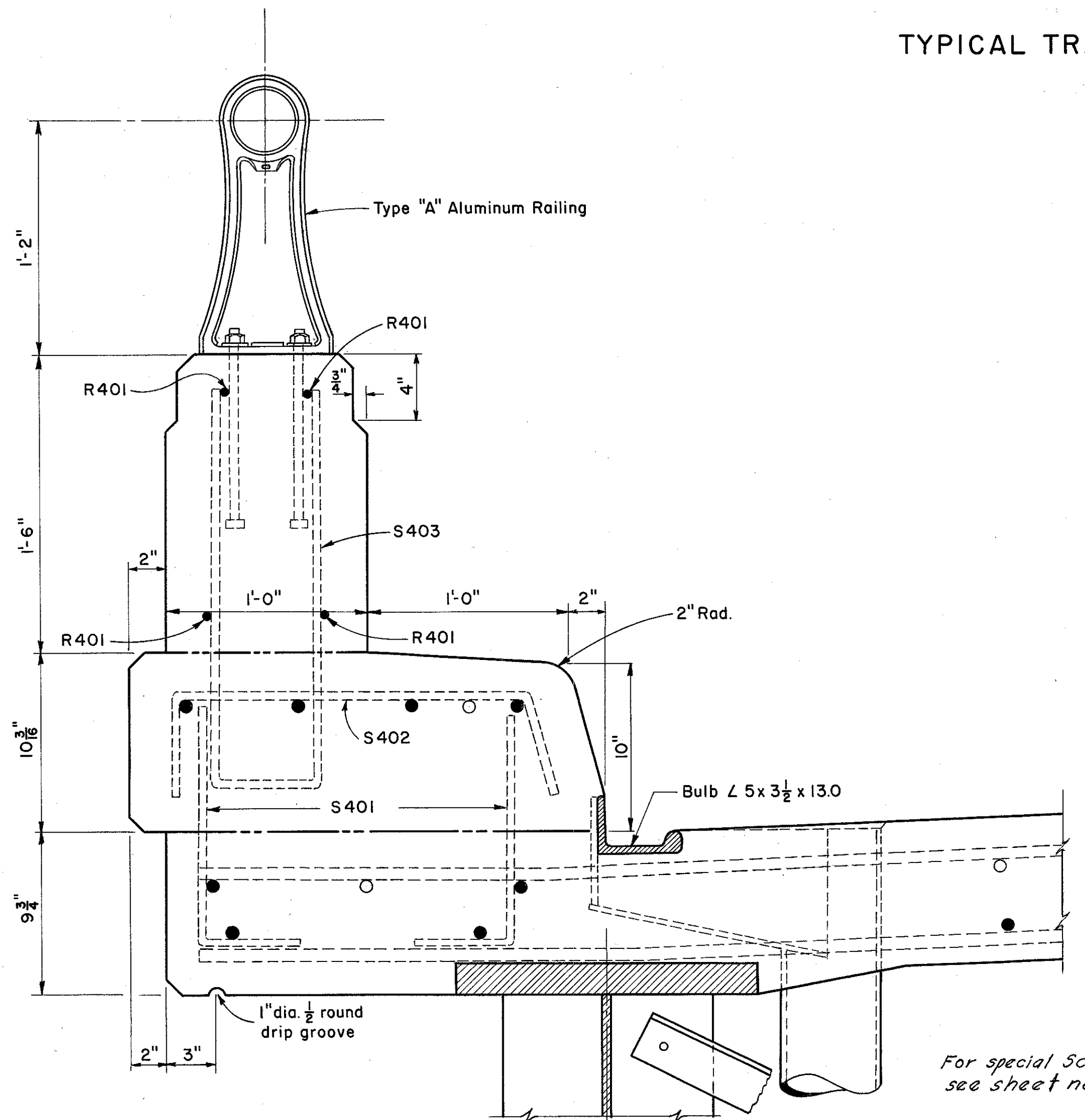
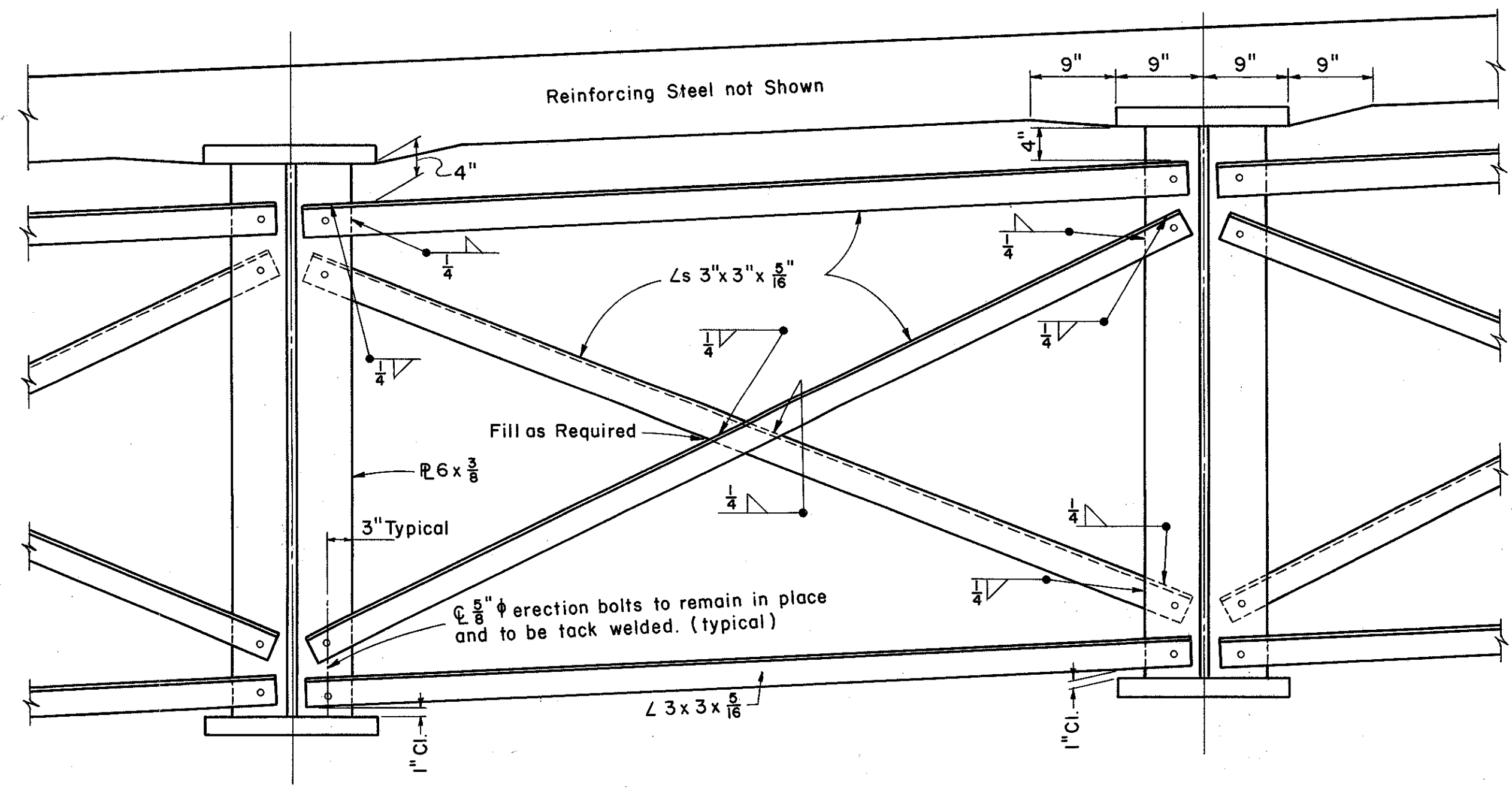


TYPICAL TRANSVERSE SECTION FOR LEFT BRIDGE (RADIAL)



PARAPET DETAILS



SPECIAL CROSSFRAME AT BEND POINTS

\* DECK SLAB DEPTH  
 Abut. #1: 9 3/4"  
 Pier #1: 8 1/2"  
 Pier #2: 8 1/2"  
 Pier #3: 8 1/2"  
 Pier #4: 9 1/2"  
 Abut. #2: 9 3/4"  
 For notes see other Deck Detail sheet

PREPARED BY  
CAPITOL ENGINEERING ASSOCIATES, DILLSBURG, PA.  
FOR

STATE OF OHIO  
DEPARTMENT OF HIGHWAYS  
DIVISION OF DESIGN AND CONSTRUCTION  
BUREAU OF BRIDGES

DECK DETAILS LEFT BRIDGE  
BRIDGE NO. LAK-2-1471 L & R  
RELOC. S. R. 2 OVER B.&O. R.R. - S.R. 283  
LAKE COUNTY

STA. 680 + 56.97

DESIGNED HCM	DRAWN AMS	TRACED FWB	CHECKED HCM	REVIEWED DATE	REVISED
-----------------	--------------	---------------	----------------	---------------	---------