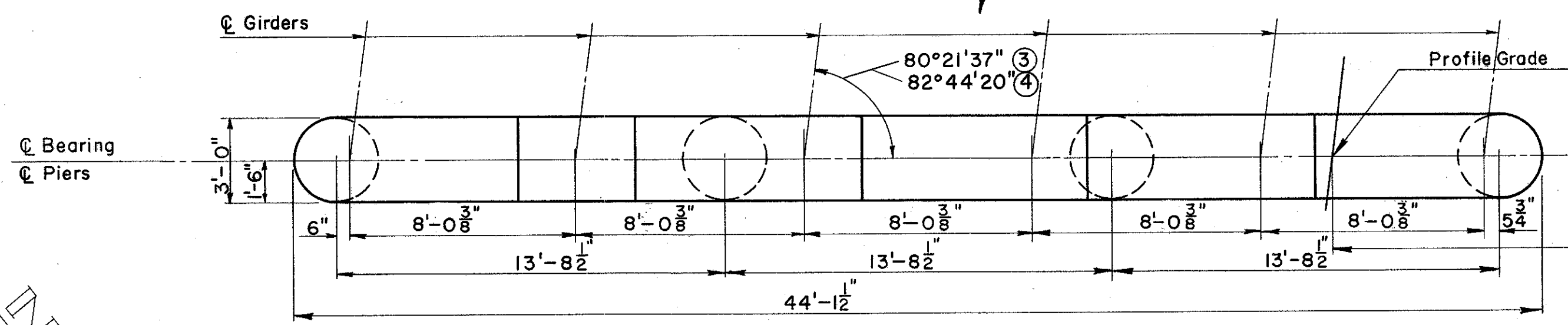


MICROFILMED  
JUL 9 1986

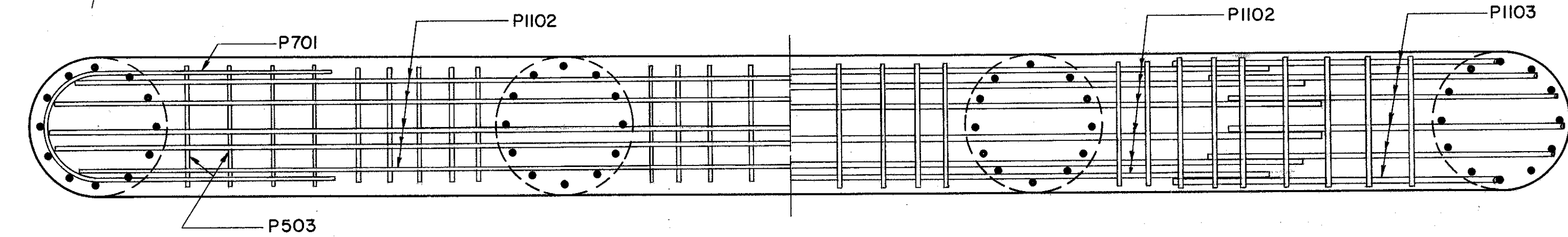
FED. RD. DIVISION	STATE	PROJECT
2	OHIO	

311  
384

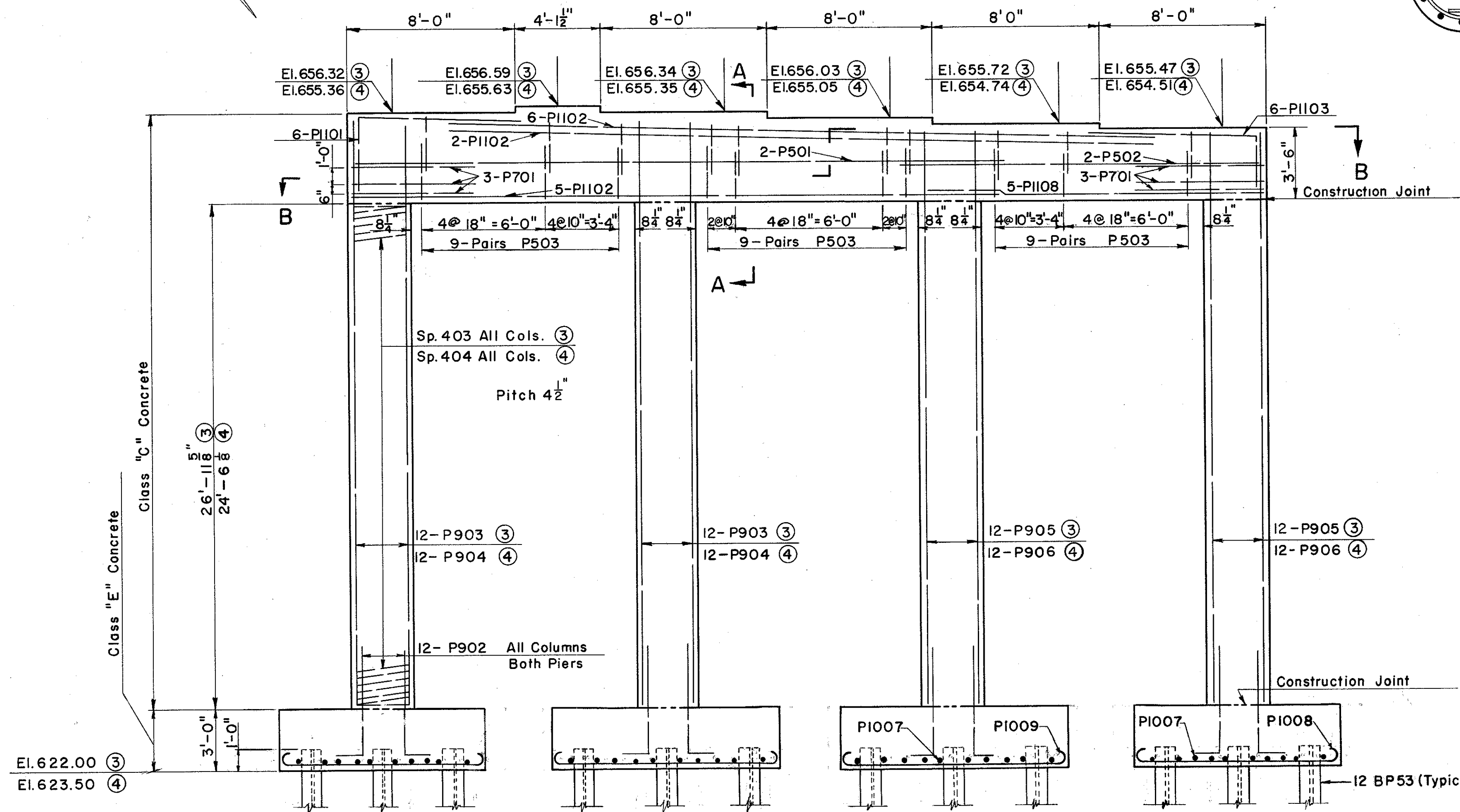
LAKE COUNTY  
SEC. LAK-2-14.22



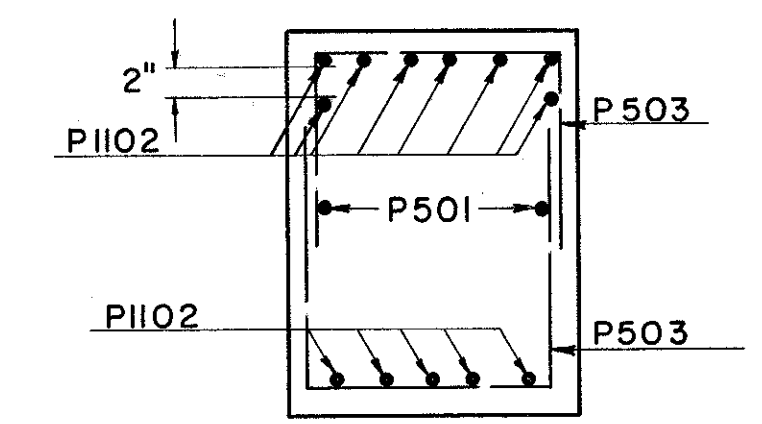
CAP PLAN



SECTION B-B

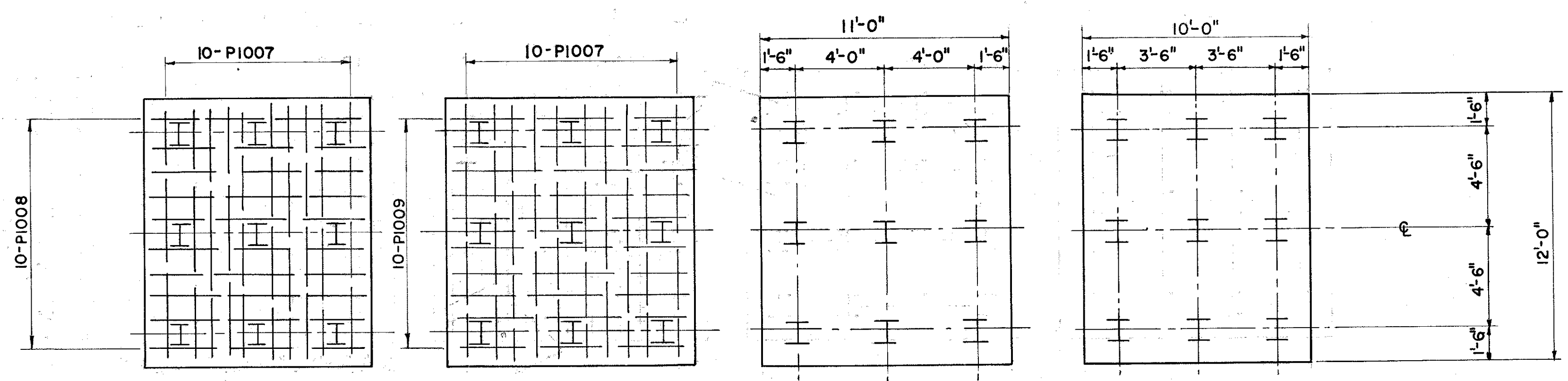


ELEVATION

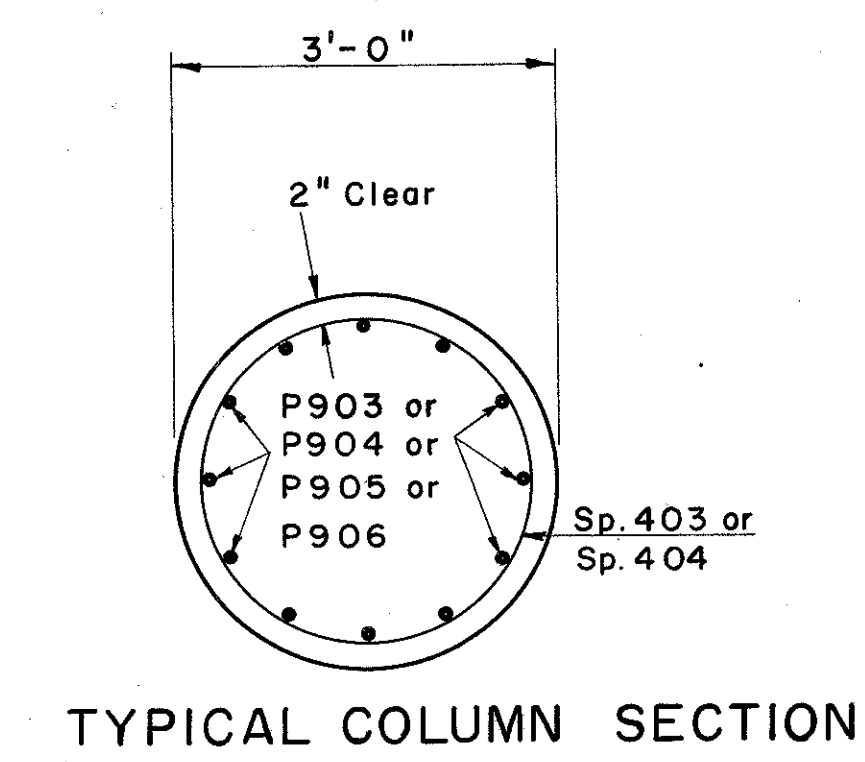


SECTION A-A

NOTES  
Reinforcing steel in the footing and pier-cap is identical for both piers.  
For additional notes and Footing Layout see drwg. Pier #1 Left Bridge.  
③ indicates Pier #3, Right Bridge.  
④ indicates Pier #4, Right Bridge.



FOOTING PLAN



TYPICAL COLUMN SECTION

PREPARED BY CAPITOL ENGINEERING ASSOCIATES, DILLSBURG, PA FOR					
STATE OF OHIO DEPARTMENT OF HIGHWAYS DIVISION OF DESIGN AND CONSTRUCTION BUREAU OF BRIDGES					
PIER #3 & #4 RIGHT BRIDGE BRIDGE NO. LAK-2-1471 L & R RELOC. S. R. 2 OVER B.&O. RR.-S. R. 283 LAKE COUNTY					
STA. 680 + 56.97					
DESIGNED	DRAWN	TRACED	CHECKED	REVIEWED	DATE
<i>[Signature]</i>	<i>[Signature]</i>	J.D.M. B.R.	K.C.M. D.R.T.		