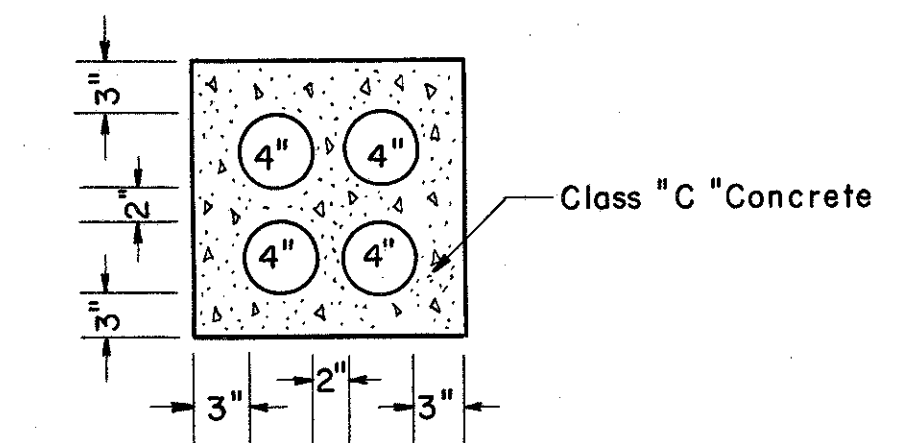
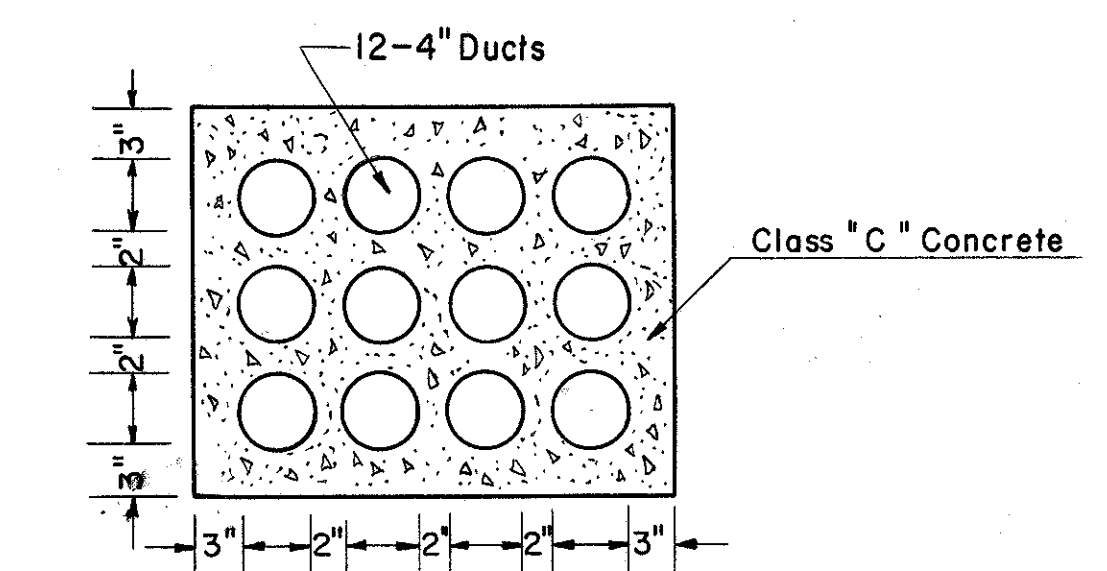


LAKE COUNTY
LAK-2-14.22

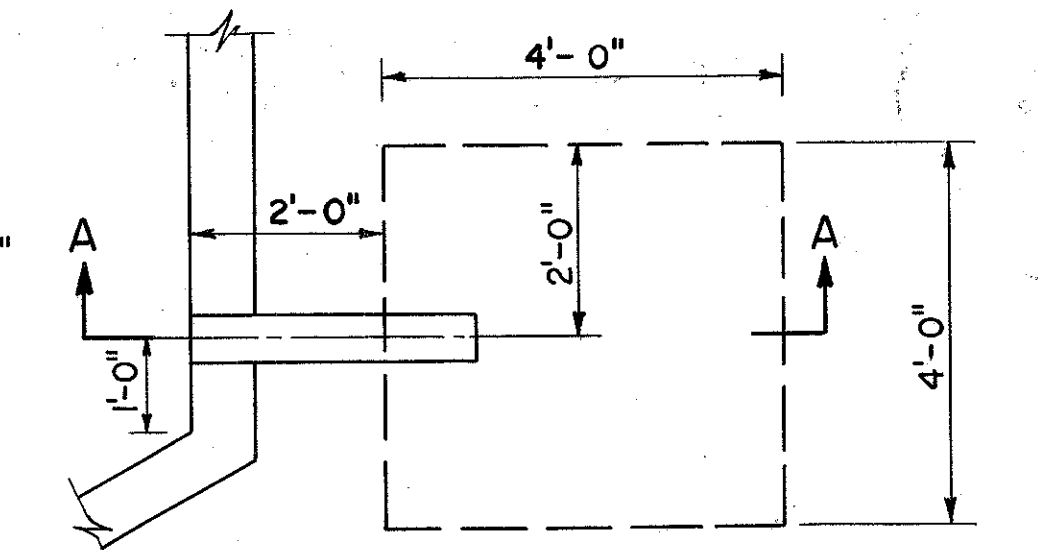


TYPICAL SECTION
4-WAY UNDERGROUND DUCT RUN
NO SCALE

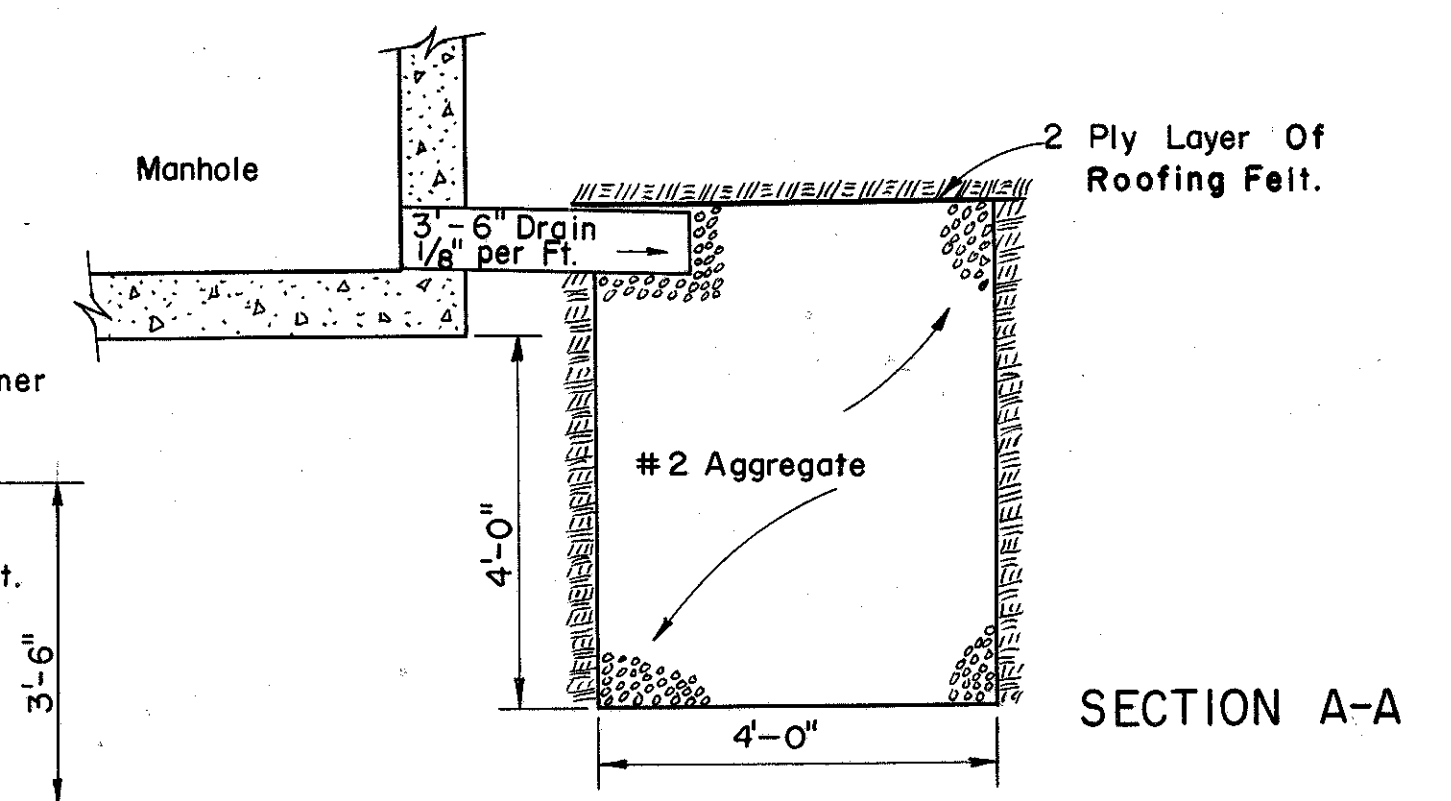


TYPICAL SECTION
12-WAY UNDERGROUND DUCT RUN
NO SCALE

NOTE:
6" Drain, Located As Shown Is To Be Constructed As Per Ohio Standard Specifications For I-1 Pipe, & Shall Be Similar to M-6.5 (b) or M-6.8 (b) Pipe. Payment for Drain & Dry Well to be included in unit price bid for Type "A" Manhole.

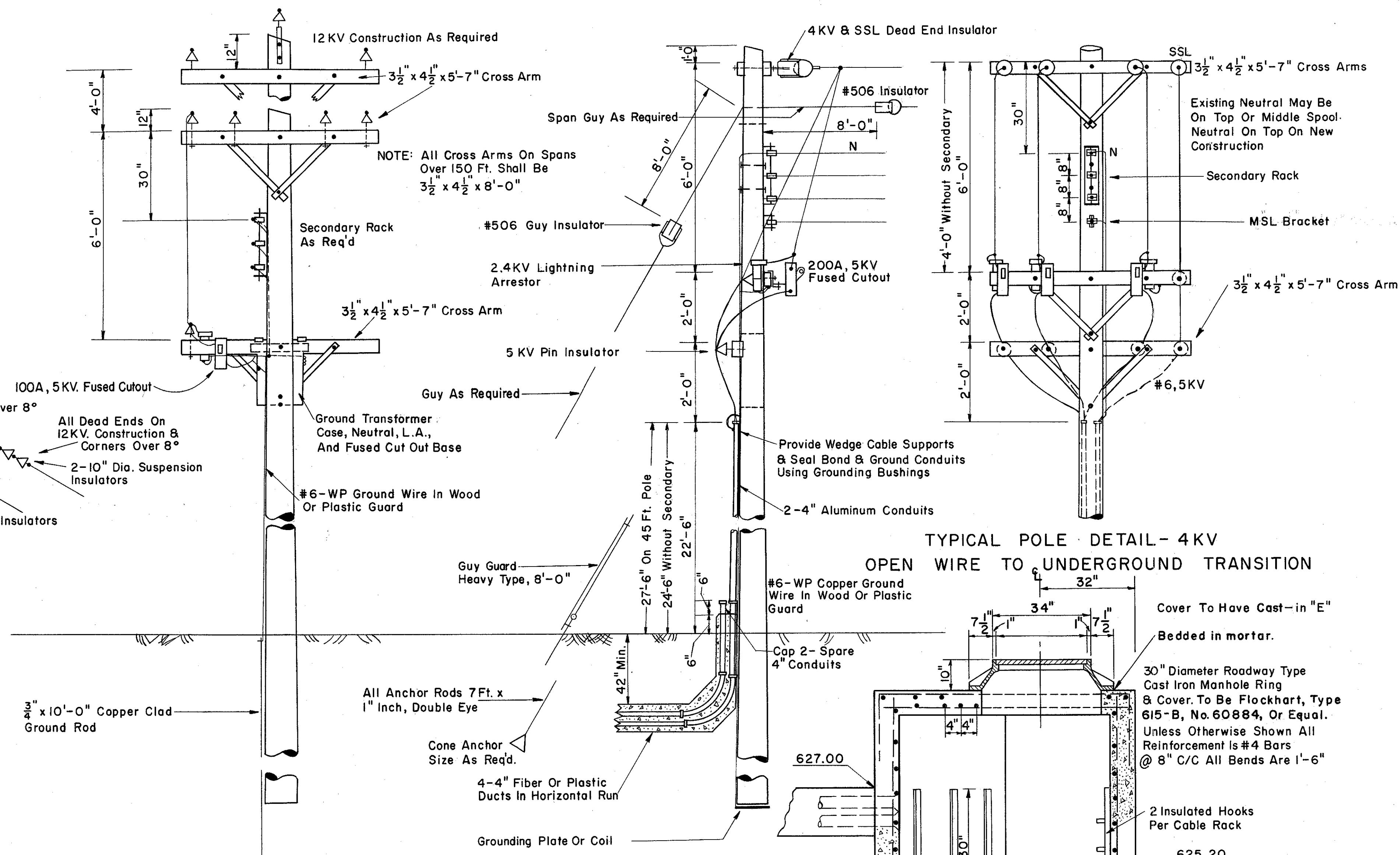


PLAN

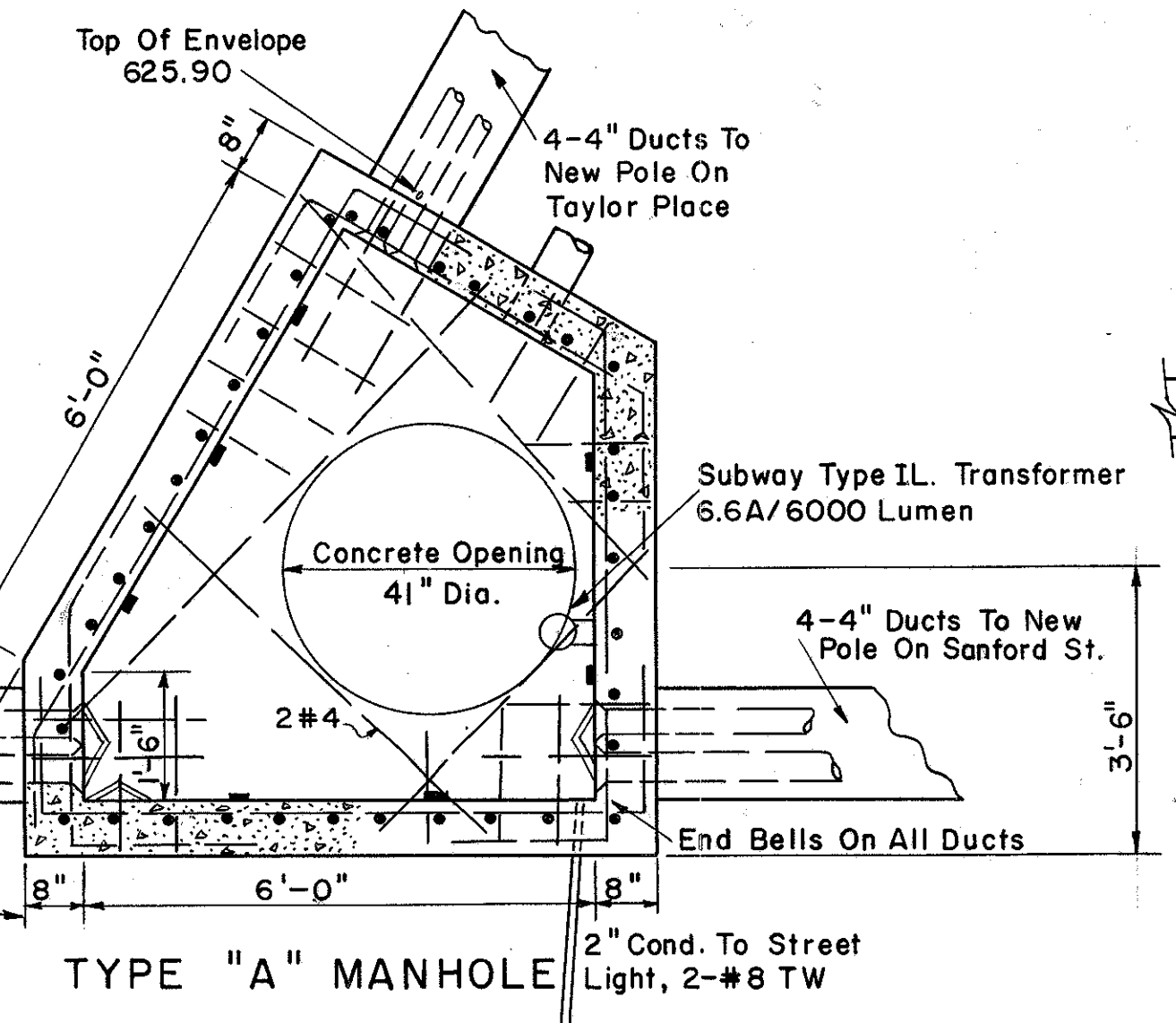
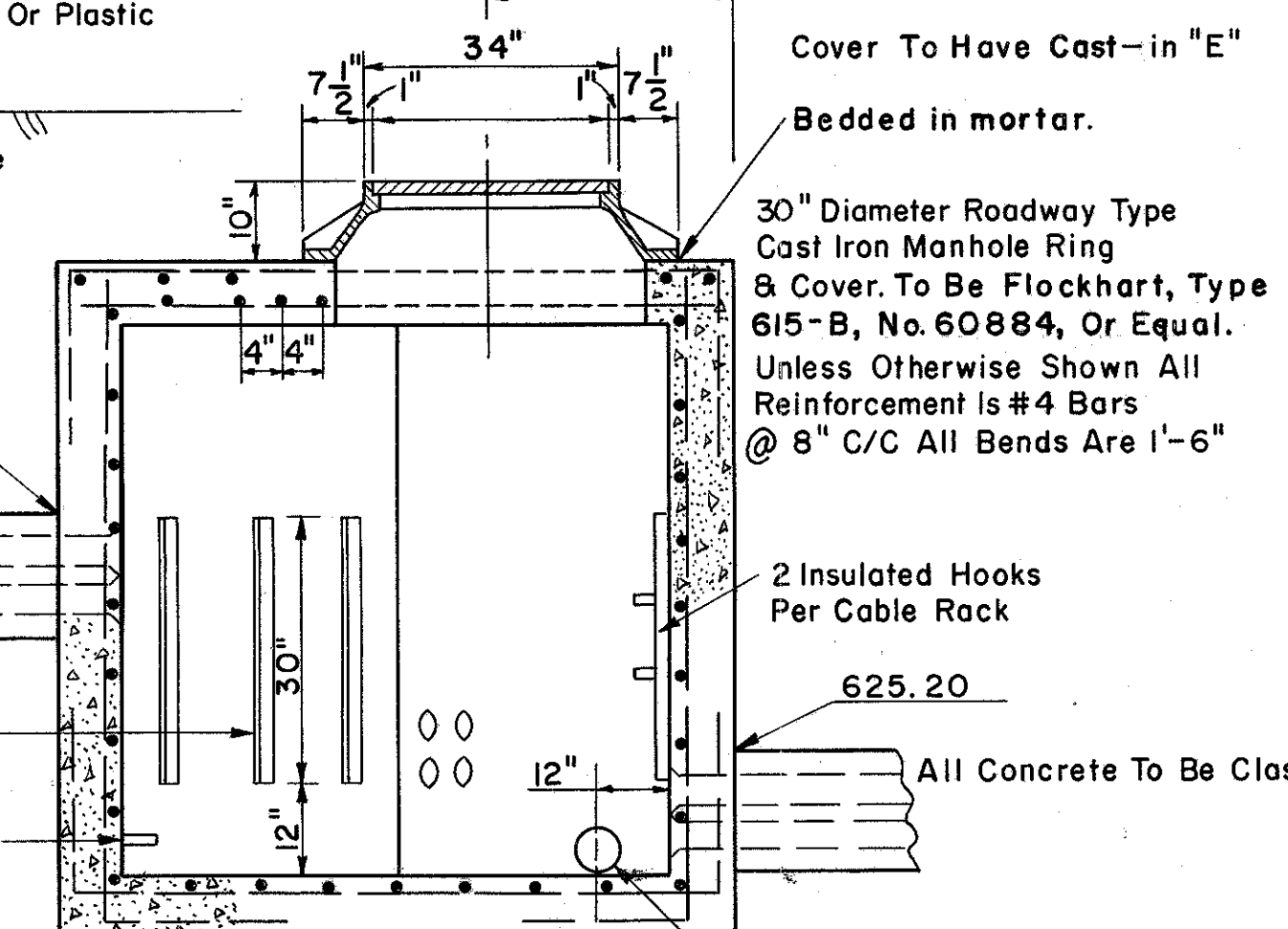


DETAIL OF DRY WELL DRAIN FOR MANHOLE (TYPE A)

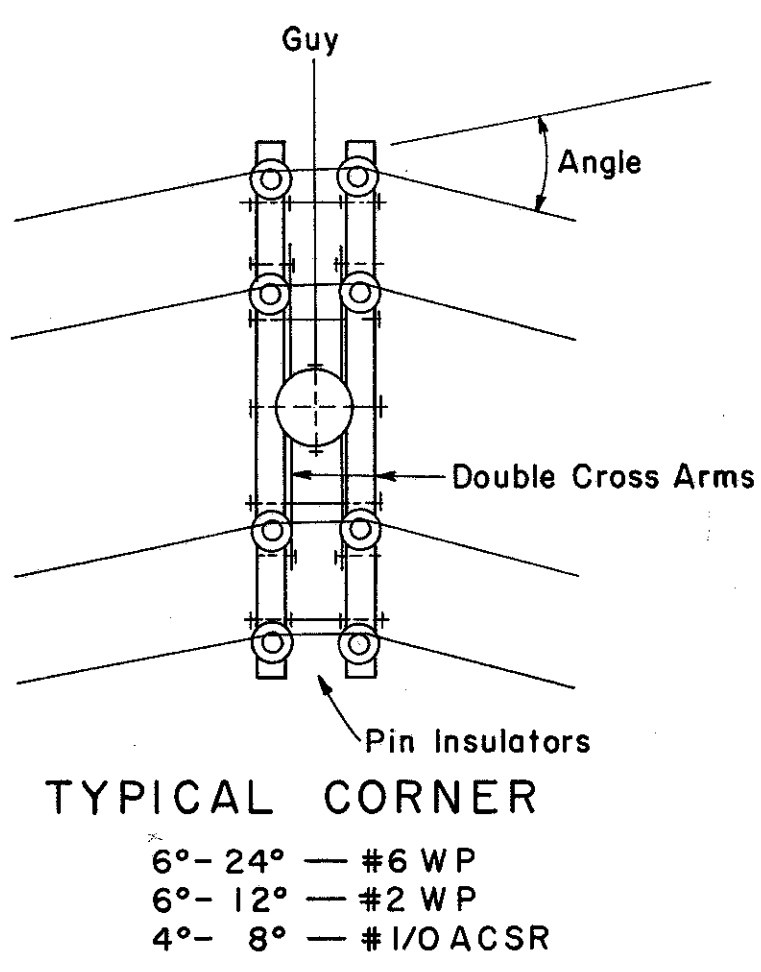
DETAILS
POWER ADJUSTMENTS



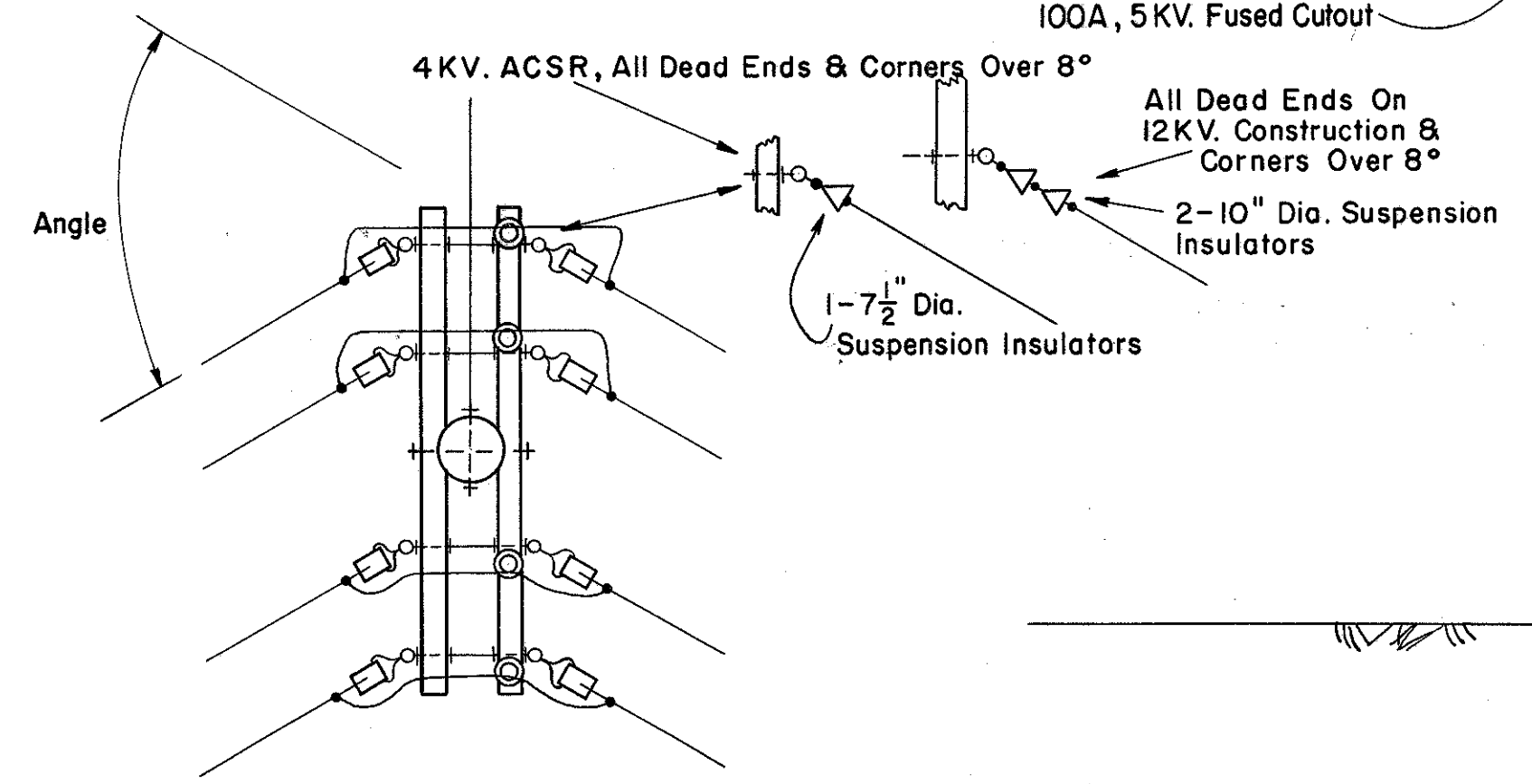
TYPICAL POLE DETAIL - 4KV
OPEN WIRE TO UNDERGROUND TRANSITION



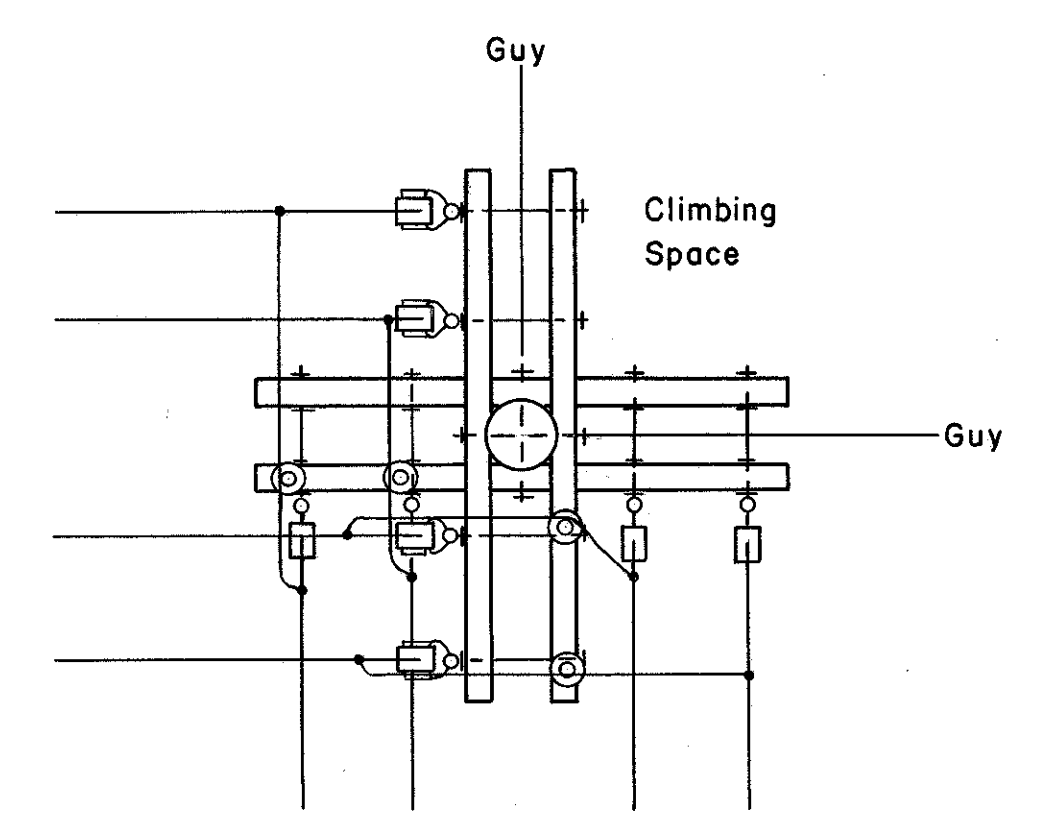
TYPE "A" MANHOLE
Station given on Plans is to the center of the Opening



TYPICAL CORNER
6° - 24° — #6 WP
6° - 12° — #2 WP
4° - 8° — #1/0 ACSR

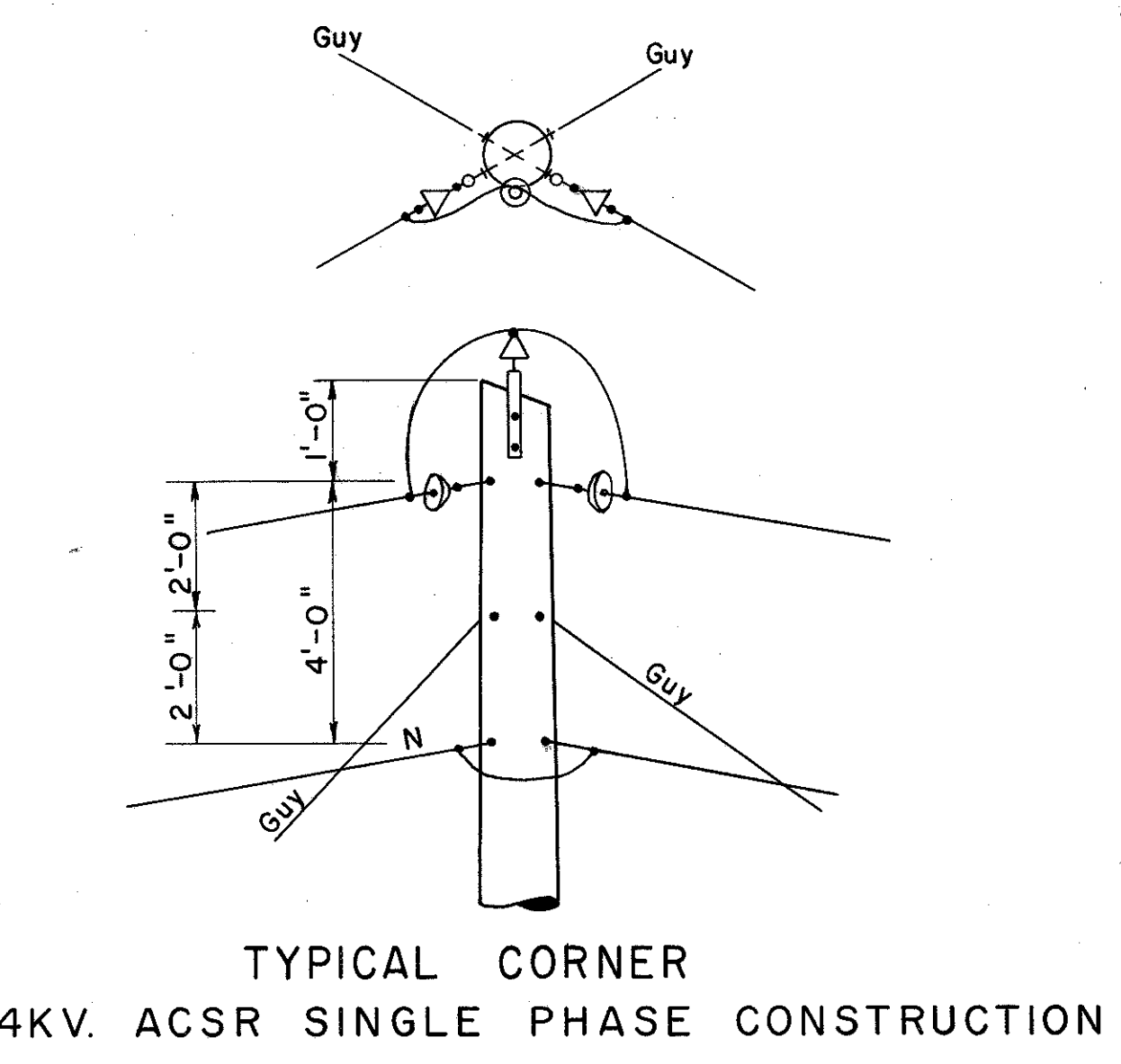


TYPICAL CORNER
25° - 60° — #6 WP
13° - 60° — #2 WP



TYPICAL CORNER
60° - 90° — #6 WP, #2 WP

TYPICAL TRANSFORMER INSTALLATION



TYPICAL CORNER
4KV. ACSR SINGLE PHASE CONSTRUCTION