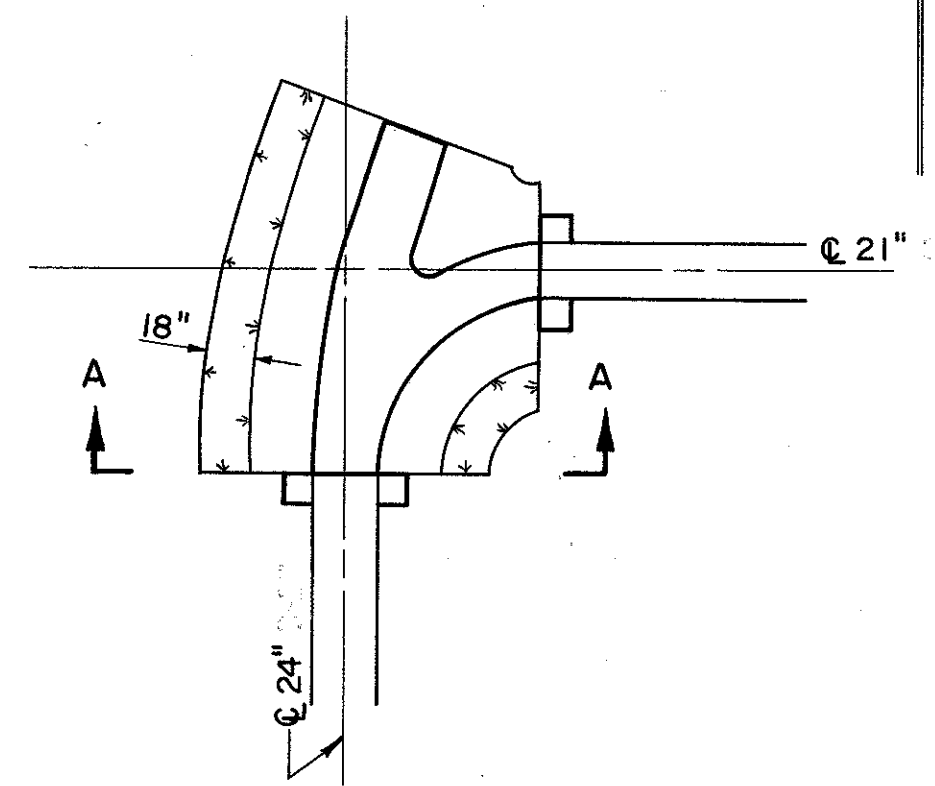


Sta. 0+18.90 Reloc. Button Ave. =  
Sta. 27+00.00 Reconstr. Newell St.

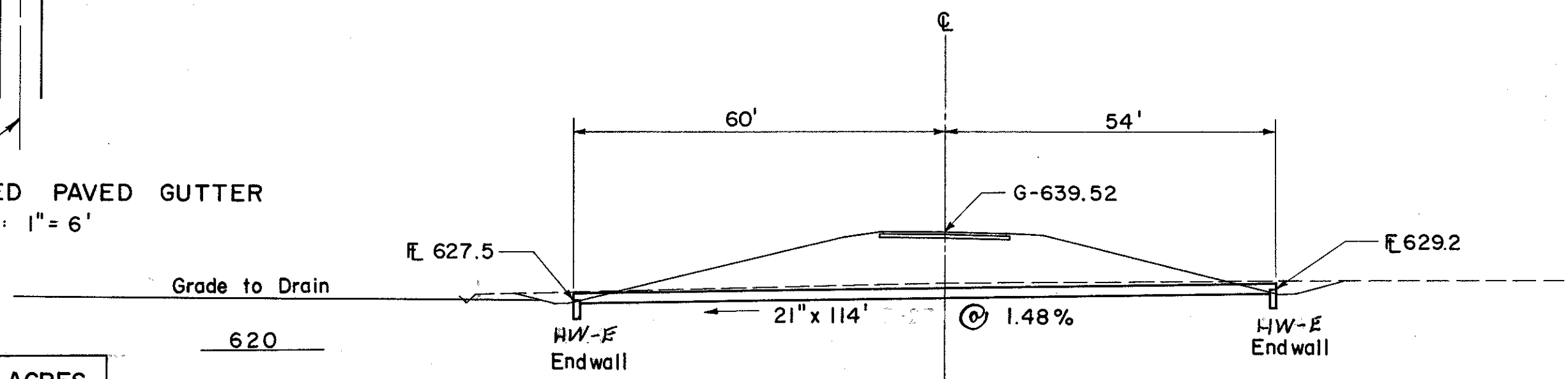
SCALE: 1" = 20'

FOR ADDITIONAL DETAILS  
SEE SHEETS NO. 139 & 261



DETAIL MODIFIED PAVED GUTTER  
SCALE: 1" = 6'

AREA = 7.4 ACRES  
Q<sub>10</sub> = 15 C.F.S.

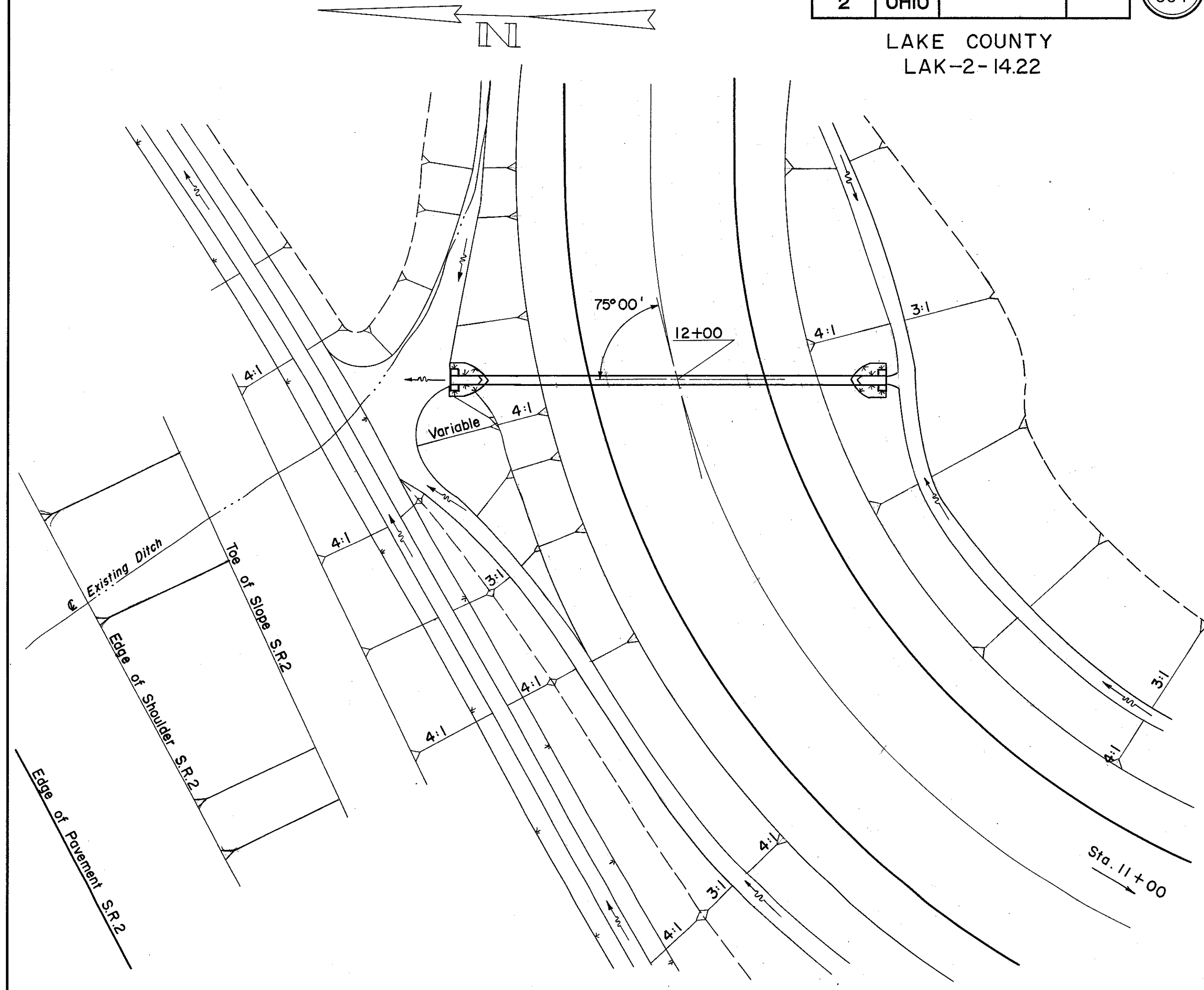


CULVERT DATA

TYPE: Pipe Culvert with HW-E Endwalls Lt. & Rt.  
SIZE: 21" x 114'  
WORK REQUIRED: Build 21" Pipe Culvert with HW-E Endwalls Rt. & Lt., Place 18" Sodding behind Endwalls.

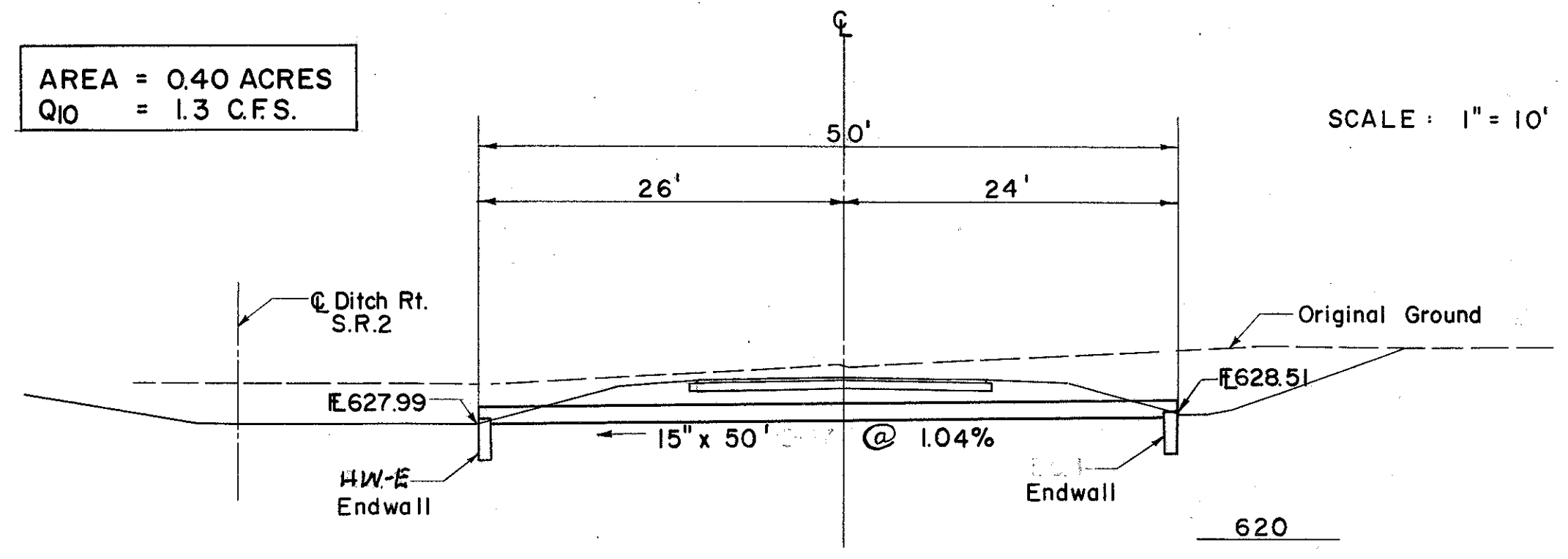
ESTIMATED QUANTITIES

I-14 Type I Modified Paved Gutter 16 L.F.  
L-10 Sodding 7 S.Y.  
I-2 Masonry (Headwall) 0.72 C.Y.  
I-1 21" Pipe Class B 114 L.F.



AREA = 0.40 ACRES  
Q<sub>10</sub> = 1.3 C.F.S.

SCALE: 1" = 10'



CULVERT DATA

TYPE: Pipe Culvert with HW-E Endwalls  
SIZE: 15" x 50'  
WORK REQUIRED: Build 15" Pipe Culvert with HW-E Endwalls Lt. & Rt. Place 18" Sodding behind Endwalls.

ESTIMATED QUANTITIES

L-10 Sodding 2 S.Y.  
I-2 Masonry (Headwall) 0.52 C.Y.  
I-1 15" Pipe Class C-1 50 L.F.

FOR ADDITIONAL DETAILS  
SEE SHEET NO. 234

Traced 5-4-63 L. S. Luster