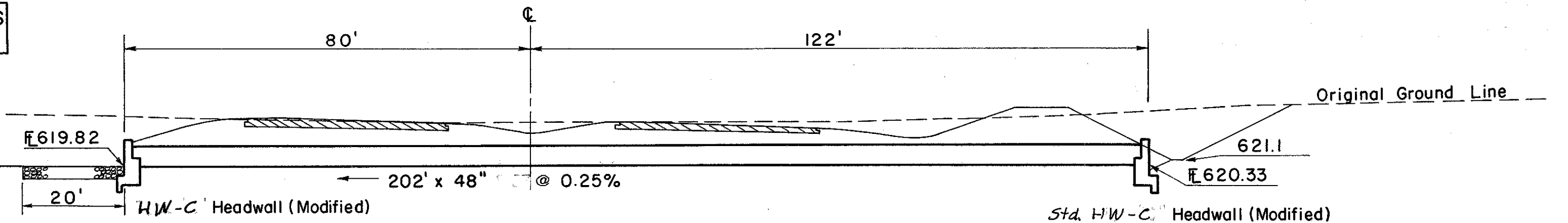
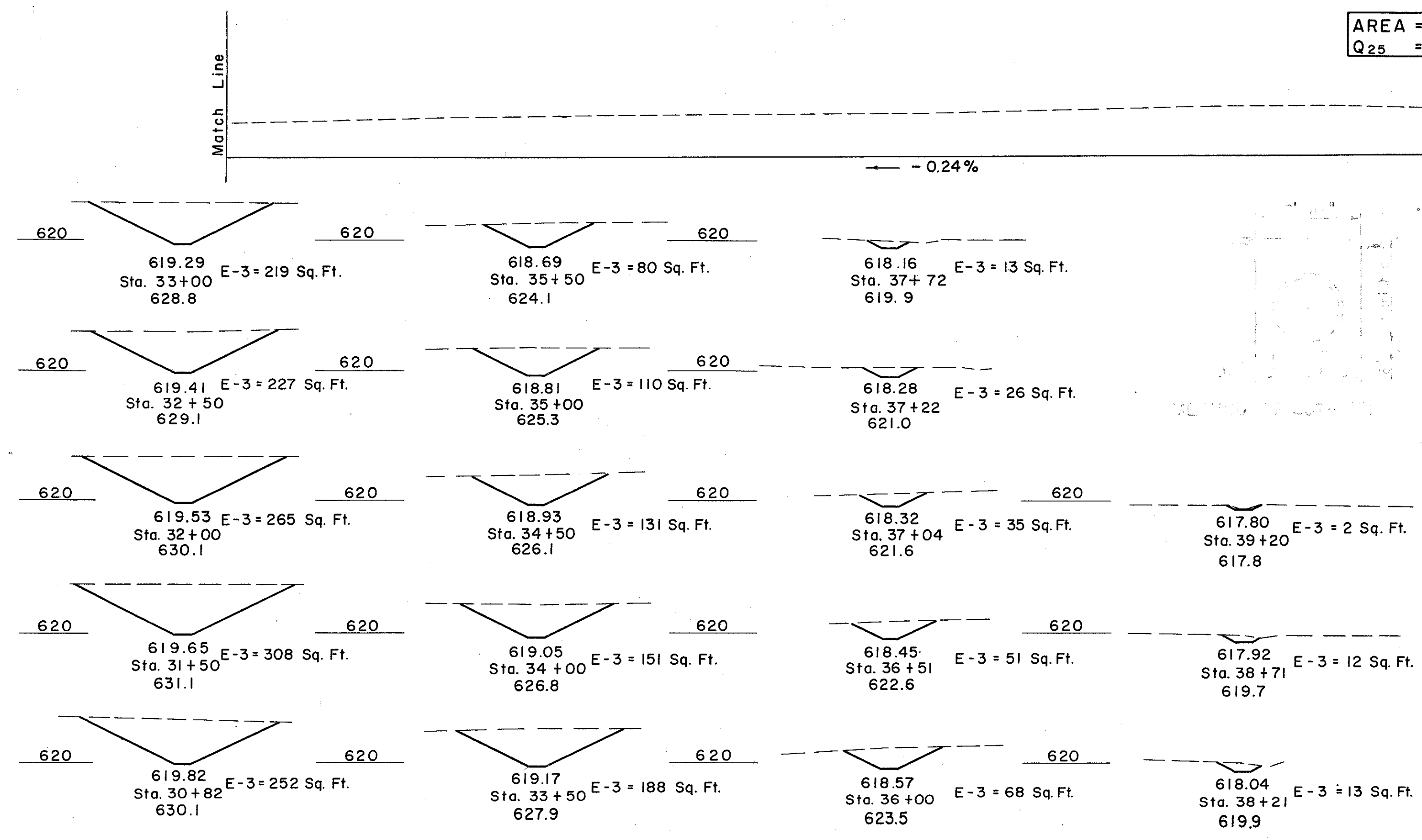


CURVE DATA
 P.I. Sta. 36+94
 $\Delta = 44^\circ 32' 45''$ Lt.
 $R = 30'$
 $L = 233.24'$
 $T = 122.87'$
 P.C. Sta. 35+71.13
 P.T. Sta. 38+04.37

FOR ADDITIONAL DETAILS
SEE SHEET NO. 37

SCALE 1" = 20'

AREA = 70 ACRES
 $Q_{25} = 114$ C.F.S.

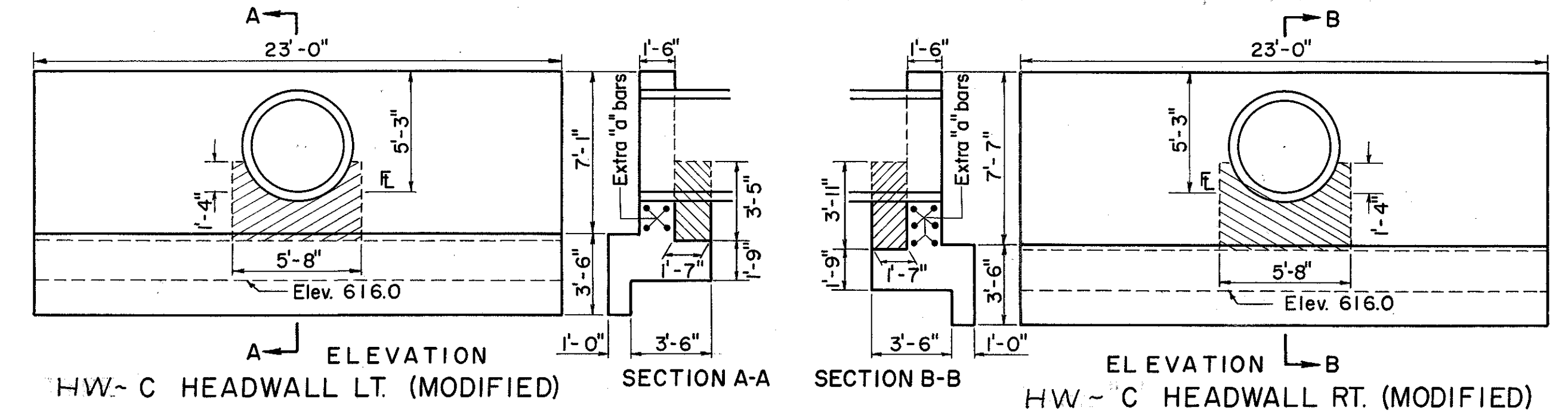


CULVERT DATA

TYPE: Pipe Culvert, 27' Sec. M-6.6(b) with HW-C Headwalls (Modified)
 SIZE: 48" x 202"
 WORK REQUIRED: Build 48" Culvert with HW-C Headwalls (Modified) Rt. & Lt. Place 18" of Sodding behind Headwalls & Excavate Channel.

ESTIMATED QUANTITIES

E-3 Channel Excavation	3907 C.Y.
I-2 Masonry (Headwall)	356 C.Y.
I-1 48" Pipe Class A-1 Sec. M-6.6(b)	202 L.F.
L-10 Sodding	10 S.Y.



REINFORCING STEEL LIST & ESTIMATED QUANTITIES

Symbol	No.	Length	Weight-Lbs.	Concrete - Cu. Yds.
a	15	22'-8"	355	
c	12	8'-5"	106	
d	8	9'-2"	77	
f	8	4'-1"	34	
$h \frac{3}{4}$ Round	14	11'-8"	246	
			818	17.4

REINFORCING STEEL LIST & ESTIMATED QUANTITIES

Symbol	No.	Length	Weight-Lbs.	Concrete - Cu. Yds.
a	17	22'-8"	402	
c	12	8'-5"	106	
d	8	9'-7"	80	
f	8	4'-1"	34	
$h \frac{3}{4}$ Round	14	12'-3"	258	
			880	18.2

FOR FURTHER DETAILS
SEE STD. CONSTR. DWG.
HW-C.