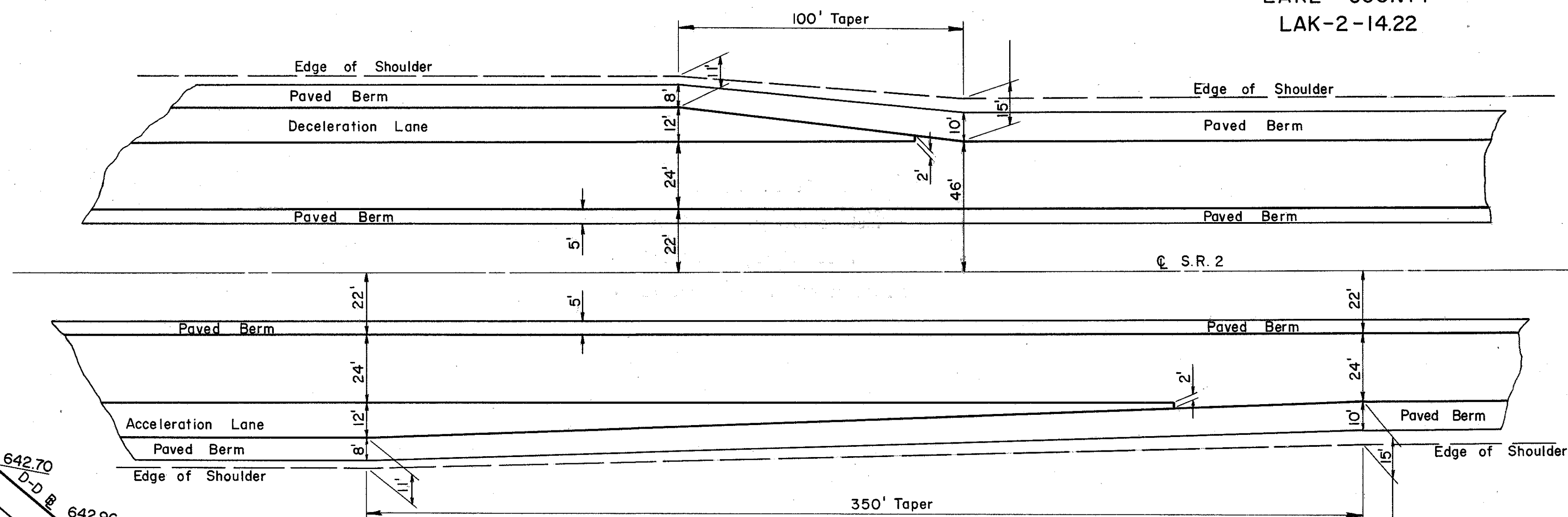


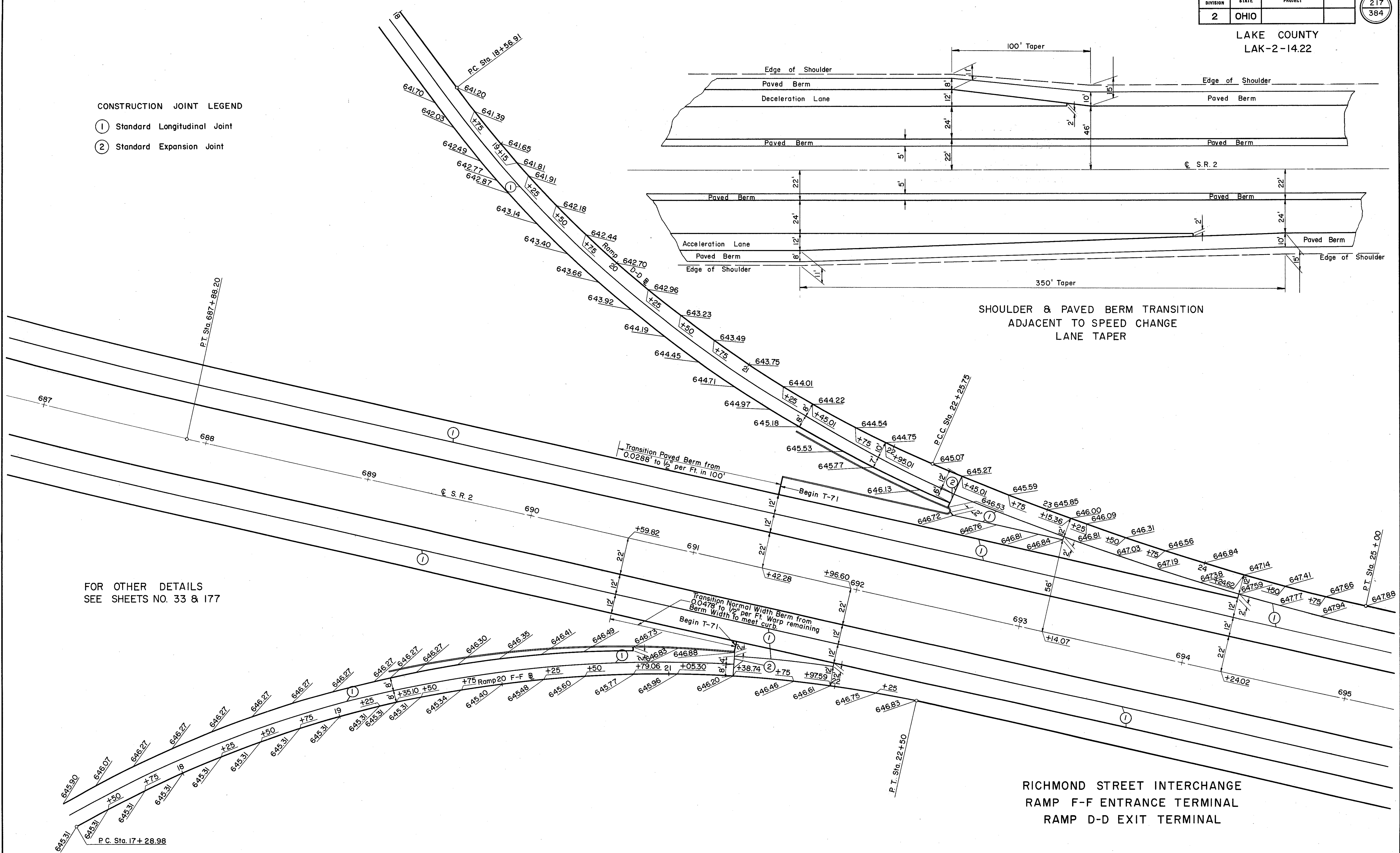
LAKE COUNTY
LAK-2-14.22

CONSTRUCTION JOINT LEGEND

- ① Standard Longitudinal Joint
- ② Standard Expansion Joint



SHOULDER & PAVED BERM TRANSITION
ADJACENT TO SPEED CHANGE
LANE TAPER



FOR OTHER DETAILS
SEE SHEETS NO. 33 & 177

RICHMOND STREET INTERCHANGE
RAMP F-F ENTRANCE TERMINAL
RAMP D-D EXIT TERMINAL