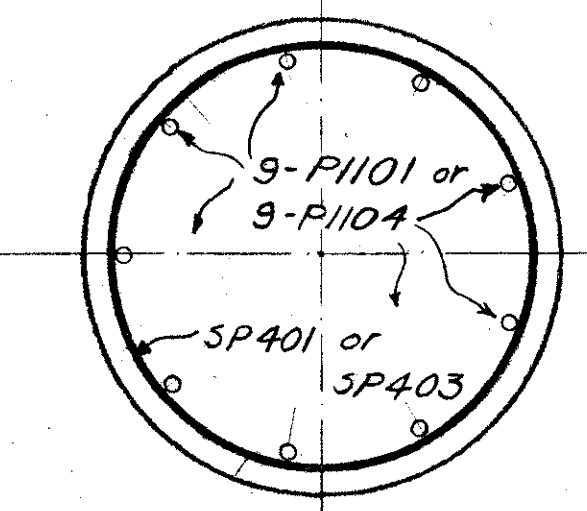
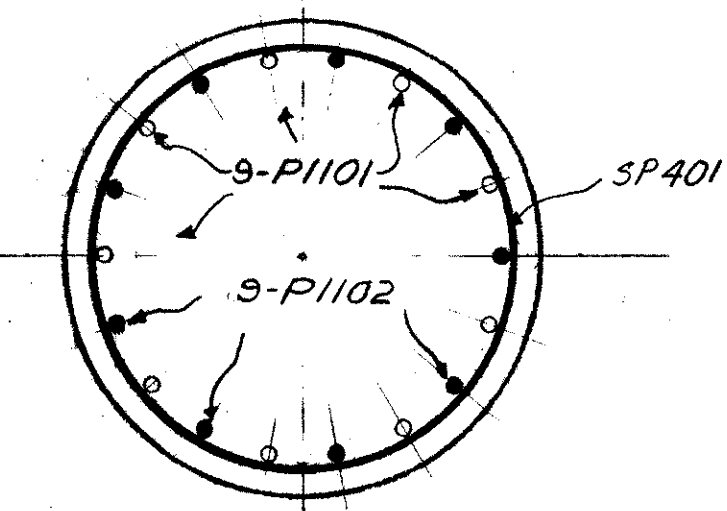
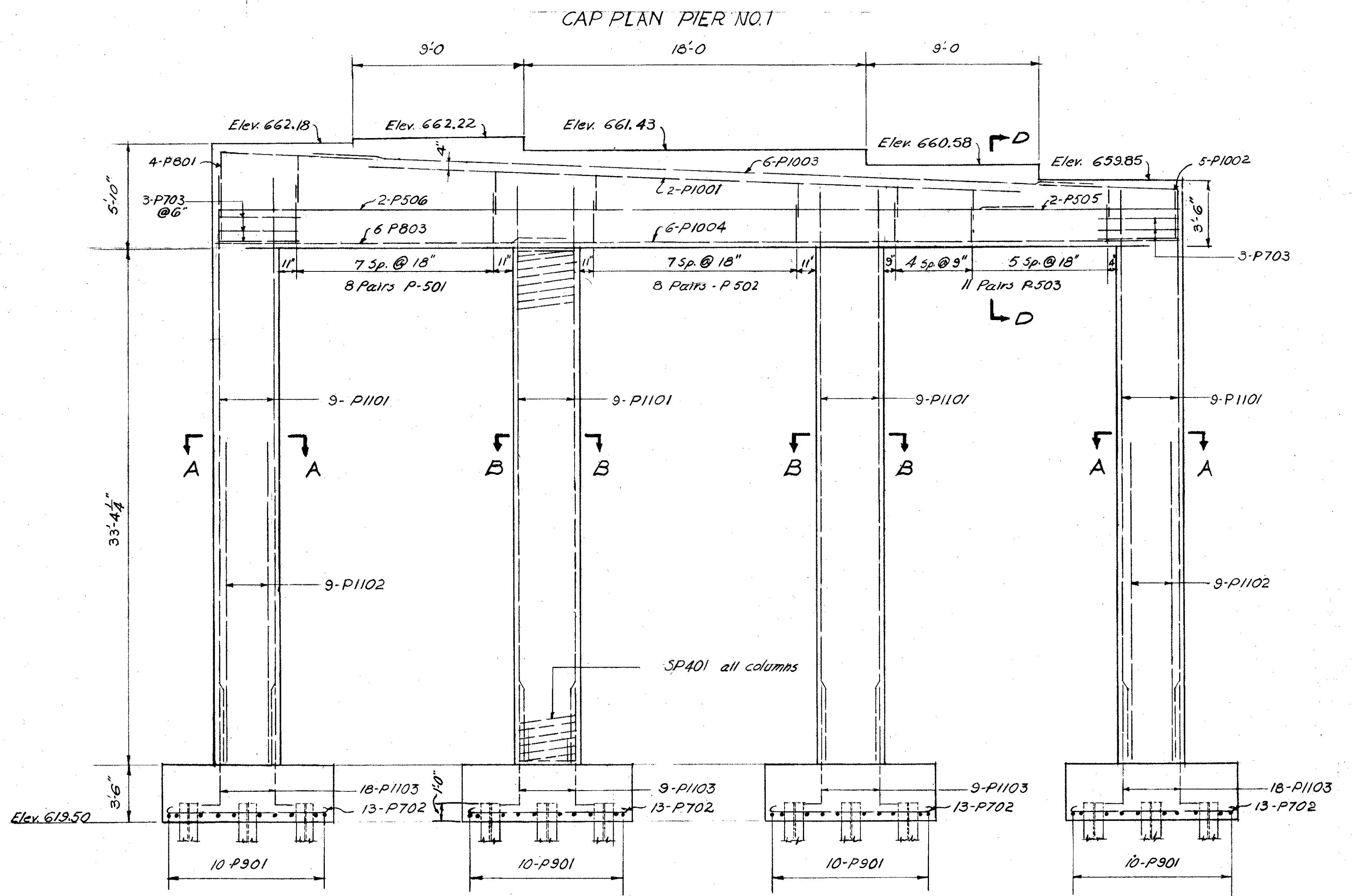
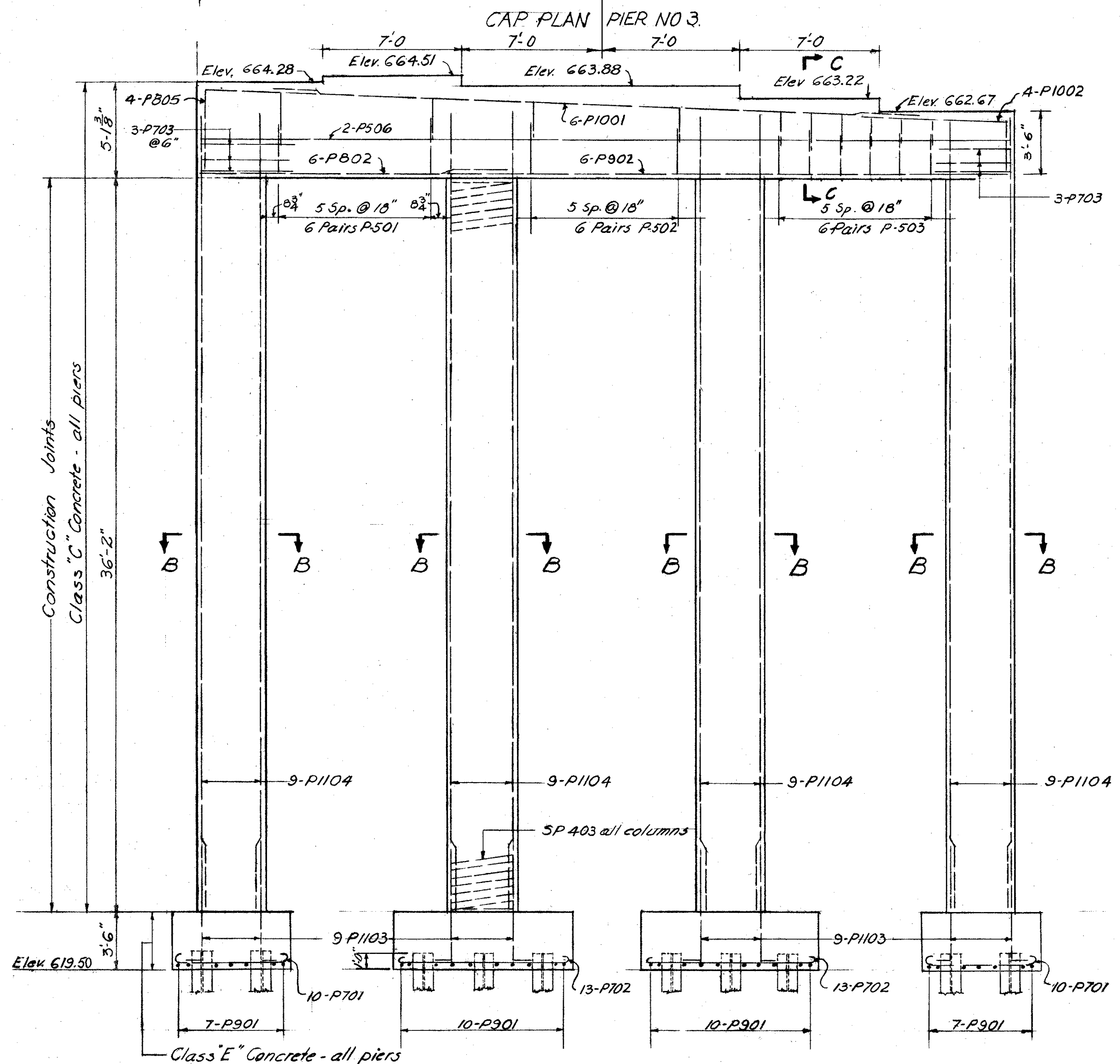
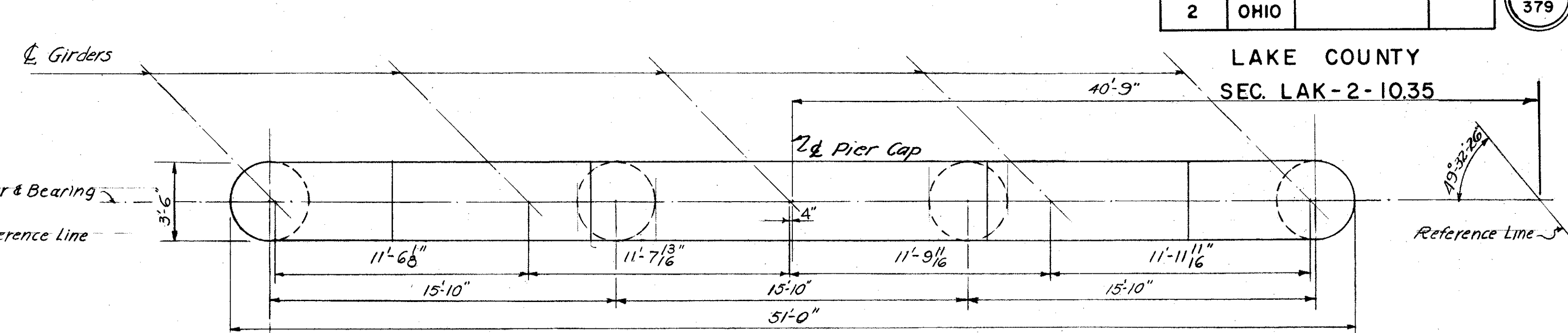
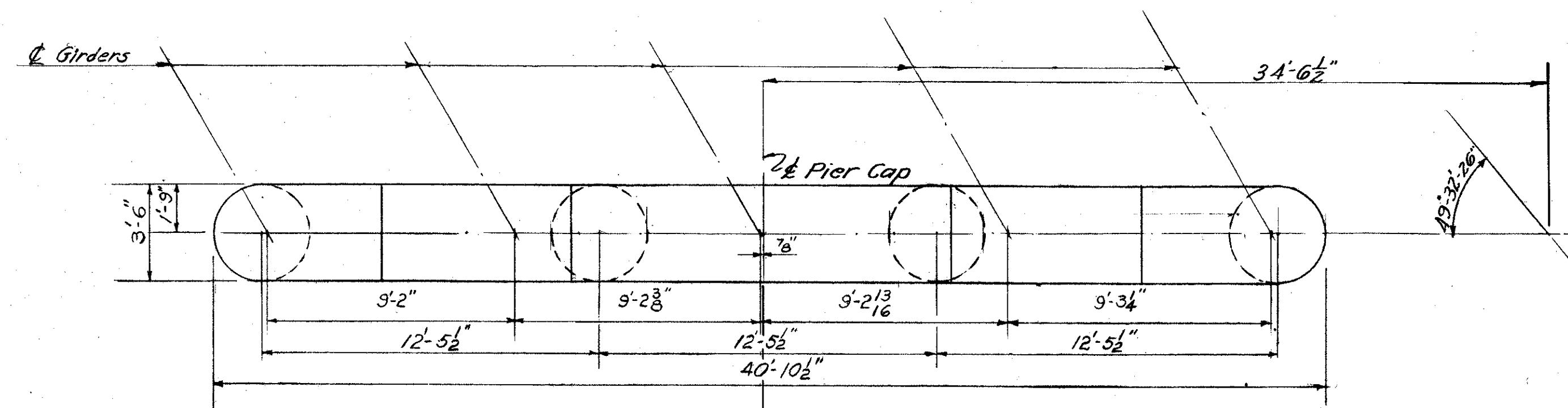


LAKE COUNTY
SEC. LAK-2-1035



ELEVATION PIER NO. 3
LOOKING AHEAD

ELEVATION PIER NO. 1
LOOKING AHEAD

SECTION A-A

SECTION B-B

NOTE: For details and sections not shown see Pier Details Sheet

SEC. L-33						
PREPARED BY CAPITOL ENGINEERING ASSOCIATES, DILLSBURG, PA. FOR						
STATE OF OHIO DEPARTMENT OF HIGHWAYS DIVISION OF DESIGN AND CONSTRUCTION BUREAU OF BRIDGES						
PIERS 1 & 3 BRIDGE NO. LAK-2-1351 RELOC. SR. 2 UNDER S.R. 44 - RAMP E LAKE COUNTY STA. 613 + 25.24						
DESIGNED	DRAWN	TRACED	CHECKED	REVISED DATE	REVISED	

JUL 1 1955