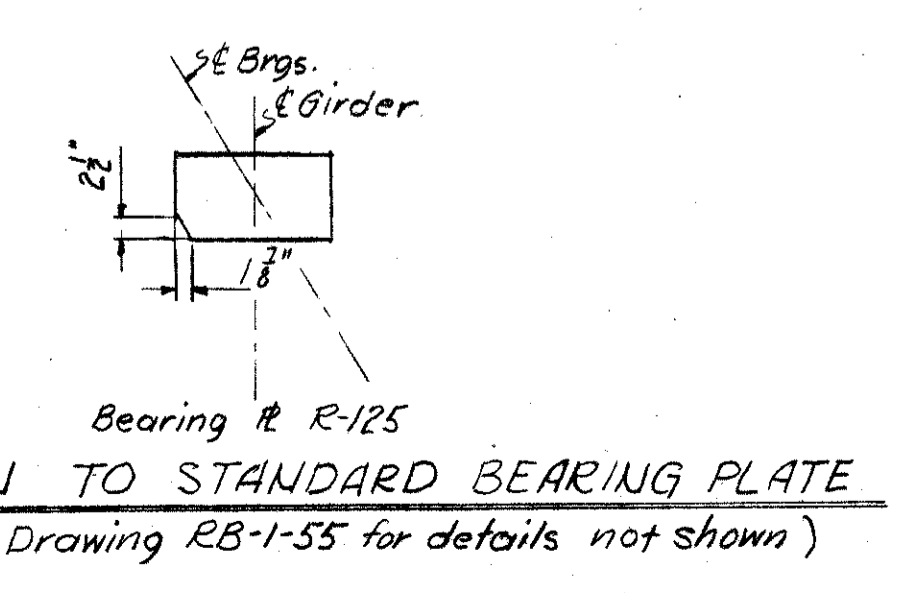
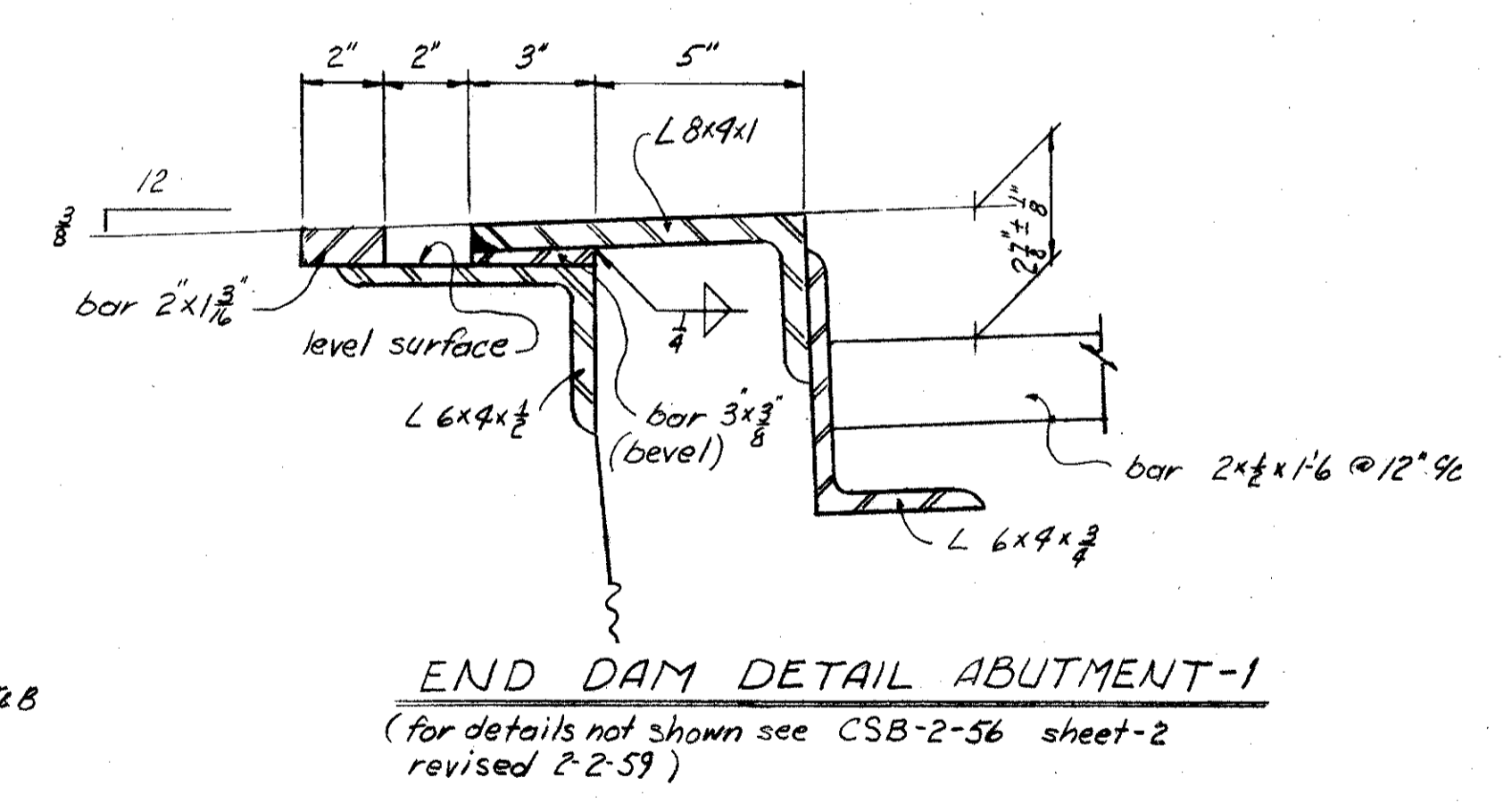
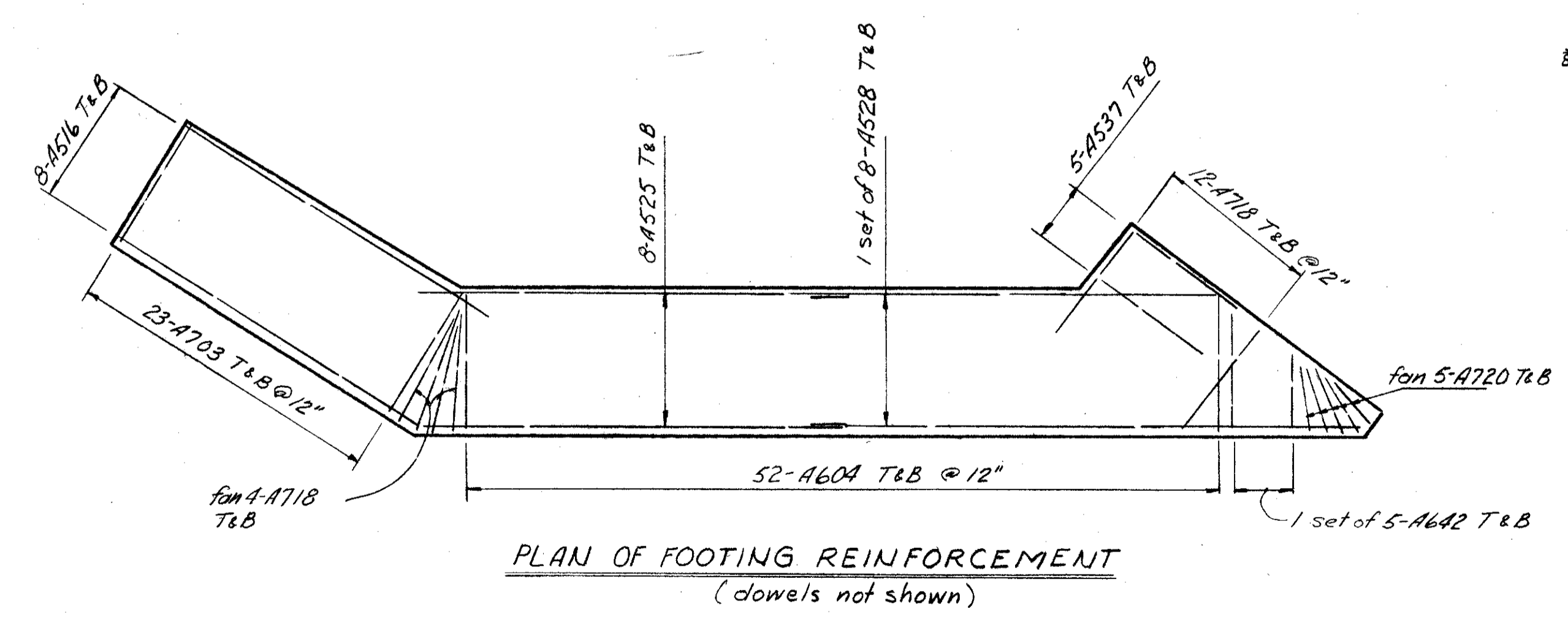
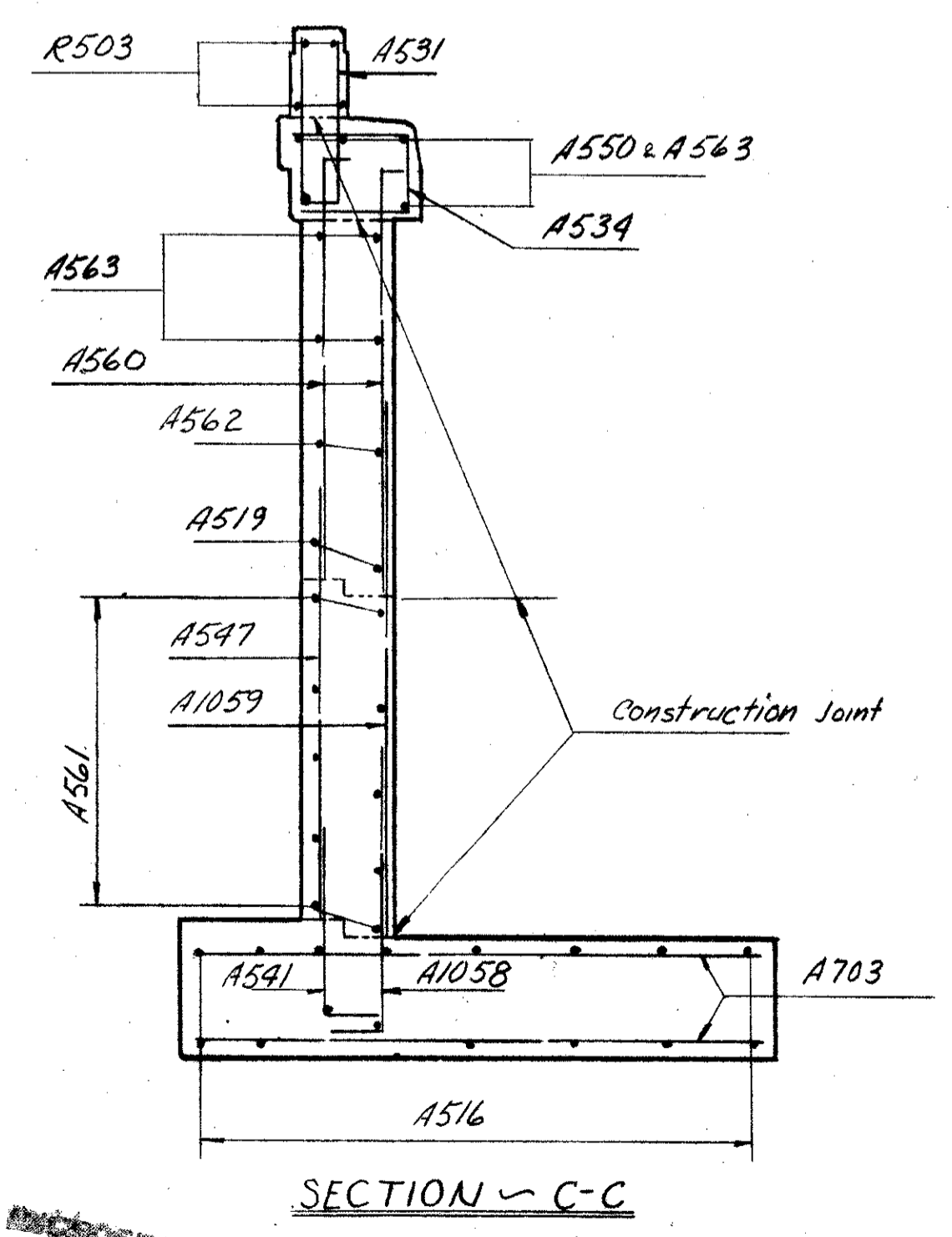
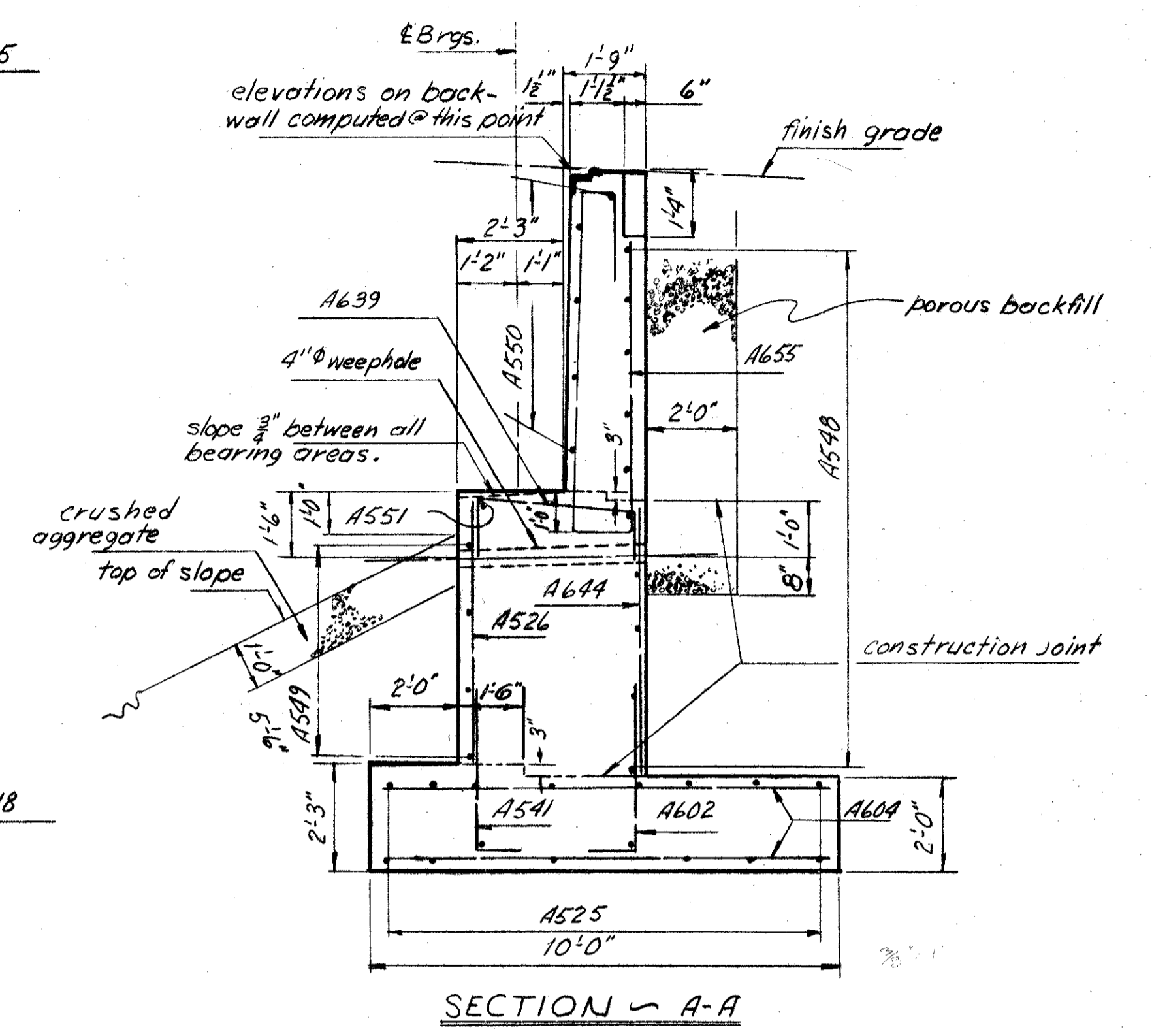
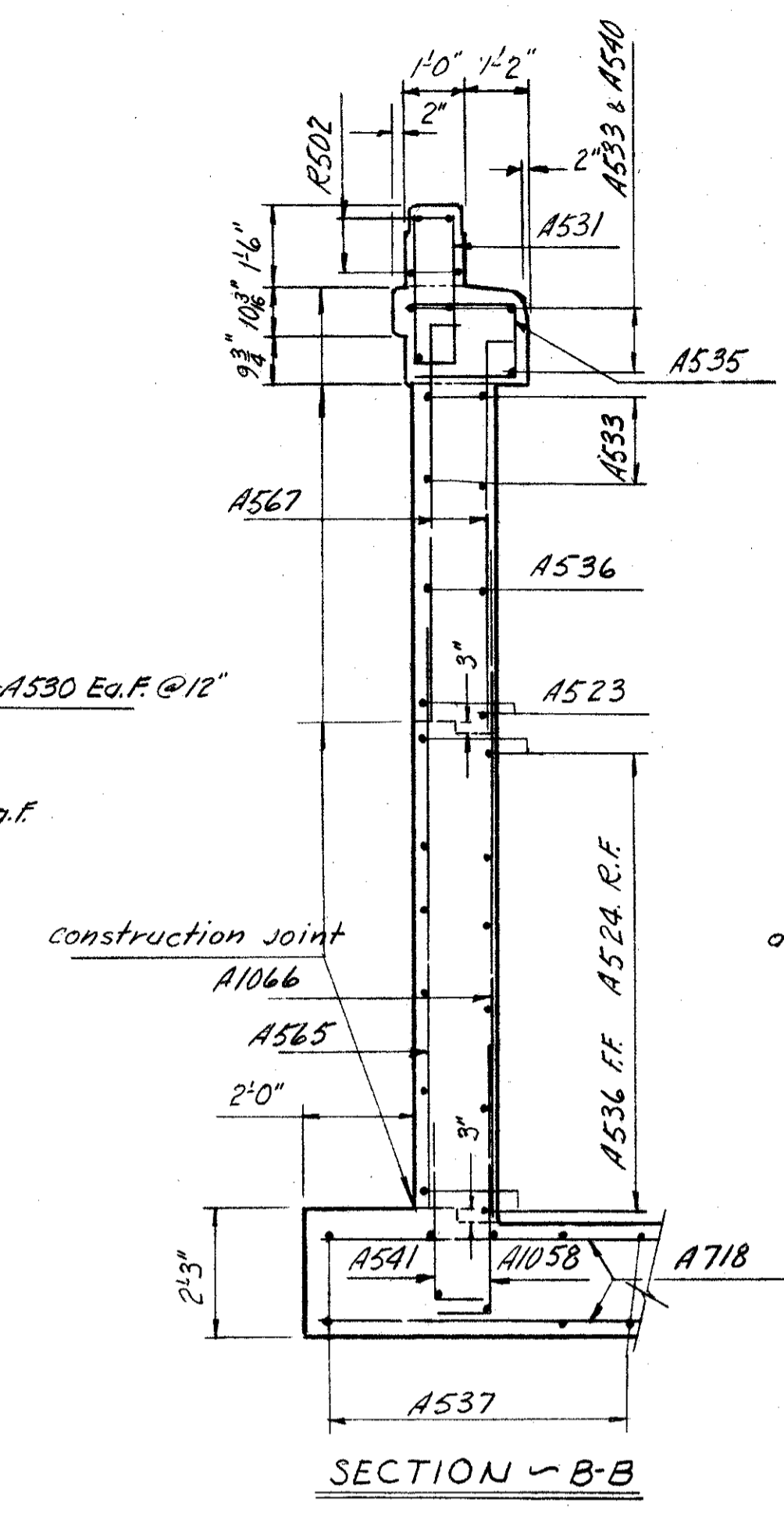
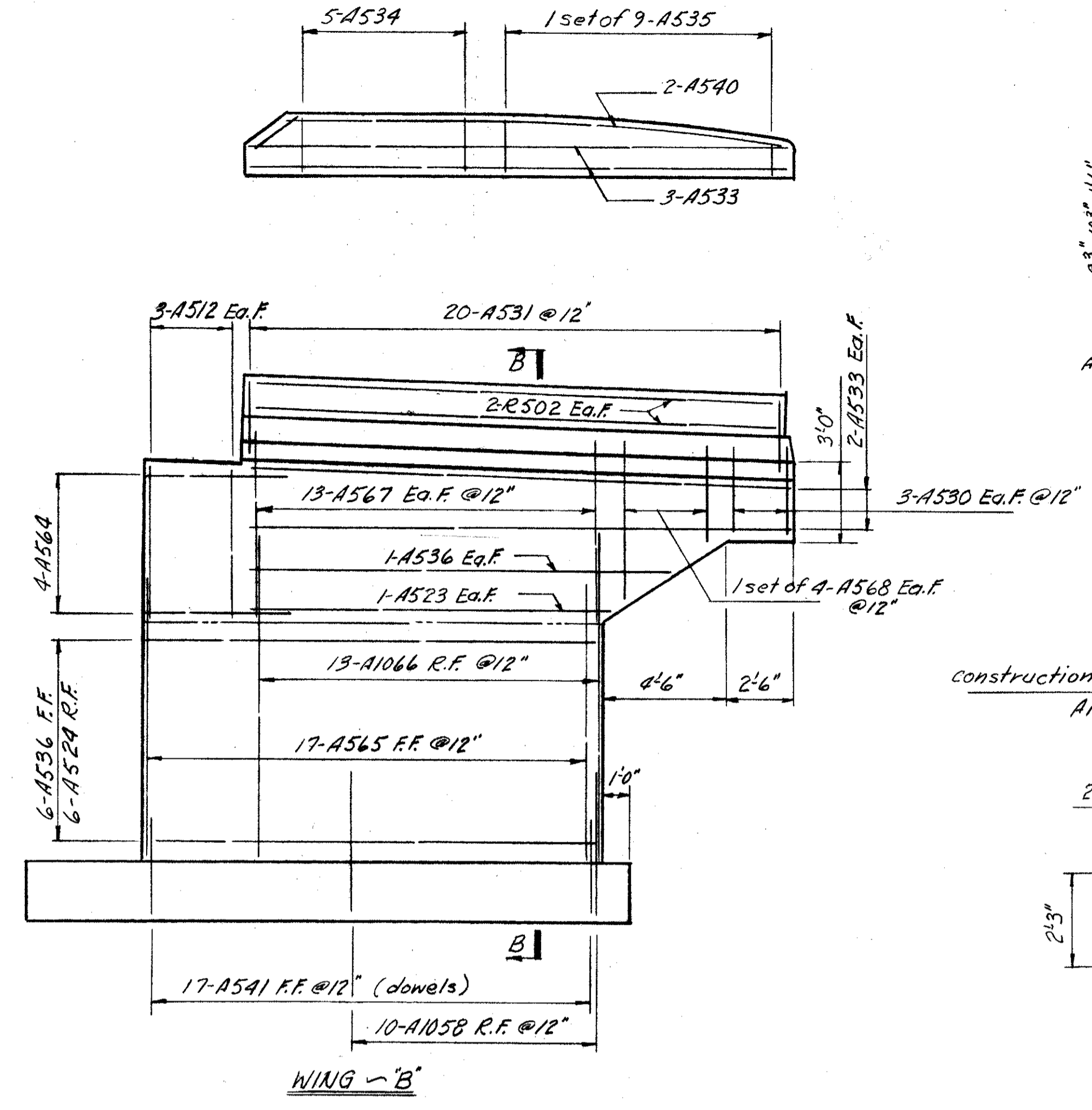
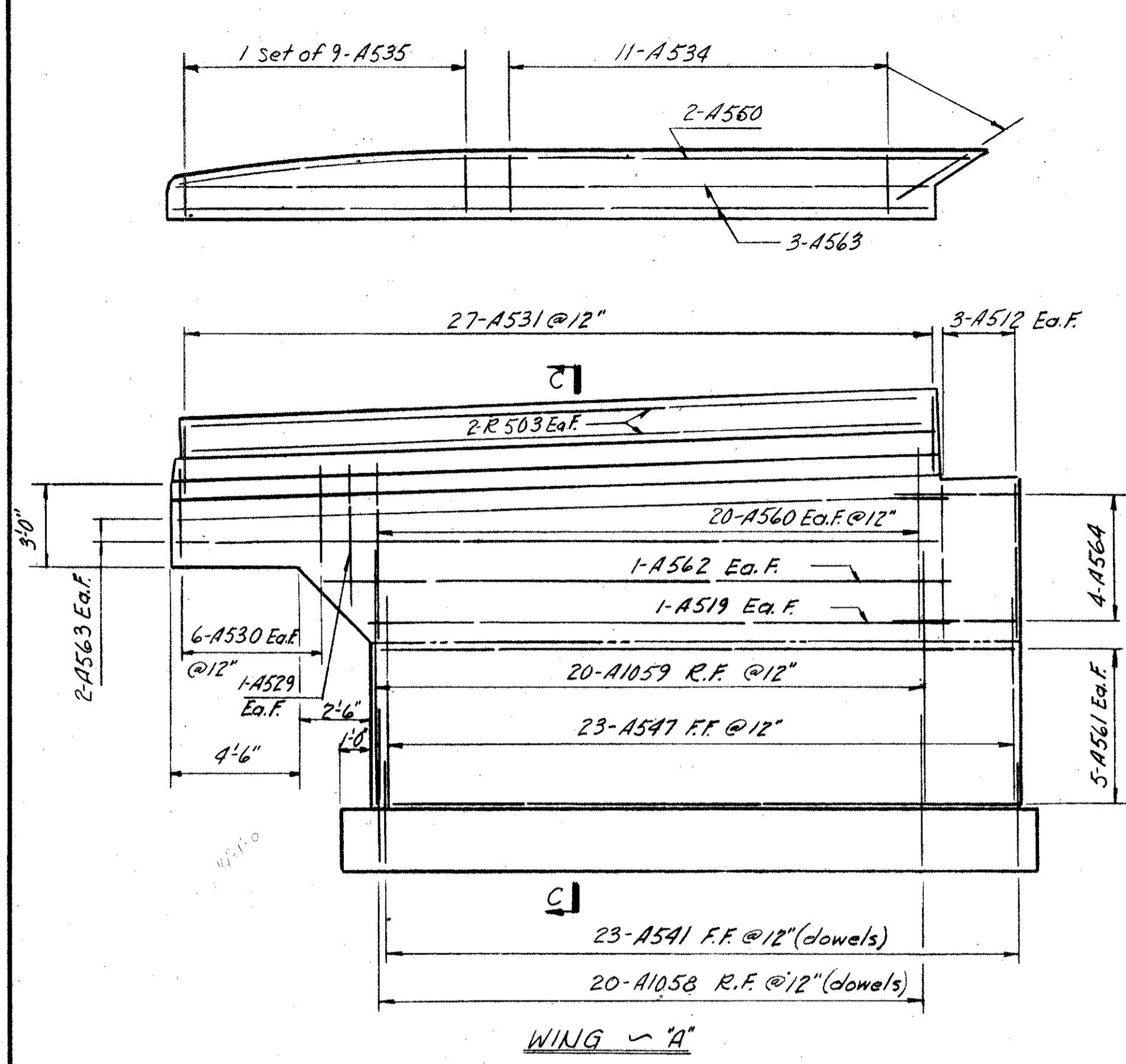


LAKE COUNTY
LAK-2-10.35



SEC. L-33

PREPARED BY CAPITOL ENGINEERING ASSOCIATES, DILLSBURG, PA. FOR						
STATE OF OHIO DEPARTMENT OF HIGHWAYS DIVISION OF DESIGN AND CONSTRUCTION BUREAU OF BRIDGES						
ABUTMENT #1 DETAILS BRIDGE NO. LAK-2-1351 RELOC. SR.2 UNDER SR.44 RAMP E LAKE COUNTY						
						STA. 613 + 25.24
DESIGNED	DRAWN	TRACED	CHECKED	REVISED	DATE	REVISED
DRT	DRT					

MICROFILMED
JUL 1 1965