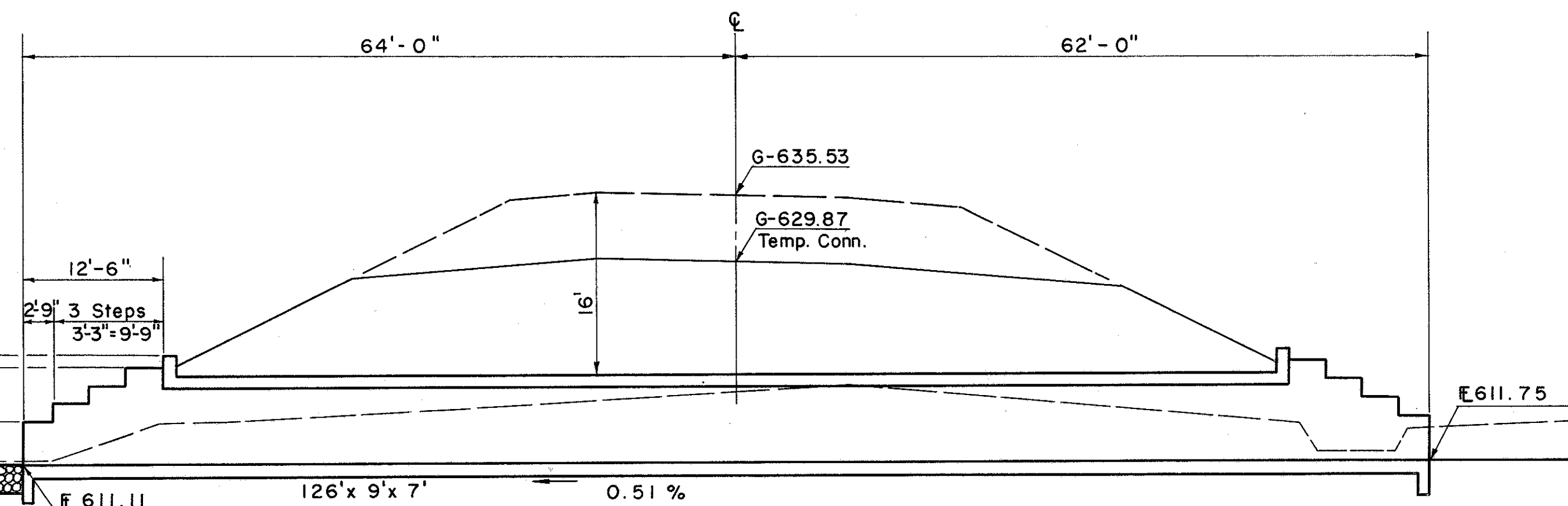
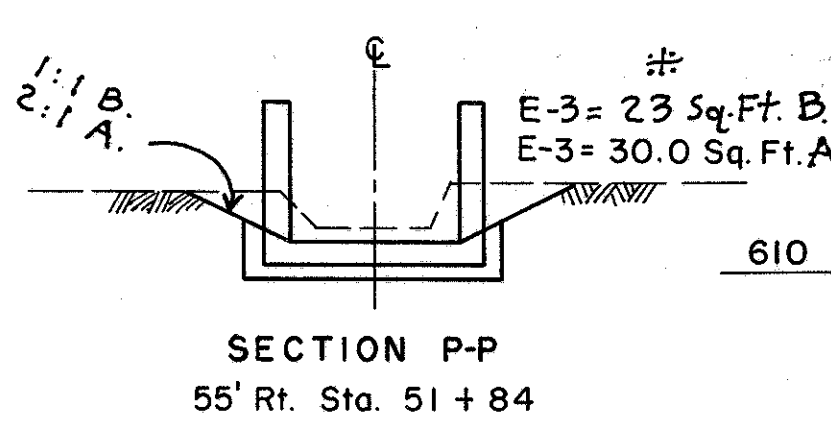
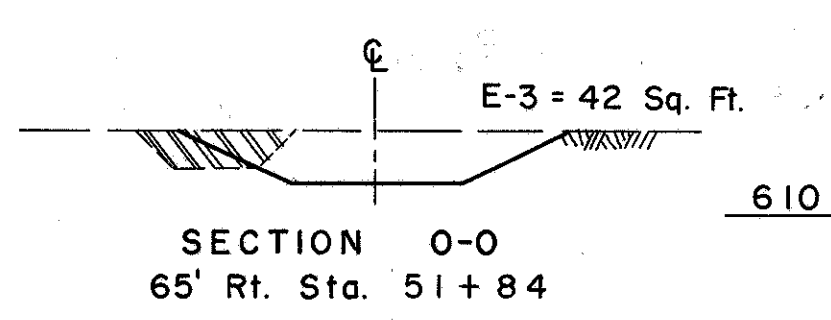
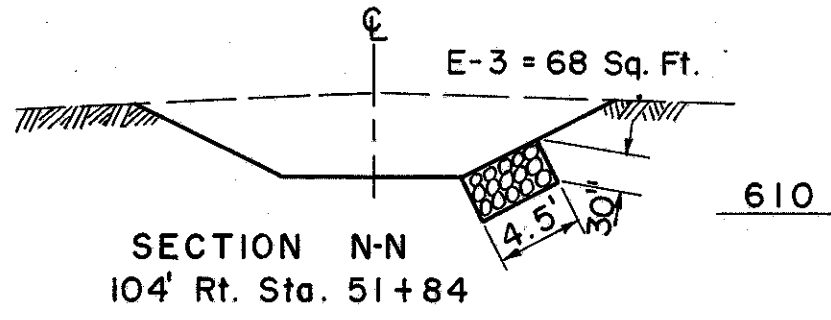
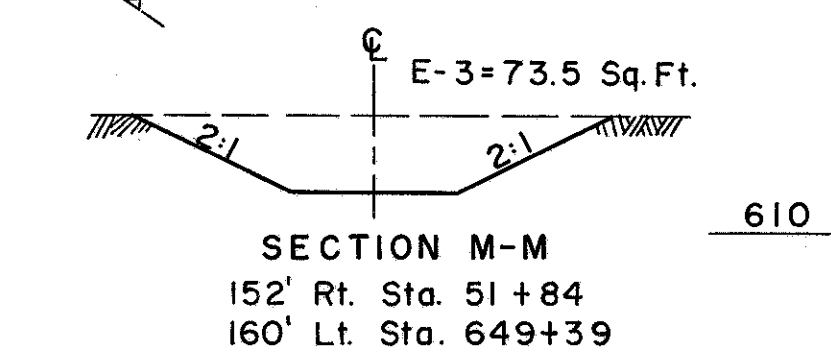
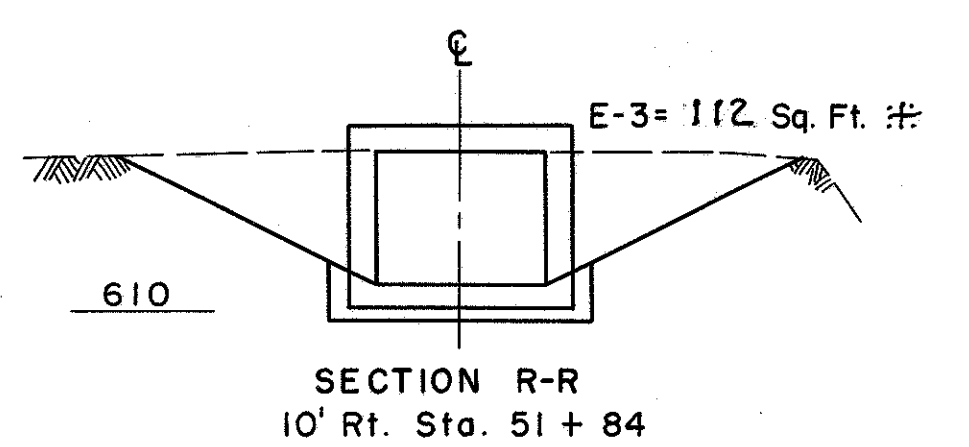
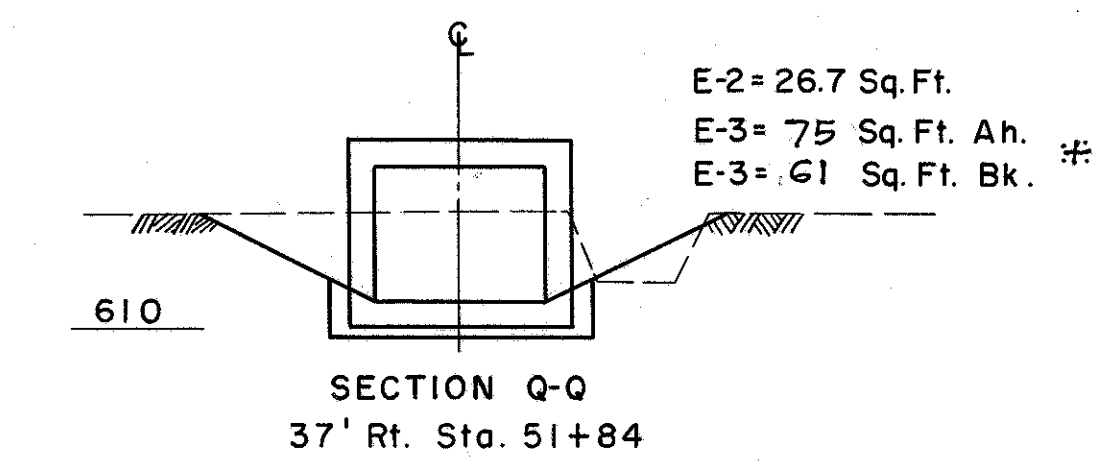
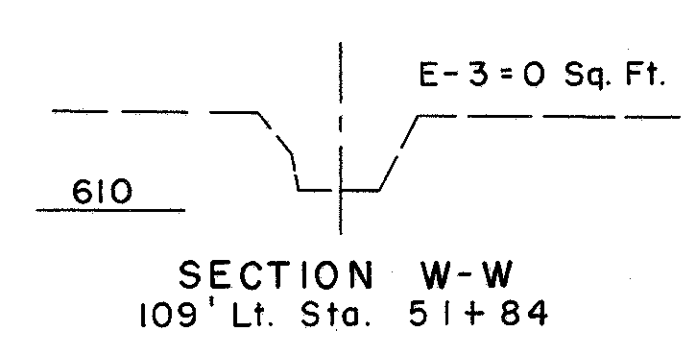
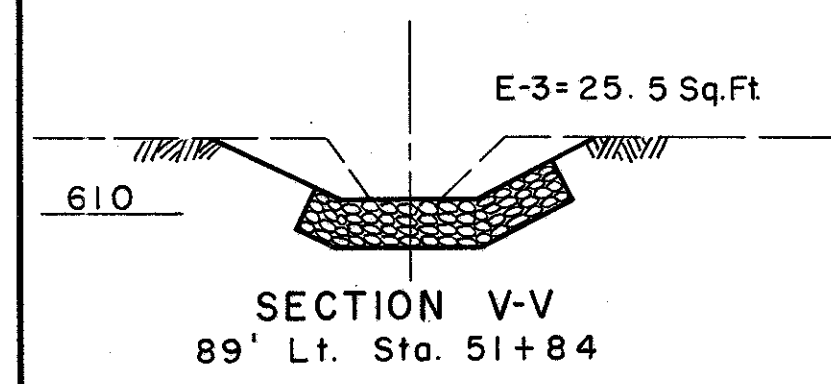
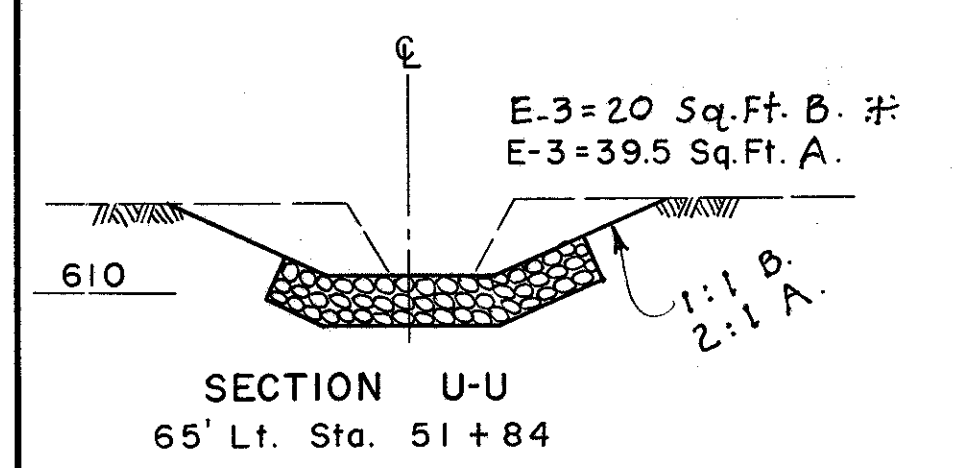
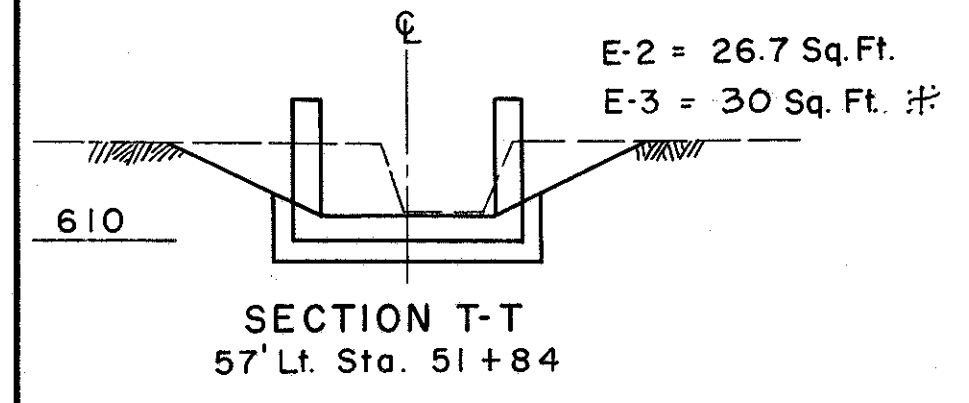
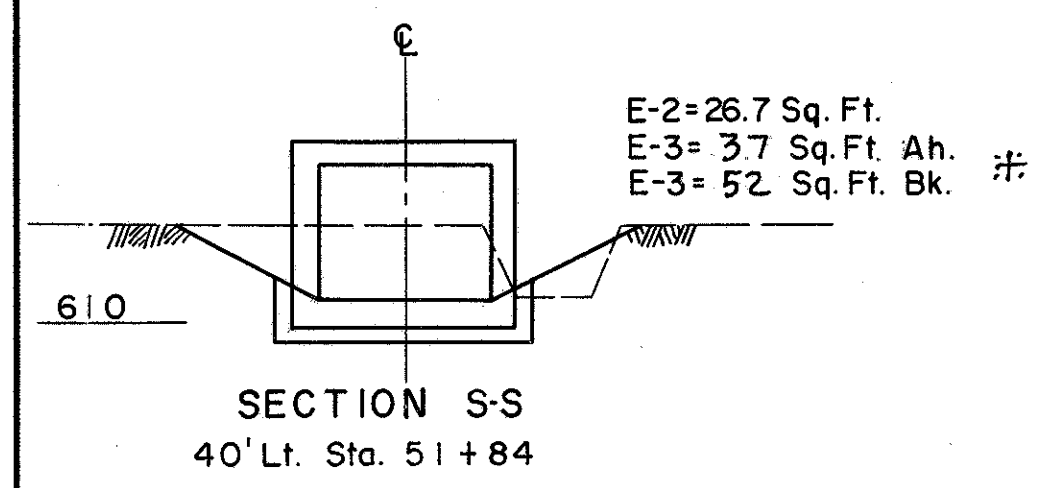


CURVE DATA
RELOC. BLACKBROOK RD.
P.I. Sta. 52+22.13
(300' Lt. S.R.2 @ Sta. 650+50)
Δ = 14° 02' 10.48"
D = 8° 00' 00"
R = 716.19'
T = 88.17'
L = 175.45'

AREA = 1058 ACRES
Q₂₅ = 455 C.F.S.

HEADWATER = 7.84 FT.
OUTLET VELOCITY = 12.3 F.P.S.

⚡ See Note on Sheet No 11.



ESTIMATED QUANTITIES

E-2	Excavation for Structure	140 C.Y.
E-3	Channel Excavation	546 C.Y.
I-10	Dumped Rock Channel Protection	46 C.Y.
S-4	Reinforcing Steel	28,131 LBS.
S-1	Concrete for Structures Class "C"	191 C.Y.

CULVERT DATA
TYPE: Box Culvert. Std. Dwg. L.B.C. 45
SIZE: 9' x 7'
WORK REQUIRED: Build a Box Culvert
Excavate channel Rt. & Lt. Place
dumped rock and fill old channel
as shown.