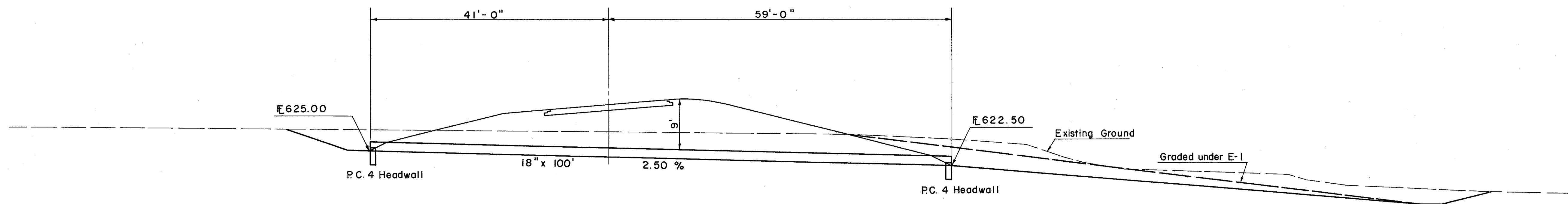
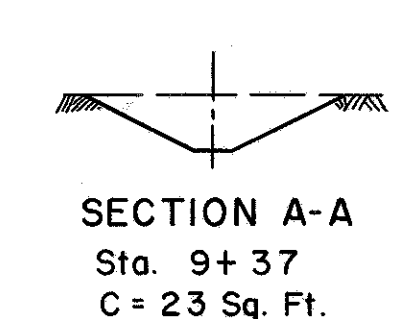
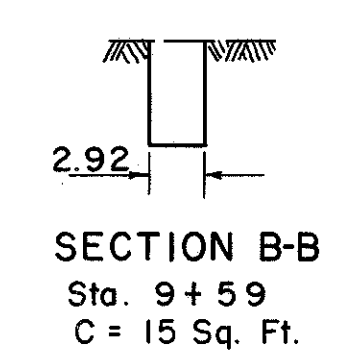
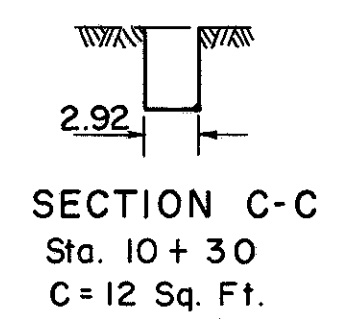


AREA = 3.86 ACRE
Q₁₀ = 6.5 C.F.S

HEADWATER = 1.50 FT.
OUTLET VELOCITY = 90 FPS.



ESTIMATED QUANTITIES

* E-2	Excavation for Structures	46 C.Y.
E-3	Channel Excavation	49.5 C.Y.
L-10	Sodding	9 S.Y.
S-1	Concrete for Structures Class "E"	0.6 C.Y.
S-27	18" Pipe for Roadway Culverts Sec. M-6.8(b) or M-6.6 (b)	100 L.F.

* Includes Excavation for Headwalls.

CULVERT DATA

TYPE: S-27 Sec. M-6.8(b) or M-6.6 (b)
 SIZE: 18" x 100'
 WORK REQUIRED: Build a pipe culvert with Std. P.C. 4 Headwall. Place sodding Rt. & Lt. as shown. Excavate for channel Rt.