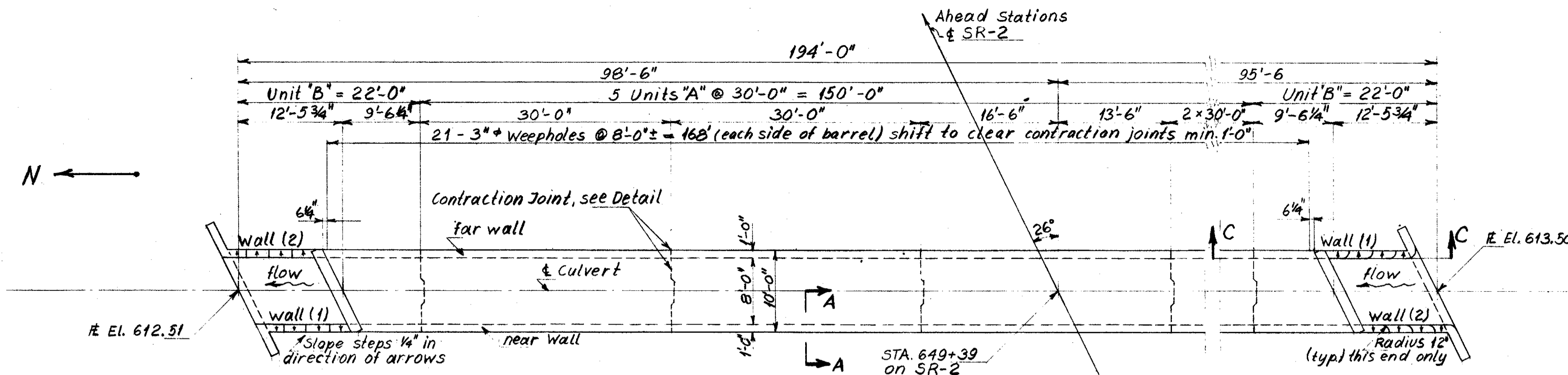
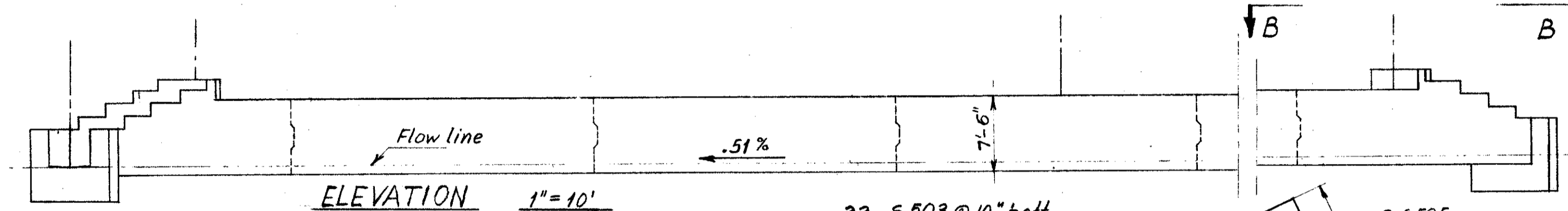


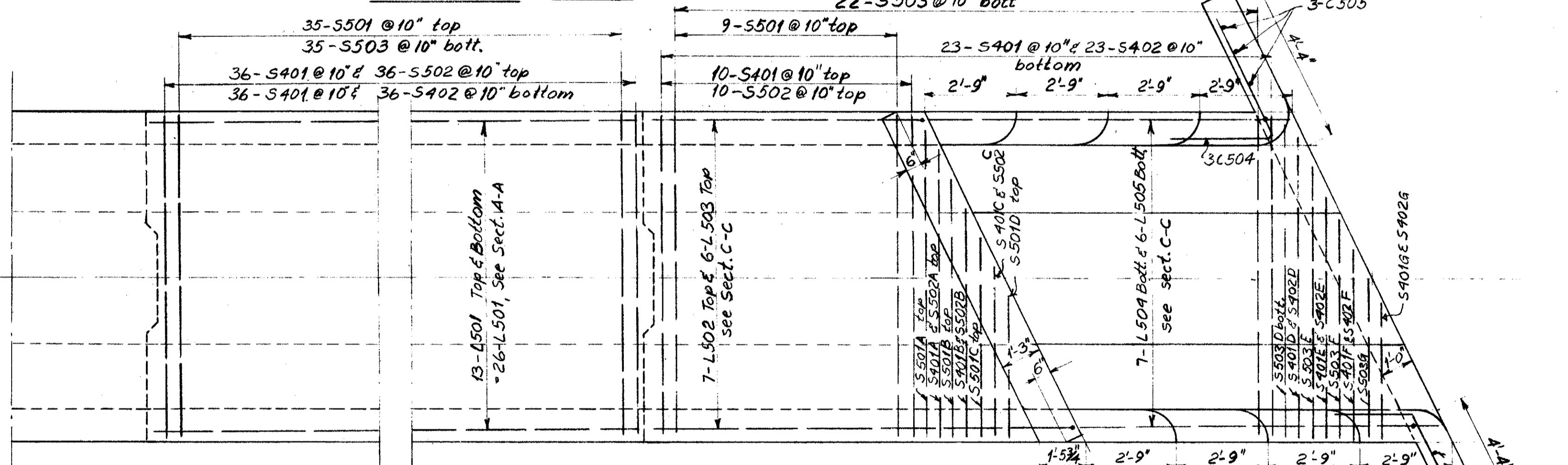
LAKE COUNTY  
LAK-2-10.35



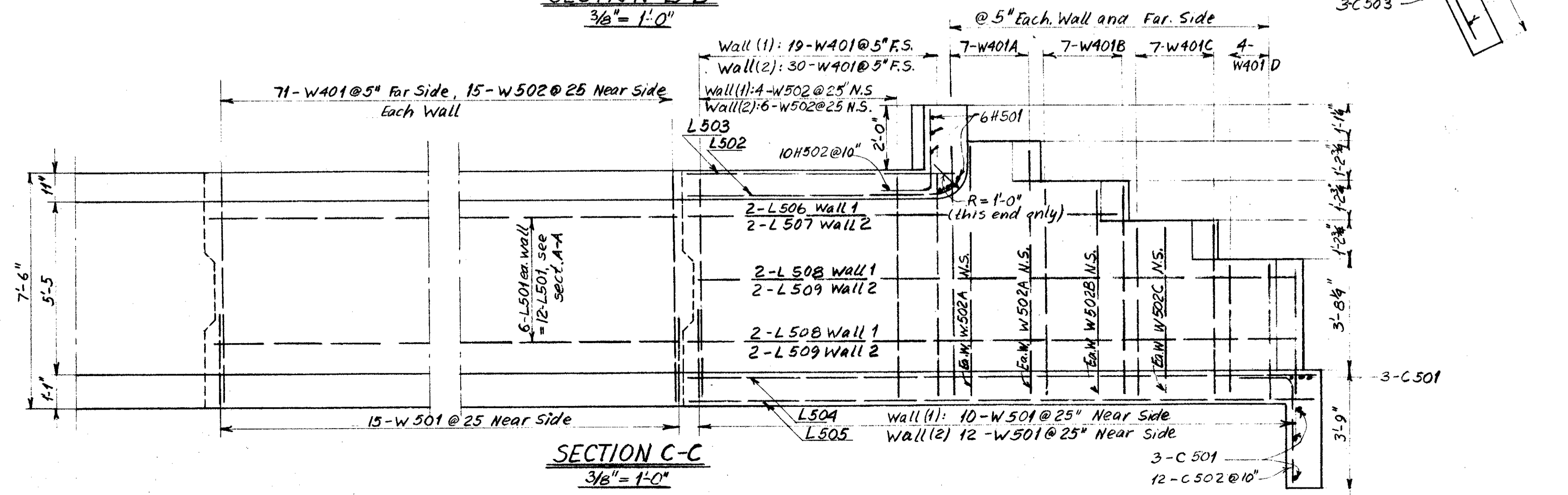
PLAN  
1" = 10'



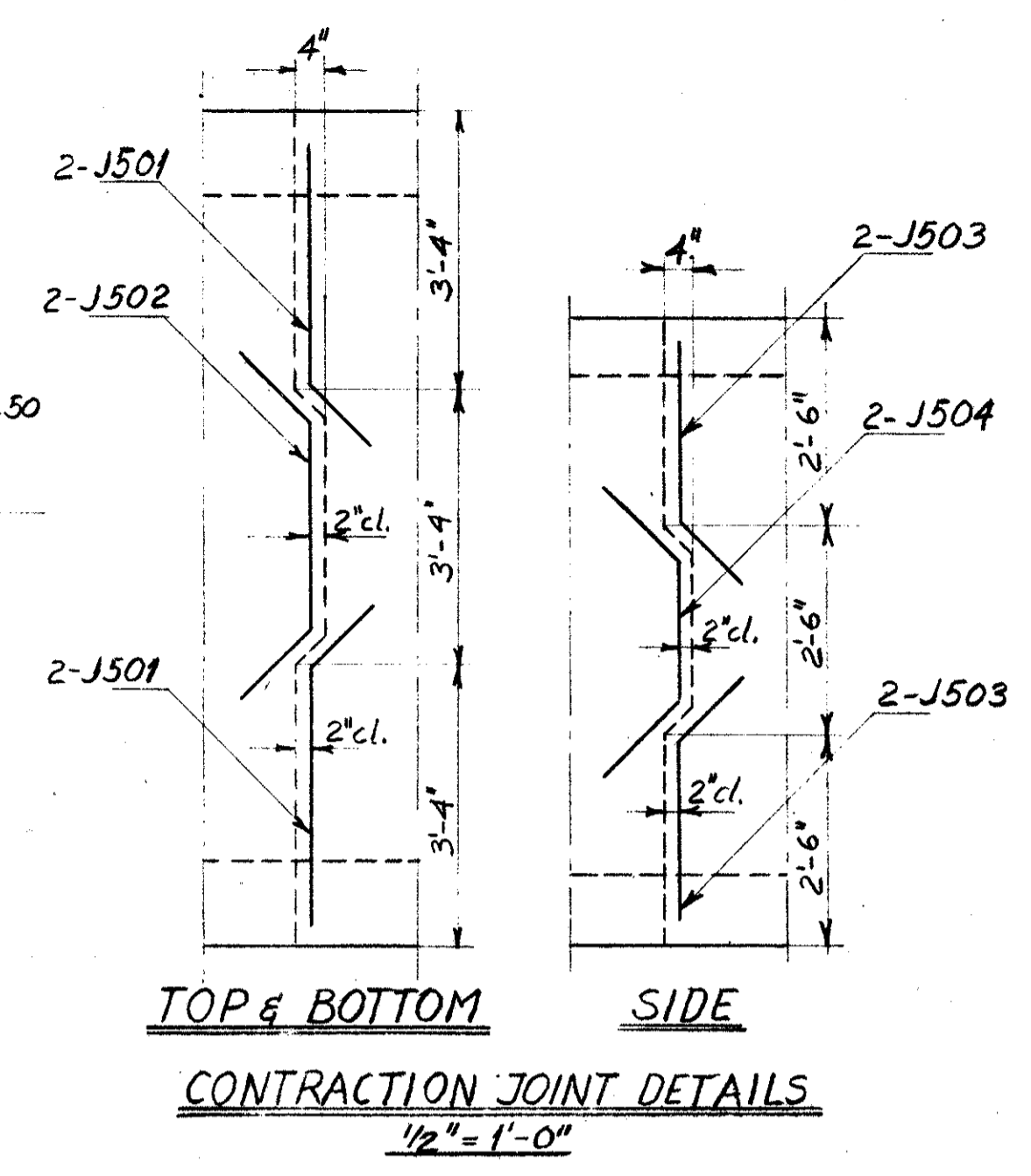
ELEVATION  
1" = 10'



SECTION B-B  
3/8" = 1'-0"



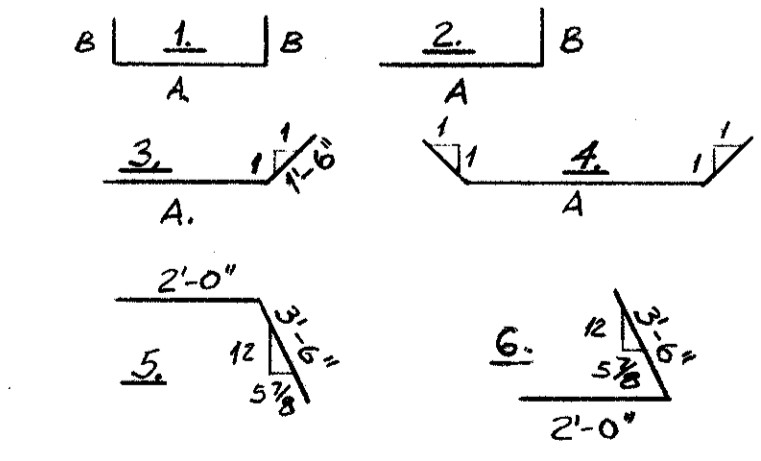
SECTION C-C  
3/8" = 1'-0"



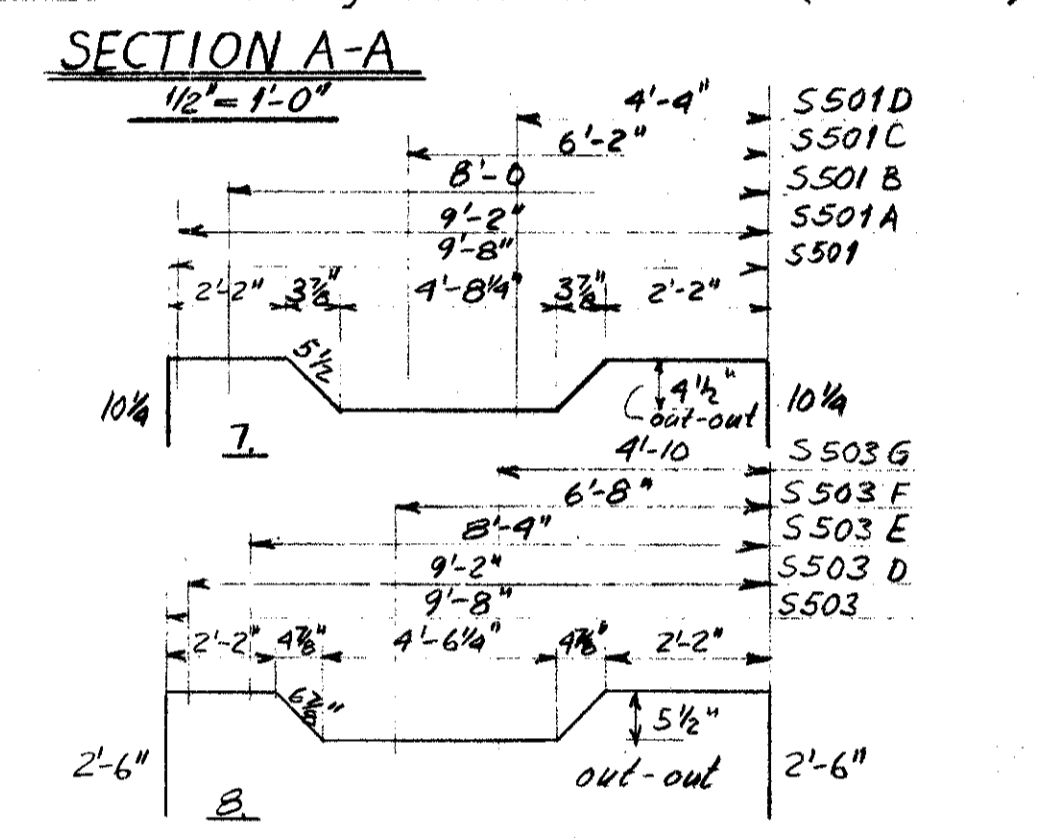
Reinforcing Steel List

Mark	No	Length	Weight	Type	A	B	Mark	No	Length	Weight	Type
S401	426	9'-6"	2700	Str.			S501	184	11'-5"	2190	7
S401A	2	8'-6"	11	Str.			S501A	2	10'-4"	22	7
S401B	2	7'-0"	9	Str.			S501B	2	9'-2"	19	7
S401C	2	5'-0"	7	Str.			S501C	2	7'-2"	15	7
S401D	2	9'-0"	12	Str.			S501D	2	5'-4"	11	7
S401E	2	7'-6"	10	Str.			S503	197	14'-9"	3090	8
S401F	2	5'-9"	8	Str.			S503D	2	12'-0"	25	8
S401G	2	4'-0"	5	Str.			S503E	2	11'-2"	23	8
S402	203	14'-5"	1953	1	9'-8"	2'-6"	S503F	2	9'-4"	19	8
S402D	2	11'-6"	15	2	9'-0"	2'-6"	S503G	2	7'-6"	16	8
S402E	2	10'-0"	13	2	7'-6"	2'-6"					
S402F	2	8'-3"	11	2	5'-9"	2'-6"					
S402G	2	6'-6"	9	2	4'-0"	2'-6"					
S502	200	7'-6"	1982								
S502A	2	8'-6"	18	Str.							
S502B	2	7'-0"	15	Str.							
S502C	2	5'-0"	10	Str.							
W401	808	7'-1"	3820	2	6'-6"	7"					
W401A	28	7'-11"	148	2	7'-4"	7"					
W401B	28	6'-9"	126	2	6'-2"	7"					
W401C	28	5'-5"	102	2	4'-10"	7"					
W401D	16	4'-3"	45	2	3'-8"	7"					
W501	194	3'-9"	759	2	3'-0"	9"					
W502	170	6'-0"	1065	Str.							
W502A	8	6'-9"	56	Str.							
W502B	4	5'-6"	23	Str.							
W502C	4	4'-6"	19	Str.							
L501	190	29'-6"	5890	Str.							
L502	7	*	76	Str.							
L503	6	*	66	Str.							
L504	7	*	167	Str.							
L505	6	*	144	Str.							
L506	2	13'-6"	28	Str.							
L507	2	18'-3"	38	Str.							
L508	4	19'-0"	40	Str.							
L509	4	23'-6"	49	Str.							
J501	48	4'-6"	225	3	3'-0"						
J502	24	5'-2"	130	4	2'-2"						
J503	48	3'-8"	184	3	2'-2"						
J504	24	4'-4"	109	4	1'-4"						
H501	12	10'-4"	130	Str.							
H502	20	3'-6"	73	2	2'-2"	1'-4"					
C501	6	18'-0"	113	Str.							
C502	12	4'-6"	56	2	3'-3"	1'-3"					
C503	3	5'-6"	17	5							
C504	3	5'-6"	17	6							
C505	6	7'-0"	44	Str.							

\* one of each, L-8'-2", 10'-2", 9'-6", 10'-1", 10'-8", 11'-6", 12'-6"  
 \* --- L=8'-2", 10'-2", 9'-8", 10'-8", 11'-8", 12'-8"  
 \* --- L=11'-6", 20'-6", 20'-8", 21'-2", 21'-9", 22'-7", 23'-7"  
 \* --- L=19'-3", 20'-3", 20'-9", 21'-8", 22'-9", 23'-9"



First digit in bar designation indicate the bar size, i.e. J501 is a No 5 bar  
 Near Side is also interior face  
 Far Side is also exterior face.



Item	Unit	Description	Total
E-2	cuyd	Unclassified Excavation	168
E-3	cuyd	Channel Excavation	522
I-10	cuyd	Dumped Rock	60
S-1	cuyd	Concrete Class "C"	202
S-4	lbs	Reinforcing Steel	25,877

\* See Note on Sheet No 11.

SEC. L-33  
 PREPARED BY  
 CAPITOL ENGINEERING ASSOCIATES, DILLSBURG, PA.  
 FOR  
 STATE OF OHIO  
 DEPARTMENT OF HIGHWAYS  
 DIVISION OF DESIGN AND CONSTRUCTION  
 BUREAU OF BRIDGES  
 BOX CULVERT  
 STRUCTURE NO. LAK-2-1419  
 UNDER RELOCATED S.R.2  
 LAKE COUNTY  
 STA. 649 + 39.00

DESIGNED	DRAWN	TRACED	CHECKED	REVISED	DATE	REVISED
----------	-------	--------	---------	---------	------	---------