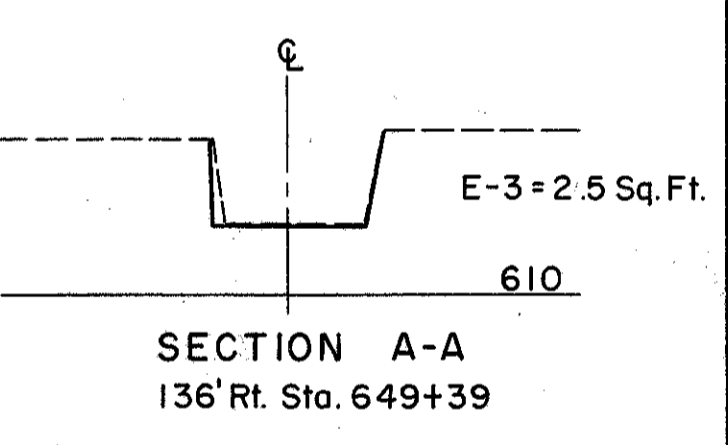
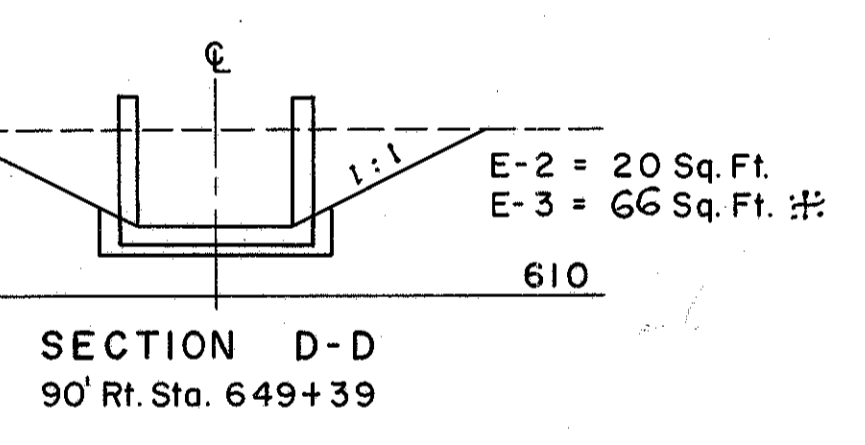
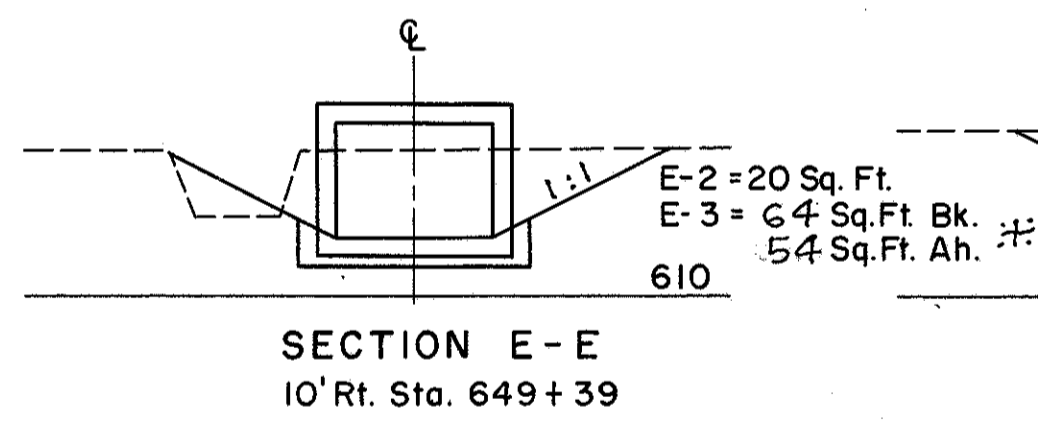
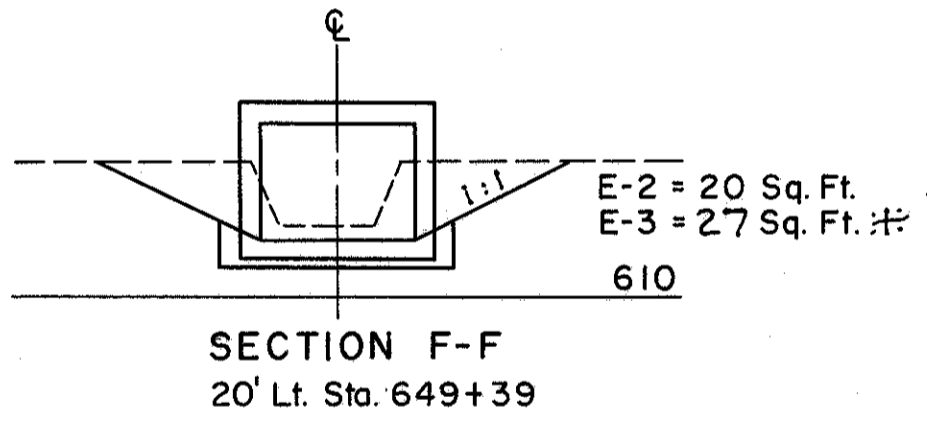
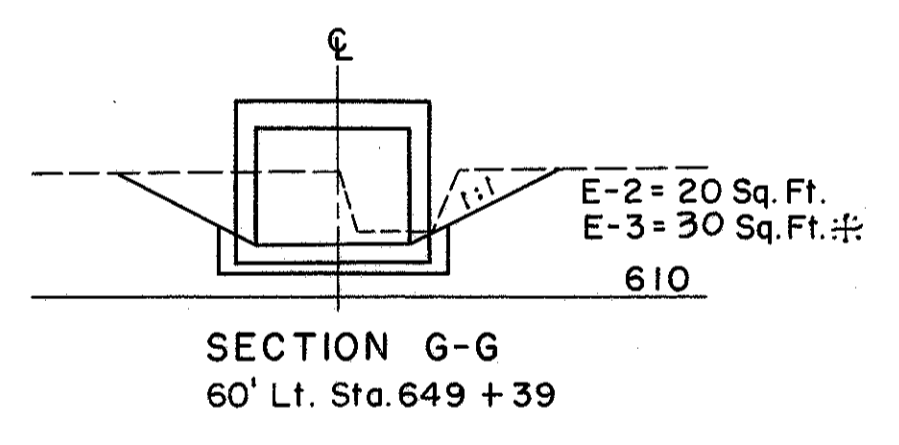
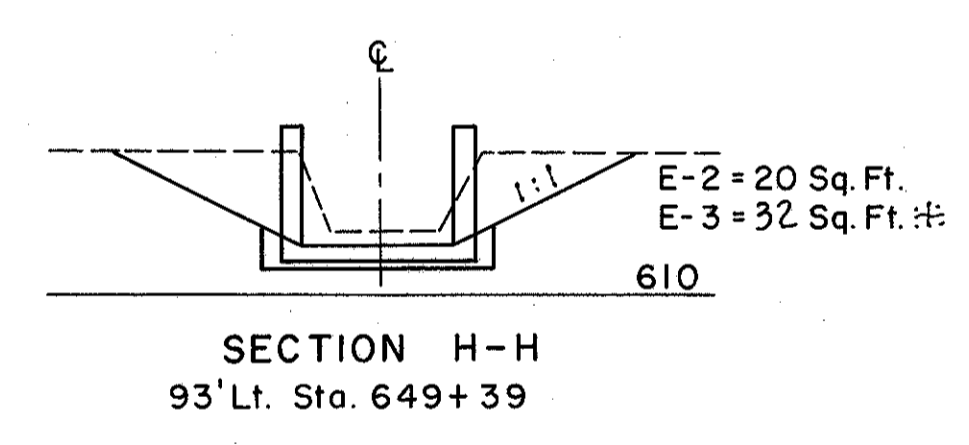
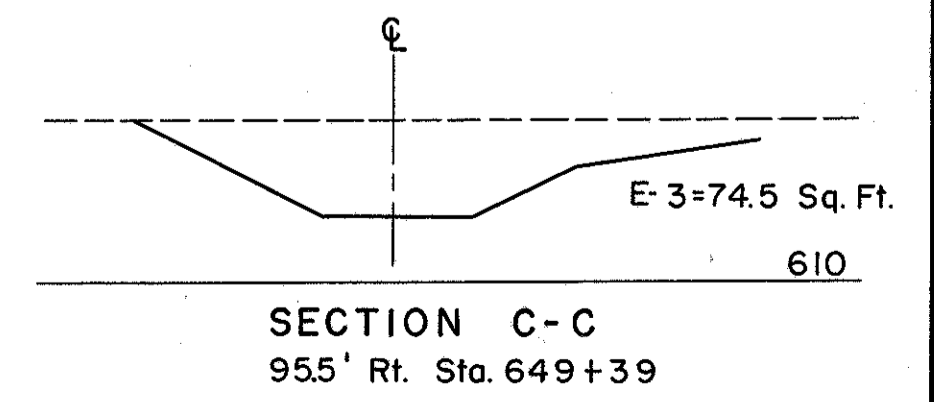
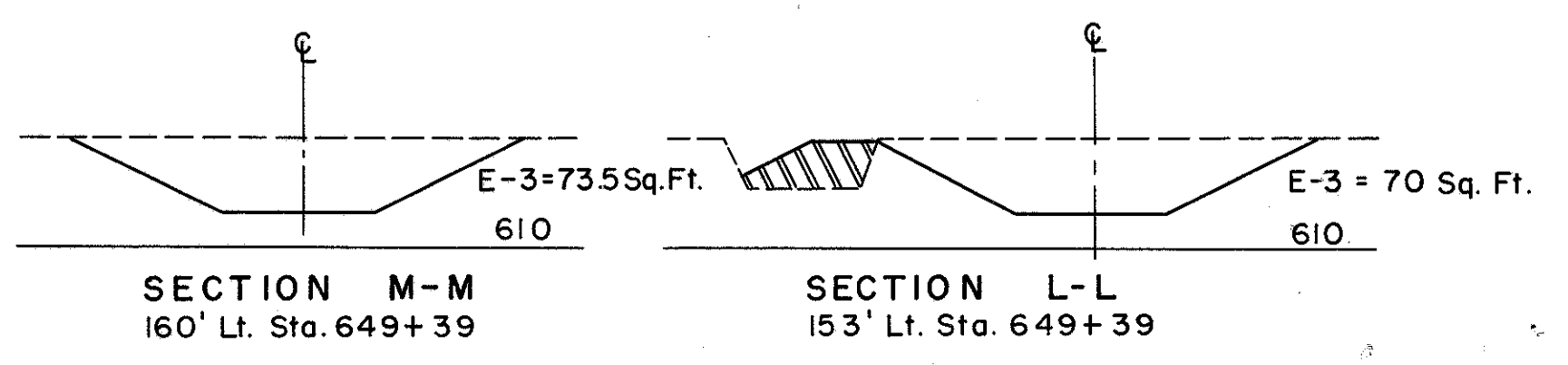
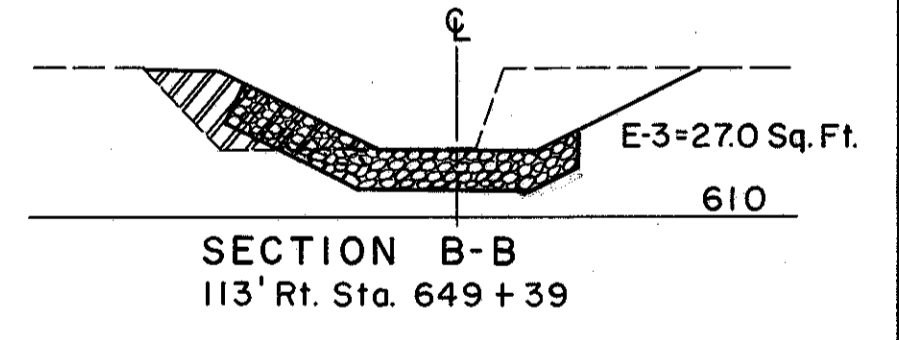
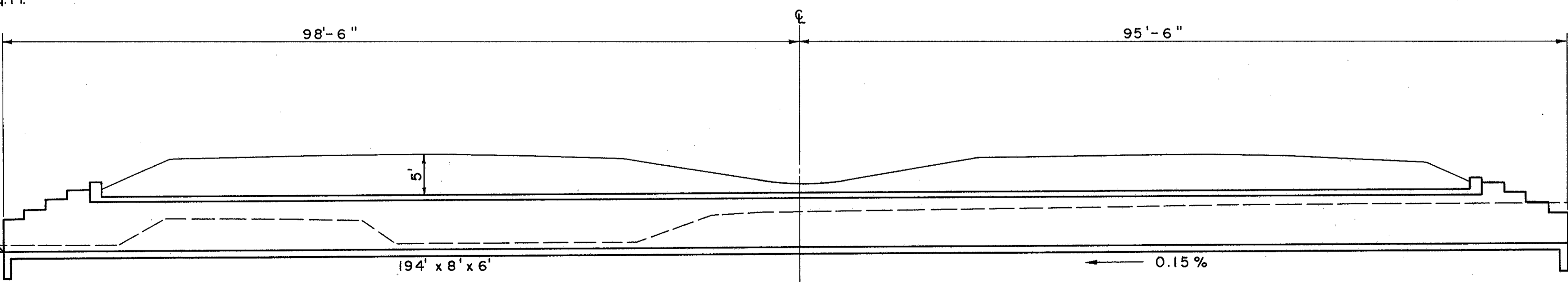
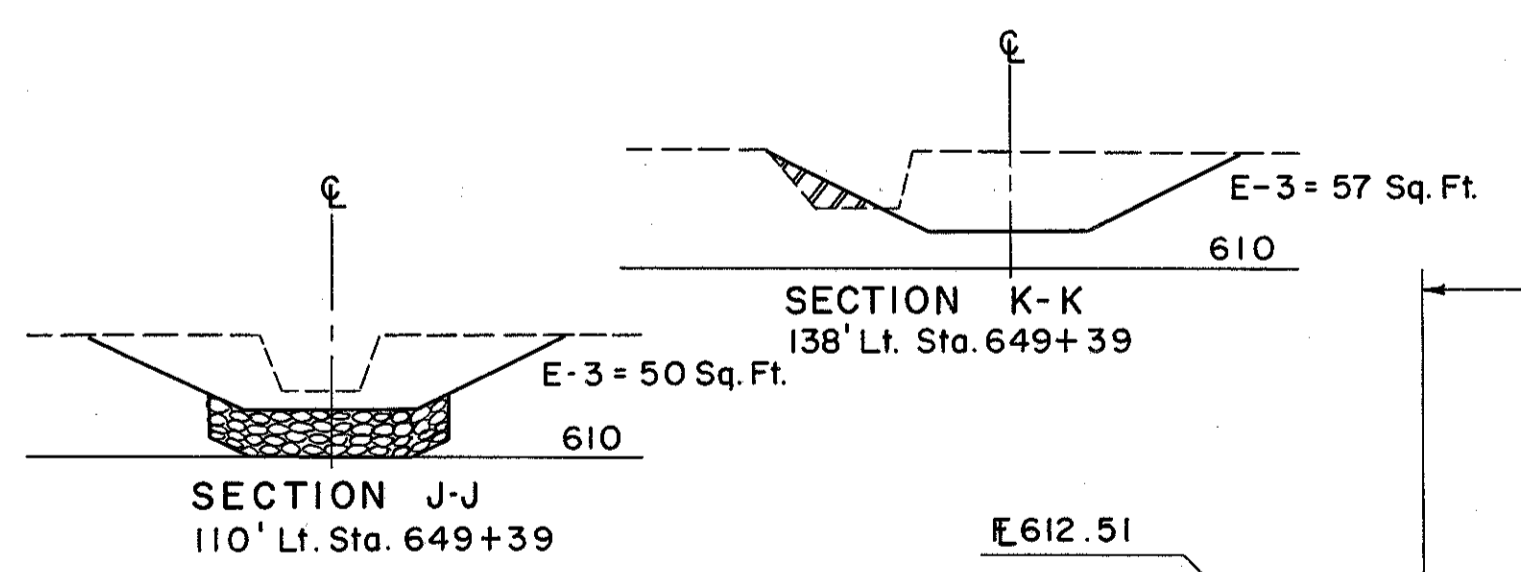


AREA = 1058 ACRES
Q₂₅ = 455 C.F.S.

HEADWATER = 9.04 FT.
OUTLET VELOCITY = 9.48 FPS.



See Note on Sheet No 11.



ESTIMATED QUANTITIES

E-2 Excavation for Structure	168 Cu.Yds.
E-3 Channel Excavation	522 Cu.Yds. #
S-4 Reinforcing Steel	25,877 Lbs.
S-1 Concrete for Structures (Class "C")	202 Cu.Yds.
I-10 Dumped Rock	60 Cu.Yd.

CULVERT DATA

TYPE: Box Culvert (Std. Dwg. L.B.C.-45)

SIZE: 8' x 6'

WORK REQUIRED: Build a Box Culvert.
Excavate channel Rt. & Lt. as shown.
Fill old channel Rt. & Lt. as shown.
Place Dumped Rock as shown.