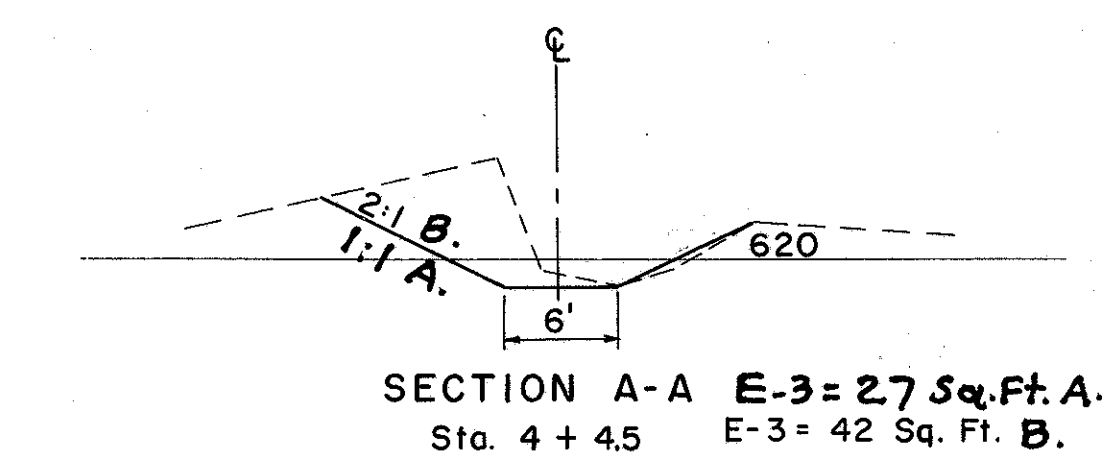
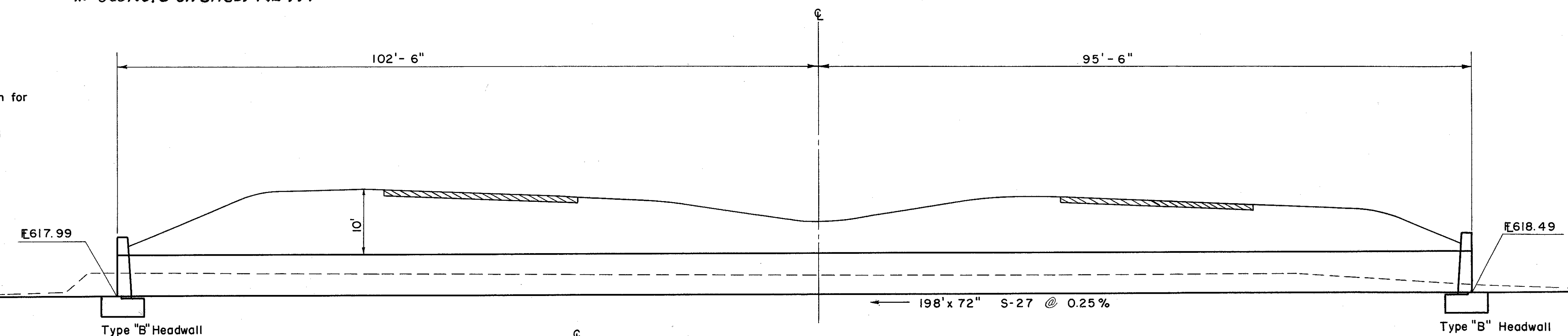
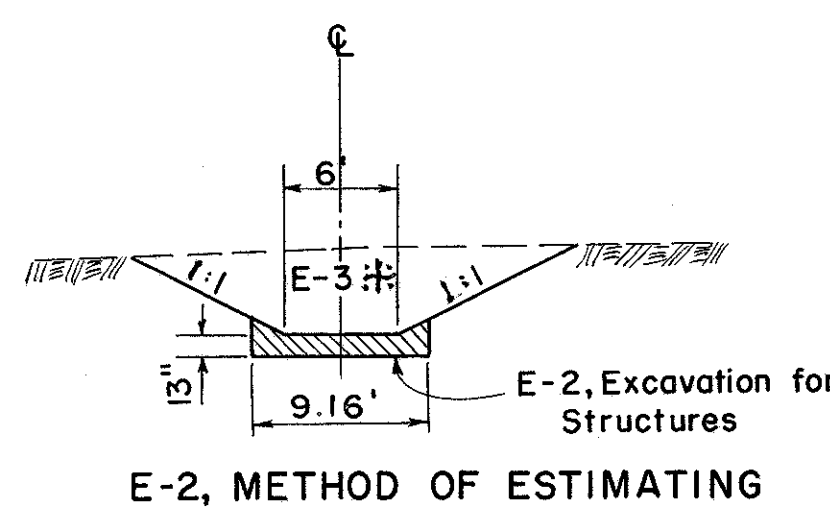


AREA = 4.70 ACRES
Q 25 = 220 C.F.S.

HEADWATER = 4.39 FT.
OUTLET VELOCITY = 8.6 F.P.S.

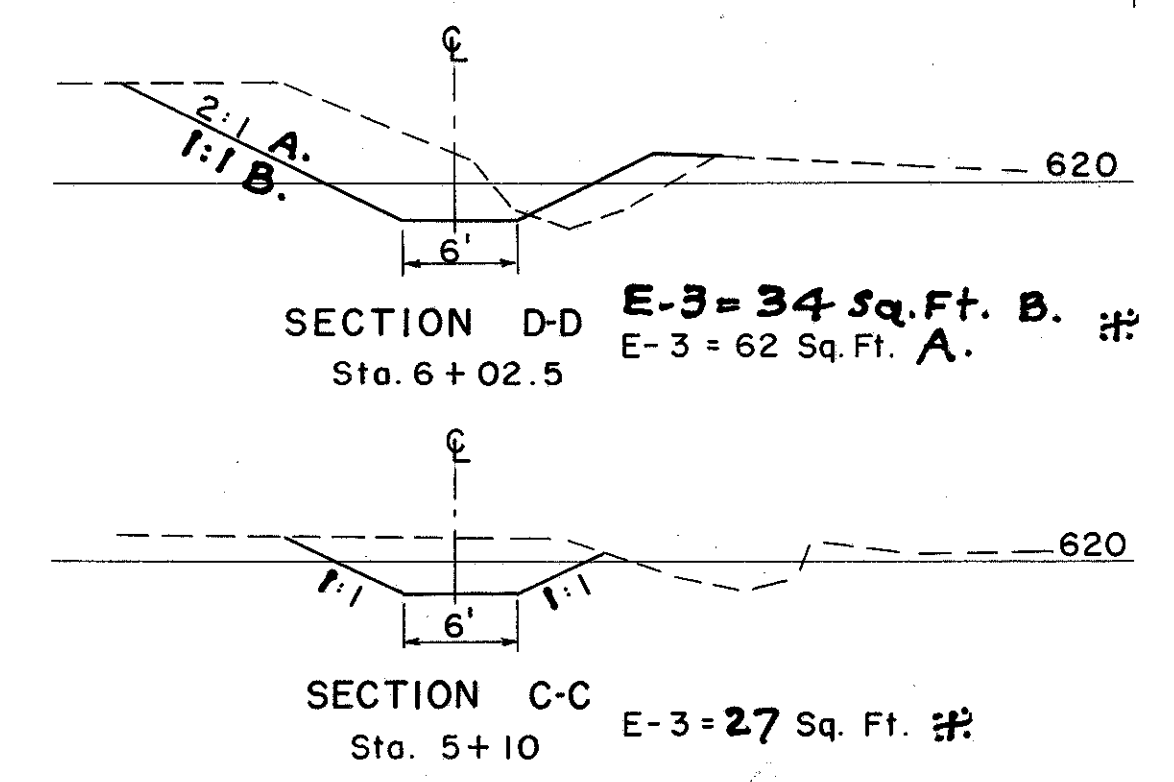
⚡ See Note on Sheet No. 11.



ESTIMATED QUANTITIES

* E-2 Excavation for Structures	193 C.Y.
E-3 Channel Excavation	264 C.Y. #
L-10 Sodding	13 S.Y.
S-1 Concrete for Structures Class "C"	74.4 C.Y.
S-4 Reinforcing Steel	3,022 Lbs.
S-27 72" Pipe for Roadway Culverts Sec. M-6.6 (b)	198 L.F.

* Includes Excavation for Headwalls



CULVERT DATA

TYPE: Pipe Culvert S-27 M-6.6(b)

SIZE: 198'-72"

WORK REQUIRED: Build a pipe culvert with type "B" headwalls. Place sodding and excavate channel Rt. & Lt. as shown.

