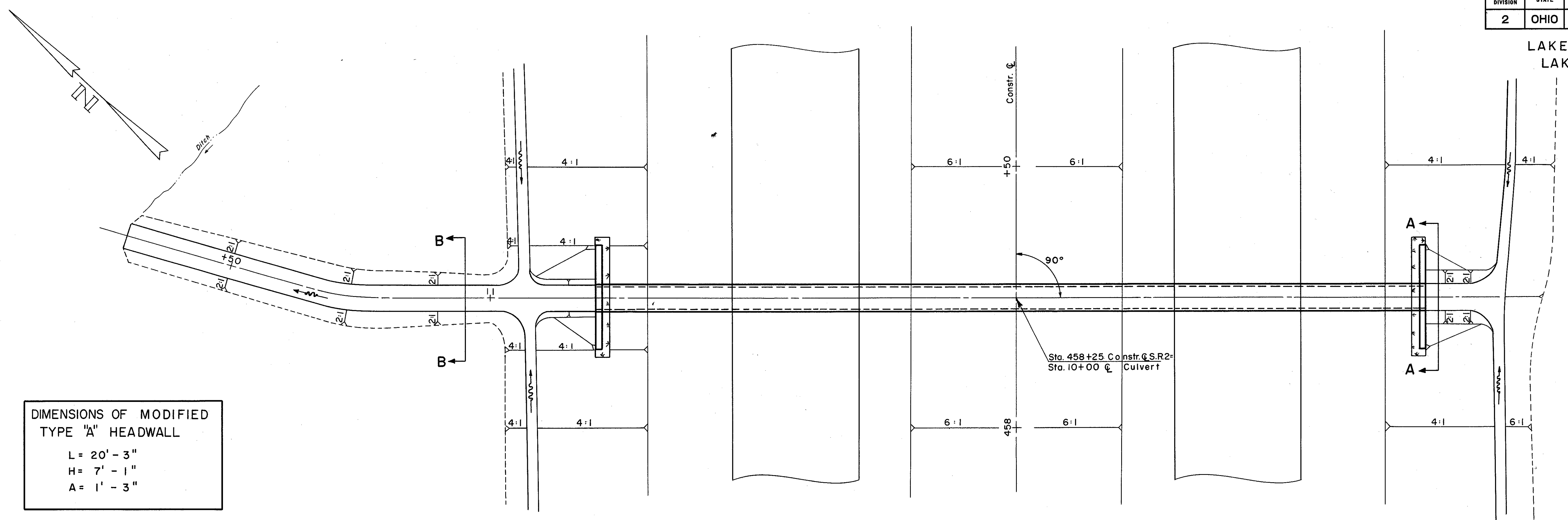


LAKE COUNTY
LAK-2-10.35

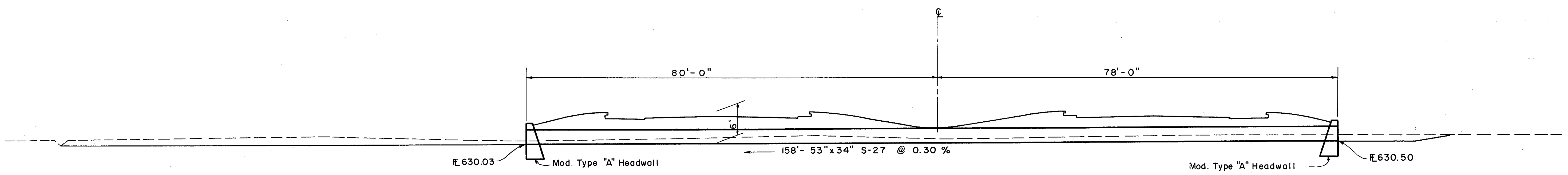


DIMENSIONS OF MODIFIED TYPE "A" HEADWALL
 L = 20' - 3"
 H = 7' - 1"
 A = 1' - 3"

AREA = 60 ACRES
 Q₂₅ = 50 C.F.S.

HEADWATER = 2.70 FT.
 OUTLET VELOCITY = 6.6 F.P.S.

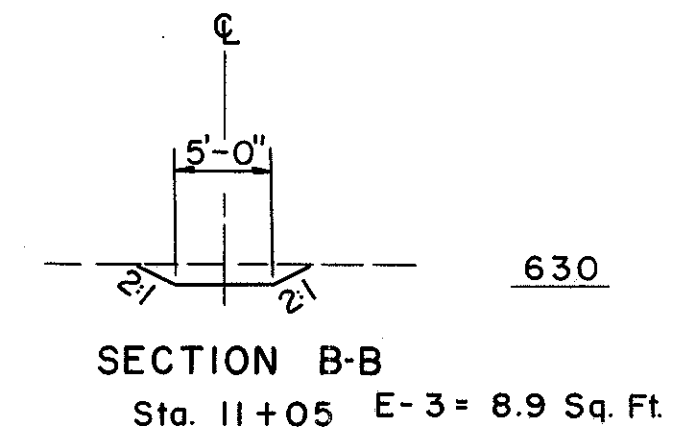
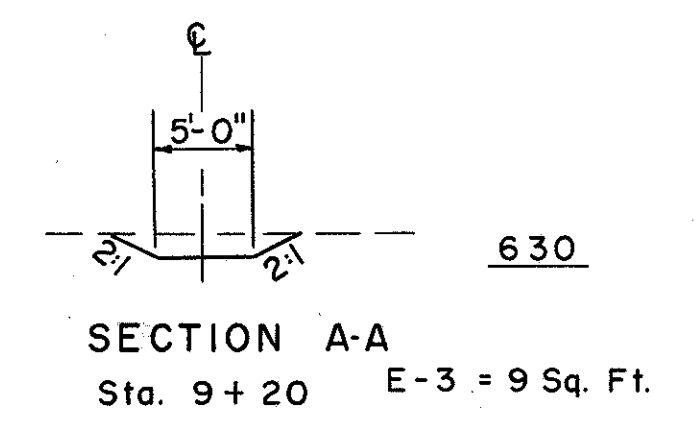
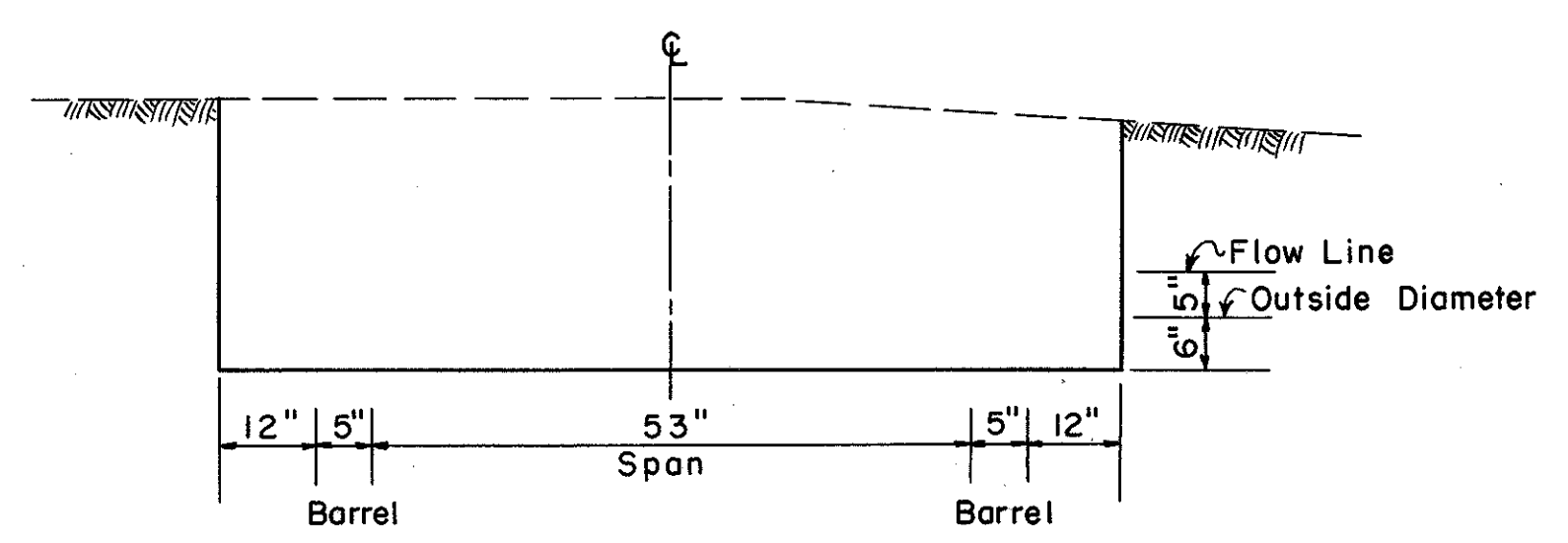
CULVERT DATA
 TYPE: S-27, Sec. M-206.6 (b)
 SIZE: 158' - 53" x 34"
 WORK REQUIRED: Build a pipe culvert with modified type "A" headwalls. Place sodding and excavate channel Rt. and Lt. as shown.



ESTIMATED QUANTITIES

* E-2	Excavation for Structures	76 C.Y.
E-3	Channel Excavation	33 C.Y.
L-10	Sodding	9 S.Y.
S-1	Concrete for Structures Class "C"	23.4 C.Y.
S-4	Reinforcing Steel	738 Lbs.
S-27	53" x 34" Pipe for Roadway Culverts Sec. M-206.6 (b)	158 L.F.

* Includes Excavation for Headwalls



METHOD OF ESTIMATING E-2, EXCAVATION FOR STRUCTURES

STRUCTURE NO. LAK-2-1057
 PIPE CULVERT STA. 458+25