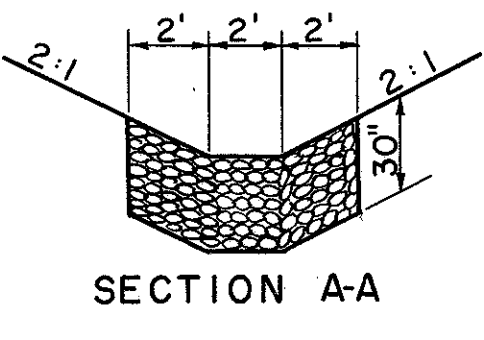
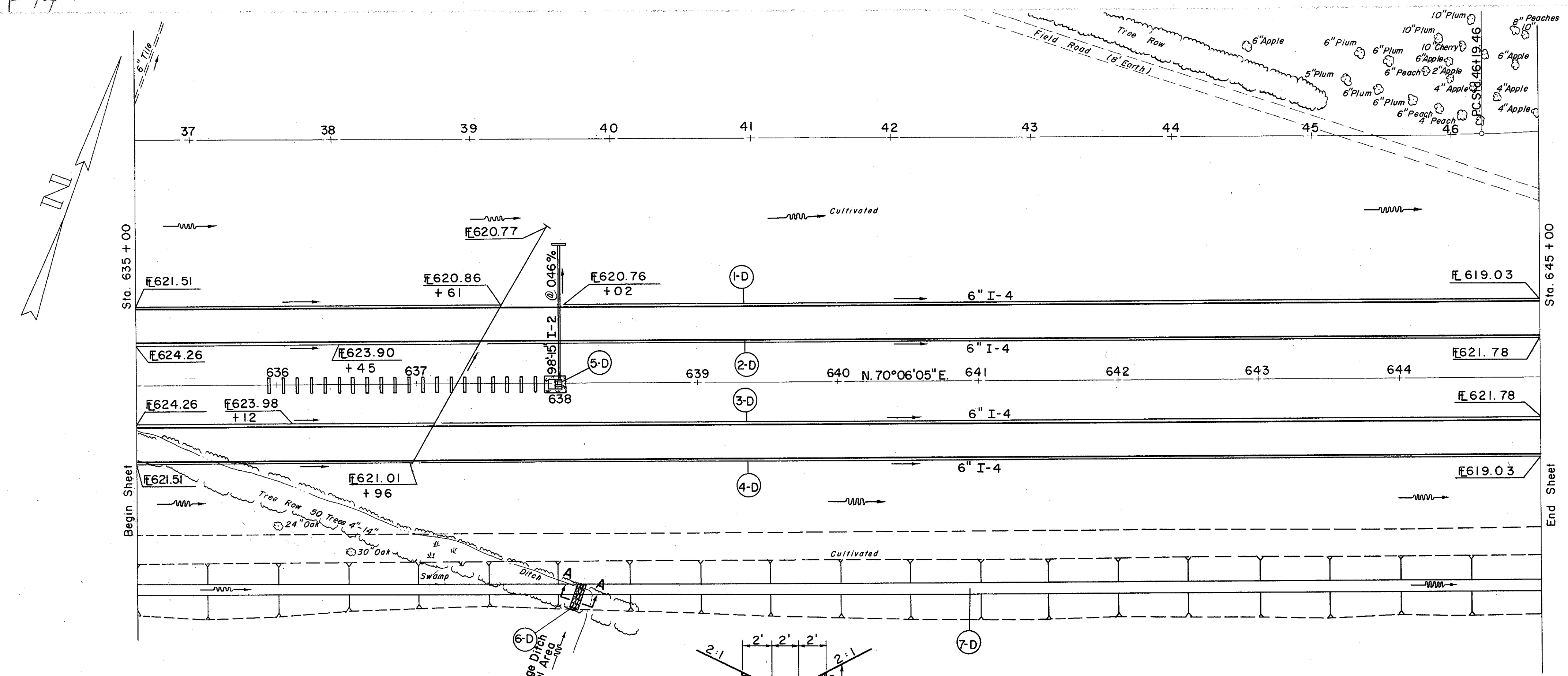


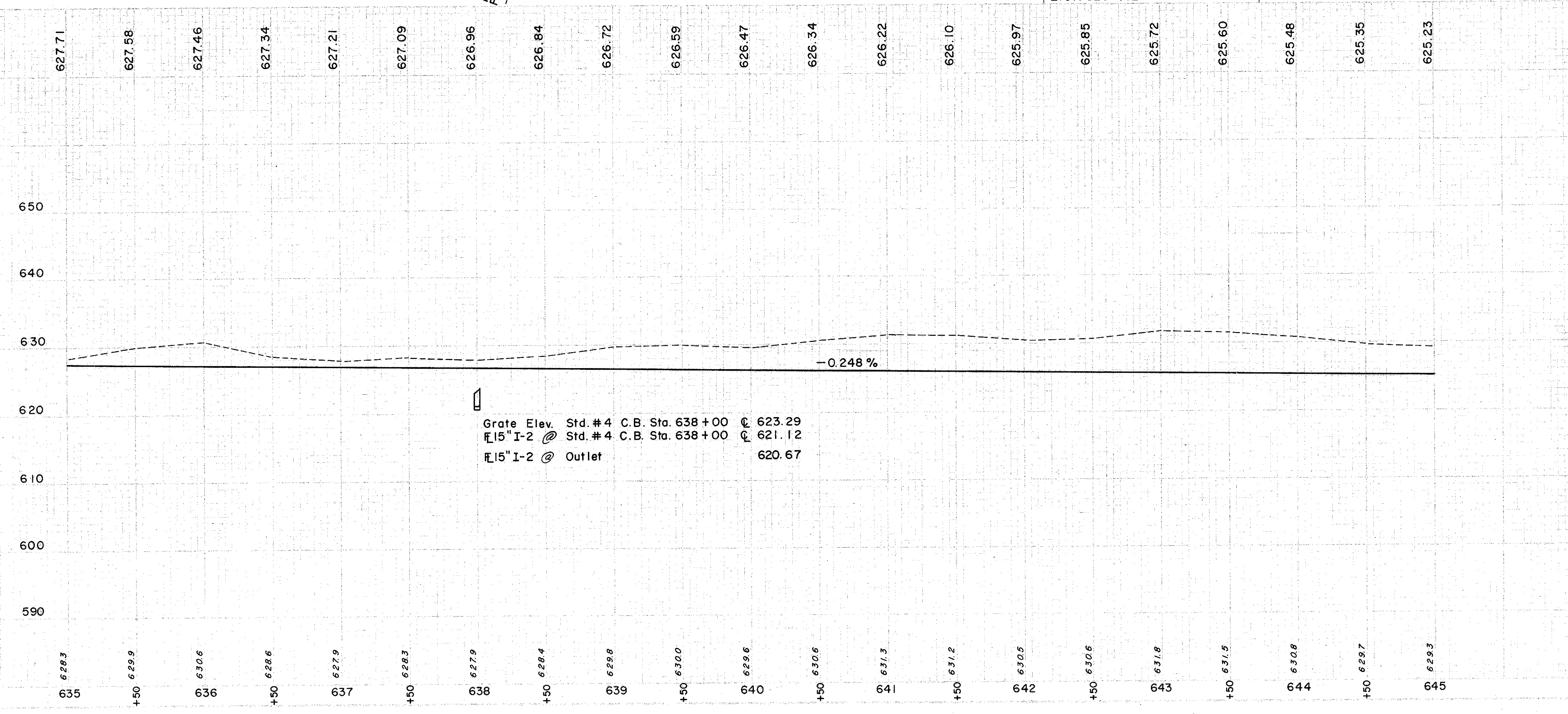
8.9

F-14

LAKE COUNTY
LAK-2-10.35



B.M. # 61 Lag Bolt in 16" Ash
200' Lt. of Sta. 643 + 50
Elev. 629.412



Grate Elev. Std. # 4 C.B. Sta. 638 + 00 @ 623.29
 15" I-2 @ Std. # 4 C.B. Sta. 638 + 00 @ 621.12
 15" I-2 @ Outlet 620.67

(D) DRAINAGE

REF. STATION NO.	FROM TO	CLASS "A" STORM SEWER UNDER PAVT. OR SEC. M-6.5 (b) OR SEC. M-6.8 (b)	I-2 8" PIPE OUTLET	I-4 6" PIPE UNDER DRAIN	I-5 6" x 8" INCREASER	I-8 6" x 8" STD. SEC. WYE # 4 OR M-6.5 (b) OR M-6.8 (b)	I-10 DUMPED ROCK SODDING CHANNEL	S-1 CONC. STRUCT. CL "C"	S-4 REINF. STEEL STRUCT.	E-2 EXC. FOR STRUCT.	E-3 CHANNEL EXC.
		LIN. FT.	LIN. FT.	SHALLOW DEEP	BEND	EACH	C.Y.	C.Y.	LBS.	C.Y.	C.Y.
I-D 635+00	645+00	160	10	958							
2-D 635+00	645+00			996							
3-D 635+00	645+00			996							
4-D 635+00	645+00										
5-D 638+00			98								
6-D 638+15											
7-D 635+00	645+00										6,976

Excavation	41,370 C.Y.
Embankment	1,072 C.Y.
Requirement	20
	1,286 C.Y.