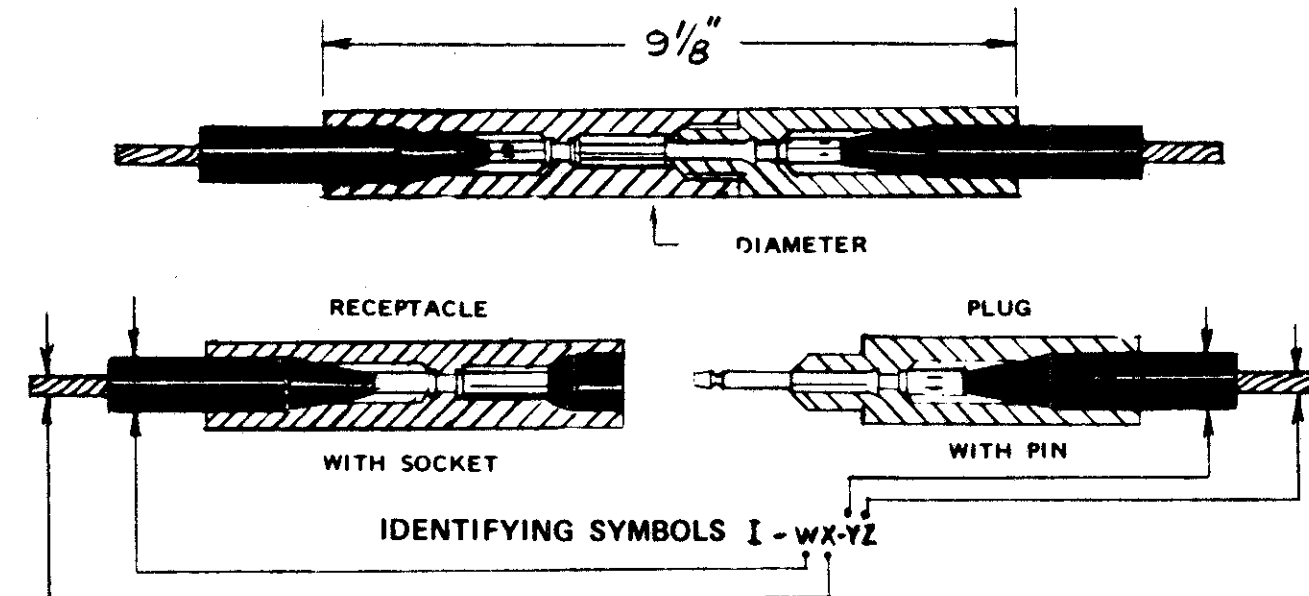


# CABLE CONNECTOR KITS TYPE I THRU TYPE VI.

## NOTES

1. Diameters usually vary along cable lengths. Take several measurements and select the symbols for "W" and "Y" which will insure a tight fit rather than a loose fit between the cables and the openings in the housings of the connector kits.
2. Where a light is located at the end of the lighting circuit one opening of the "Y" connector kit shall be plugged. The plug shall be of insulating material and have the same overall diameter of the lighting circuit cable occupying the other opening of the "Y" connector kit.
3. If the cable has a nylon jacket the jacket shall be peeled back to a point where no part of the jacket is encased in the boot with the insulated cable.



To specify the proper kit for an installation, select from the tables below the symbols which coincide with the requirements and substitute for (W, X) and (Y, Z) respectively.

CABLE DIAMETER		Symbol for W and Y
Min.	Max.	
.195"	.260"	B
.250"	.330"	C
.320"	.430"	DA
.420"	.585"	E
.575"	.785"	F
.775"	.985"	G
.975"	1.125"	H

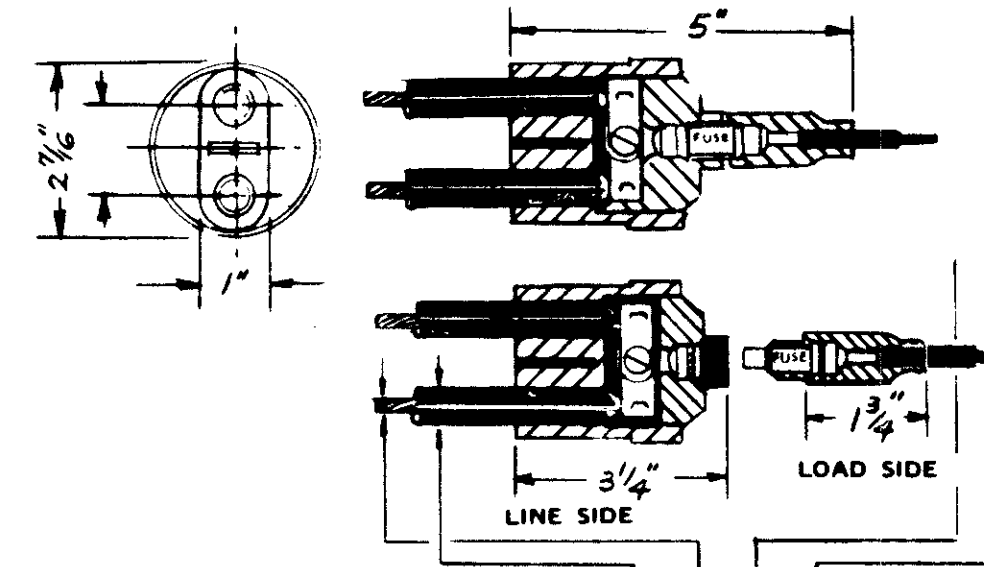
CONDUCTOR SIZE AWG		Symbol for X and Z
Concentric Stranded	Solid	
#10, #12	#8, #10	6
#8	#6	4
#6	#4	3
#4	-	2
#2	-	1

\* Molded rubber adapters are a part of these kits for small diameter cables

### EXAMPLE

If the installation requires a receptacle for no. 6 stranded conductor and a cable diameter of .660" and a plug for no. 8 solid conductor and a cable diameter of .460", the kit required will be I - F3 - E6.

## TYPE I INLINE SELF LOCKING CONNECTOR KIT FOR PULL BOX INSTALLATION.

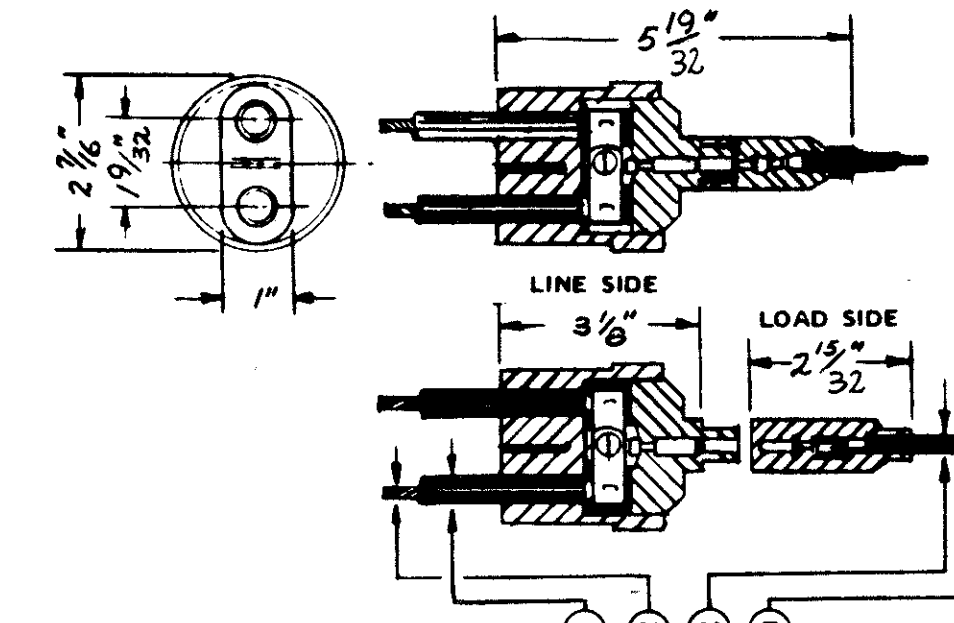


CABLE DIAMETER		Symbol for W	COPPER CONDUCTOR (AWG)		Symbol for X	CABLE DIAMETER		Symbol for Y	COPPER CONDUCTOR (AWG)		Symbol for Z
Min.	Max.		Concentric Stranded	Solid		Min.	Max.		Concentric Stranded	Solid	
.195"	.260"	B	-	#8	6	.120"	.160"	S	#14, #16	#12, #14	8
.250"	.330"	C	#8	#6	4	.155"	.205"	A	#10, #12	#8, #10	6
.320"	.380"	DA	#6	#4	3	.195"	.260"	B	#8	#6	4
.370"	.430"	DB	#4	-	2	.250"	.330"	C	#6	#4	3
.420"	.505"	EA	#2	-	1	.320"	.430"	D	-	-	-
.495"	.585"	EB	#1	-	0						
.575"	.685"	FA	#1/0	-	10						
.675"	.785"	FB	#2/0	-	20						

### EXAMPLE

If the line outside diameter (W) is .42" and the conductor (X) is no. 6 stranded, and the load side outside diameter (Y) is .29" and the conductor (Z) is no. 12 stranded, the kit required will be II - DB3 - C6.

## TYPE II FUSED "Y" CONNECTOR KIT FOR POLE BASE INSTALLATION.

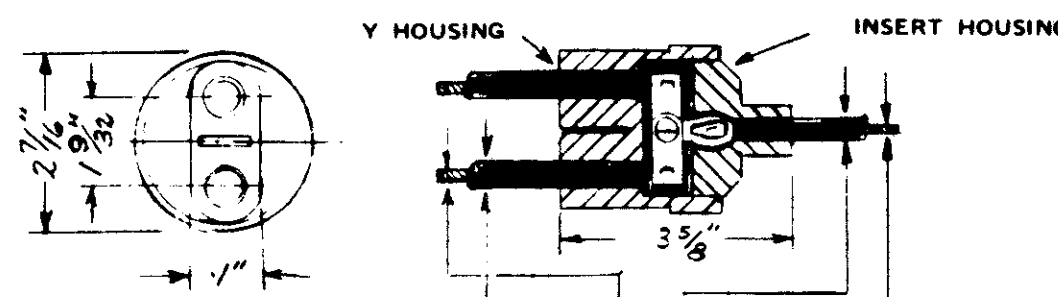


CABLE DIAMETER		Symbol for W	COPPER CONDUCTOR (AWG)		Symbol for X	CABLE DIAMETER		Symbol for Y	COPPER CONDUCTOR (AWG)		Symbol for Z
Min.	Max.		Concentric Stranded	Solid		Min.	Max.		Concentric Stranded	Solid	
.195"	.260"	B	-	#8	6	.120"	.160"	S	#14, #16	#12, #14	8
.250"	.330"	C	#8	#6	4	.155"	.205"	A	#10, #12	#8, #10	6
.320"	.380"	DA	#6	#4	3	.195"	.260"	B	#8	#6	4
.370"	.430"	DB	#4	-	2	.250"	.330"	C	#6	#4	3
.420"	.505"	EA	#2	-	1	.320"	.430"	D	-	-	-
.495"	.585"	EB	#1	-	0						
.575"	.685"	FA	#1/0	-	10						
.675"	.785"	FB	#2/0	-	20						

### EXAMPLE

If the line side cable outside diameter (W) is .54" and the conductor (X) is no. 2 stranded, and the load side cable outside diameter (Y) is .29" and the conductor (Z) is no. 12 stranded, the kit required will be III - EB1 - C6.

## TYPE III UNFUSED "Y" CONNECTOR KIT FOR POLE BASE INSTALLATION.

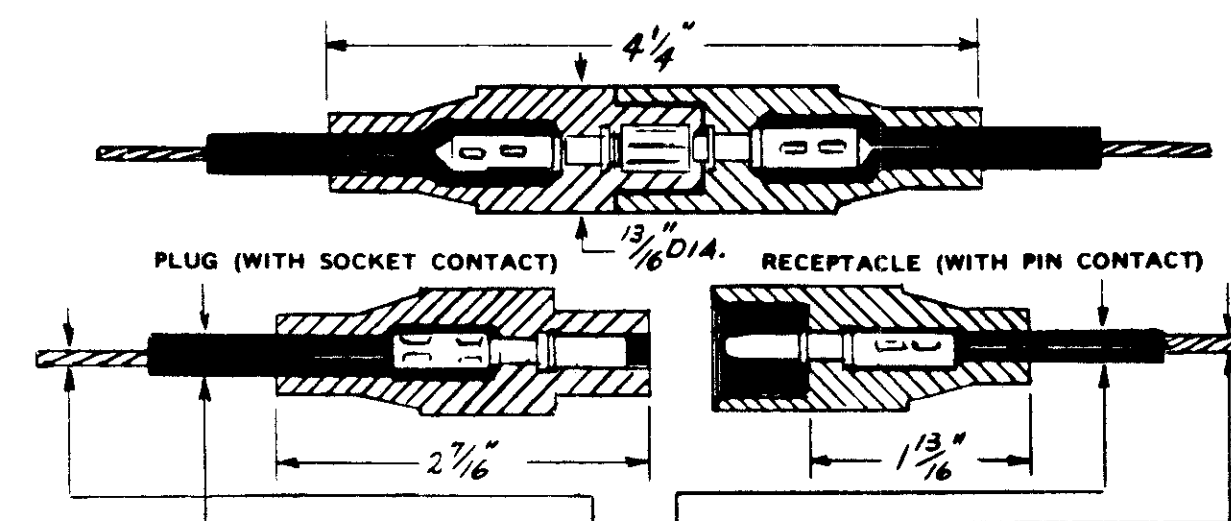


CABLE DIAMETER		Symbol for W	COPPER CONDUCTOR (AWG)		Symbol for X	CABLE DIAMETER		Symbol for Y	COPPER CONDUCTOR (AWG)		Symbol for Z
Min.	Max.		Concentric Stranded	Solid		Min.	Max.		Concentric Stranded	Solid	
.195"	.260"	B	#8	#6	4	.120"	.160"	S	#14, #16	#12, #14	8
.250"	.330"	C	#6	#4	3	.155"	.205"	A	#10, #12	#8, #10	6
.320"	.380"	DA	#4	-	2	.195"	.260"	B	#8	#6	4
.370"	.430"	DB	#2	-	1	.250"	.330"	C	#6	#4	3
.420"	.505"	EA	#1	-	0	.320"	.430"	D	-	-	-
.495"	.585"	EB	#1/0	-	10	.420"	.585"	E	#1	-	0
.575"	.685"	FA	#2/0	-	20	.575"	.785"	F	#1/0	-	10
.675"	.785"	FB	-	-	-				#2/0	-	20

### EXAMPLE

If the twin cable outside diameter (W) is .54" and their conductor (X) is no. 2 stranded, and the single cable outside diameter (Y) is .29" and the conductor (Z) is no. 12 stranded, the kit required will be IV - EB1 - C6.

## TYPE IV UNFUSED "Y" CONNECTOR KIT FOR PULL BOX INSTALLATION

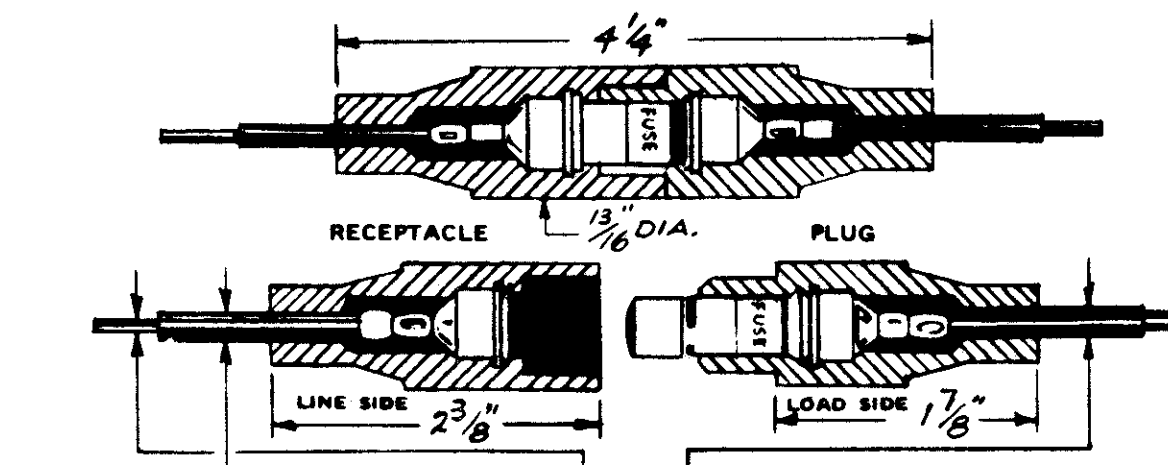


CABLE DIAMETER		Symbol for W	CONDUCTOR SIZE AWG		Symbol for X and Y	CABLE DIAMETER		Symbol for Z
Min.	Max.		Concentric Stranded	Solid		Min.	Max.	
.120"	.160"	S	#14, #16	#12, #14	8	.120"	.160"	S
.155"	.205"	A	#10, #12	#8, #10	6	.155"	.205"	A
.195"	.260"	B	#8	#6	4	.195"	.260"	B
.250"	.330"	C	#6	#4	3	.250"	.330"	C
.320"	.430"	D	#4	-	2	.320"	.430"	D
			#2	-	1			
			#1	-	0			
			#1/0	-	10			
			#2/0	-	20			

### EXAMPLE

If the installation requires a plug for a cable diameter of .38", and a no. 8 stranded conductor, and a receptacle for a cable diameter of .27", and a no. 14 stranded conductor, the kit required will be V - D4 - C8.

## TYPE V UNFUSED INLINE CONNECTOR KIT FOR JUNCTION BOX INSTALLATION.



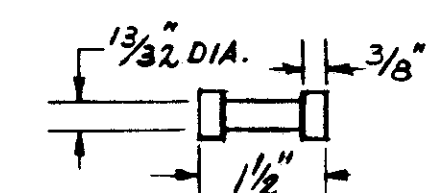
CABLE DIAMETER		Symbol for W	CONDUCTOR SIZE AWG		Symbol for X and Y	CABLE DIAMETER		Symbol for Z
Min.	Max.		Concentric Stranded	Solid		Min.	Max.	
.110"	.110"	T	#14, #16	#12, #14	8	.110"	.110"	T
.120"	.160"	S	#10, #12	#8, #10	6	.120"	.160"	S
.155"	.205"	A	#8	#6	4	.155"	.205"	A
.195"	.260"	B	#6	#4	3	.195"	.260"	B
.250"	.330"	C	#4	-	2	.250"	.330"	C
.320"	.430"	D	#2	-	1	.320"	.430"	D
			#1	-	0			
			#1/0	-	10			
			#2/0	-	20			

### EXAMPLE

If the line outside diameter (W) is .42" and the conductor (X) is no. 6 stranded, and the load side outside diameter (Y) is .29" and the conductor (Z) is no. 12 stranded, the kit required will be VI - D3 - C8.

## TYPE VI FUSED INLINE CONNECTOR KIT FOR JUNCTION BOX INSTALLATION.

### MIDGET TYPE FUSE



Any standard Midget, Ferrule type fuse, (except glass tube) may be used in this connector. Fuses rated 600 volts and 10 amperes, minimum shall be used unless otherwise specified.