

POLE WIRING

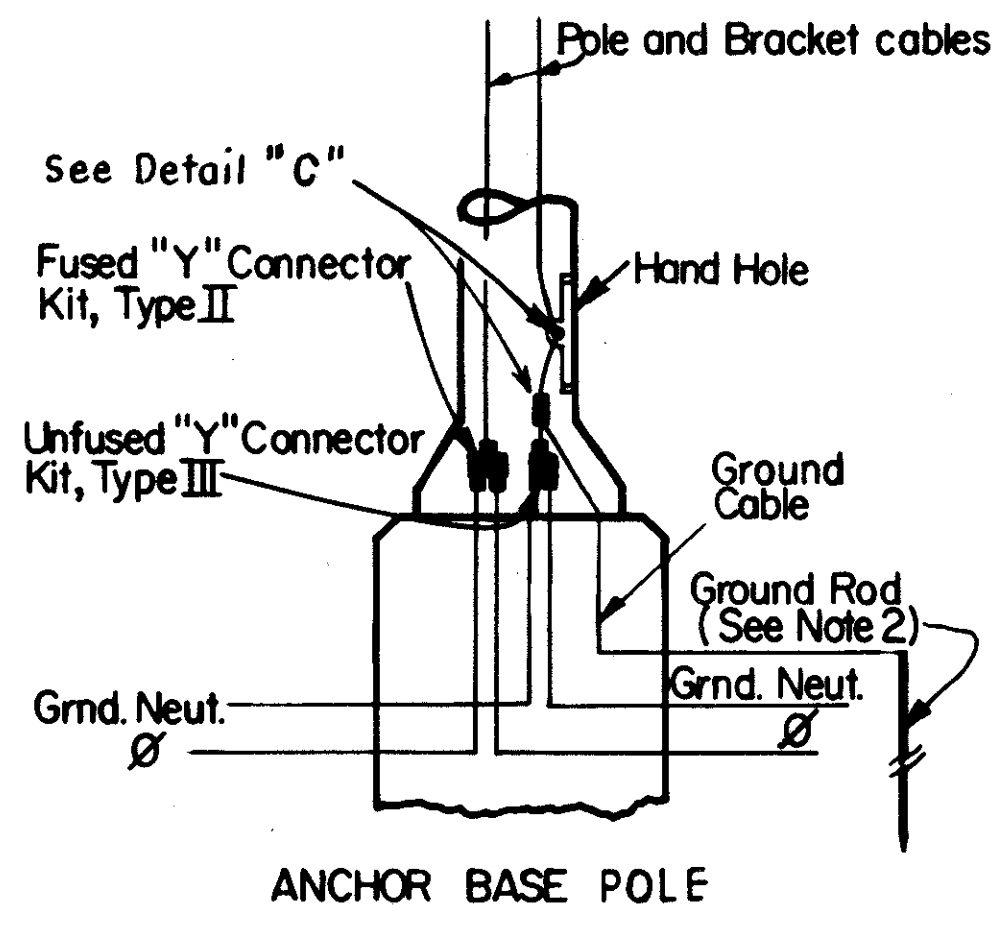
FED. RD. DIVISION	STATE	PROJECT
2	OHIO	

37
57

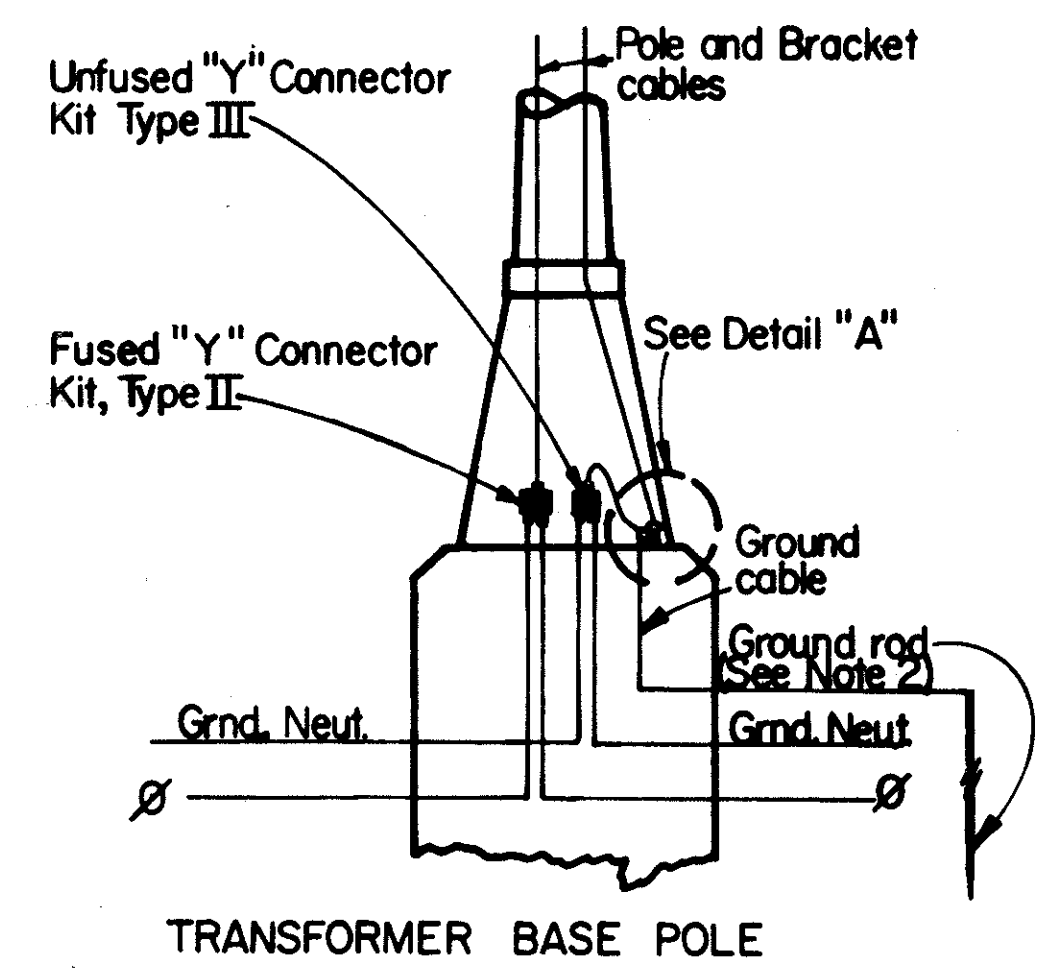
LAKE COUNTY
LAK-2-1.80

NOTES

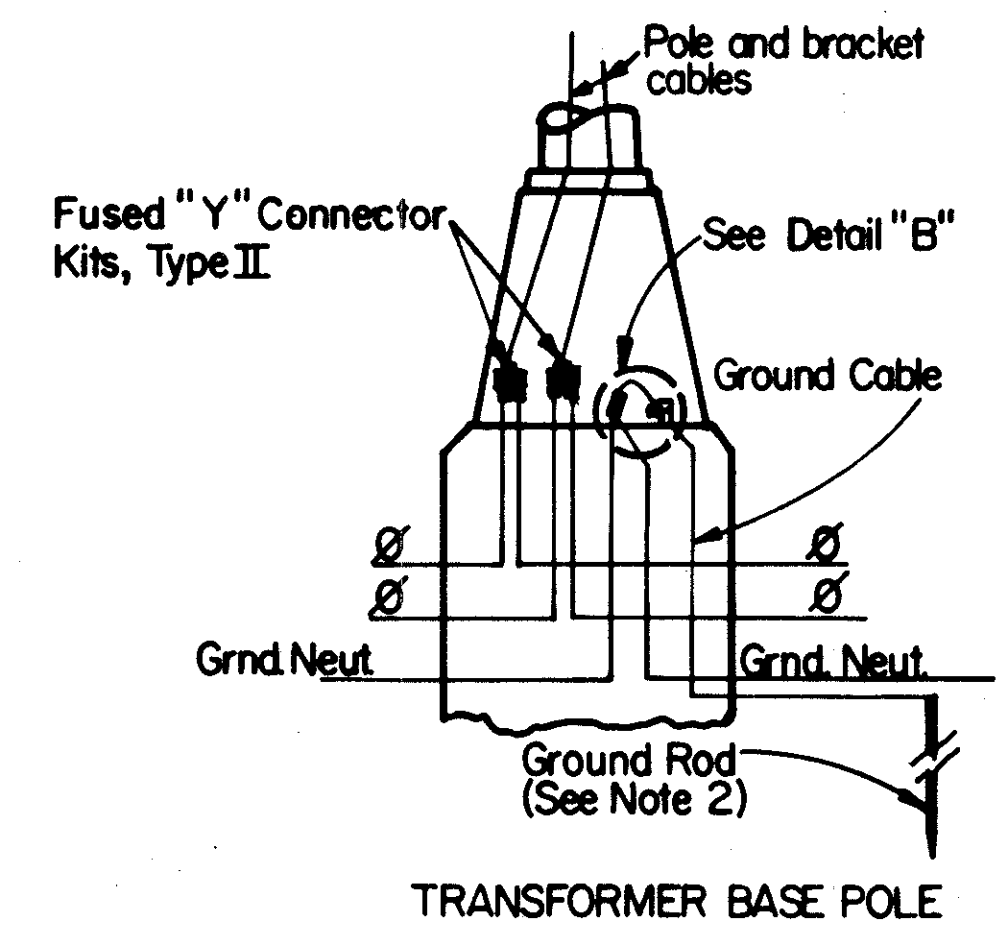
1. Provide sufficient slack in all cables to permit bringing Kits outside of pole base through handhole of anchor base poles or door in transformer base poles.
2. For structure-mounted poles substitute "Structure grounding system" for "ground rod."
3. See Drawing No.13 for fusing details.



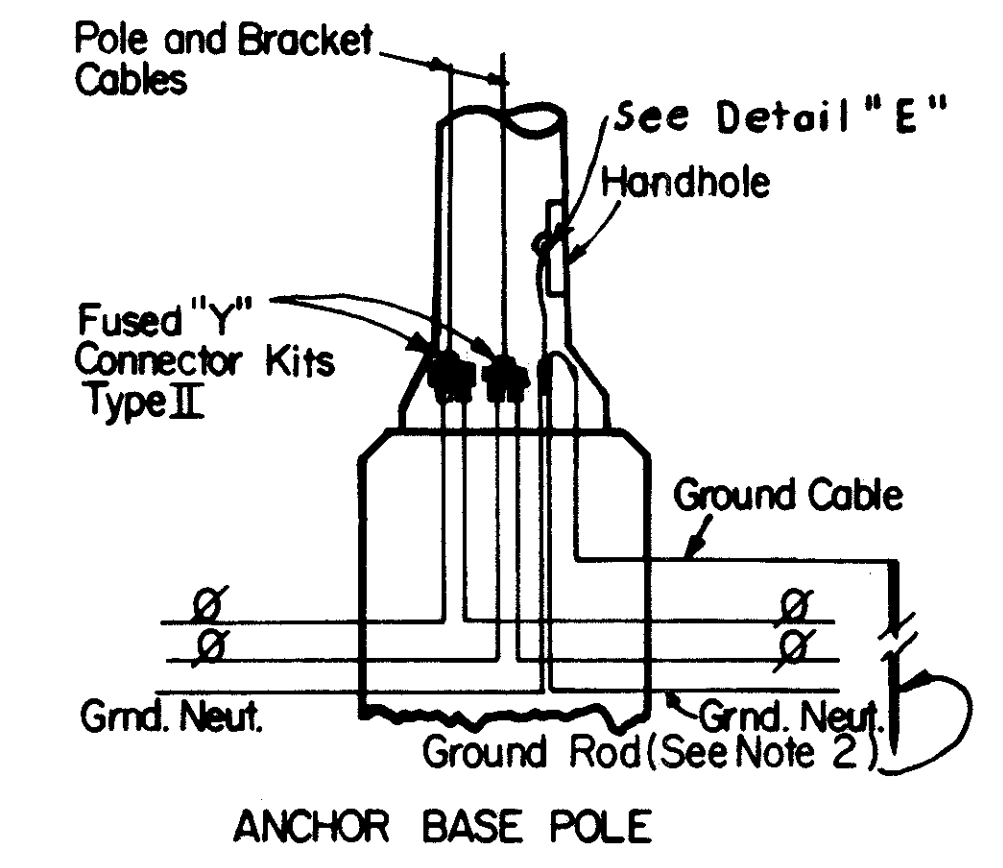
480 VOLT, TWO-WIRE, GROUNDED NEUTRAL



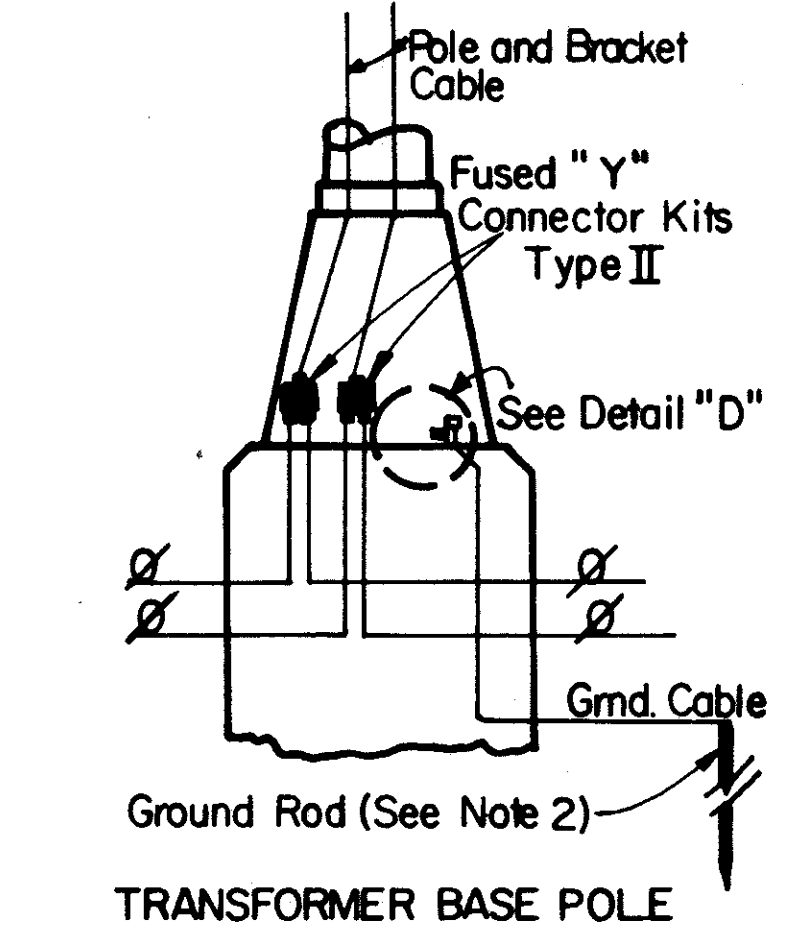
TRANSFORMER BASE POLE



TRANSFORMER BASE POLE

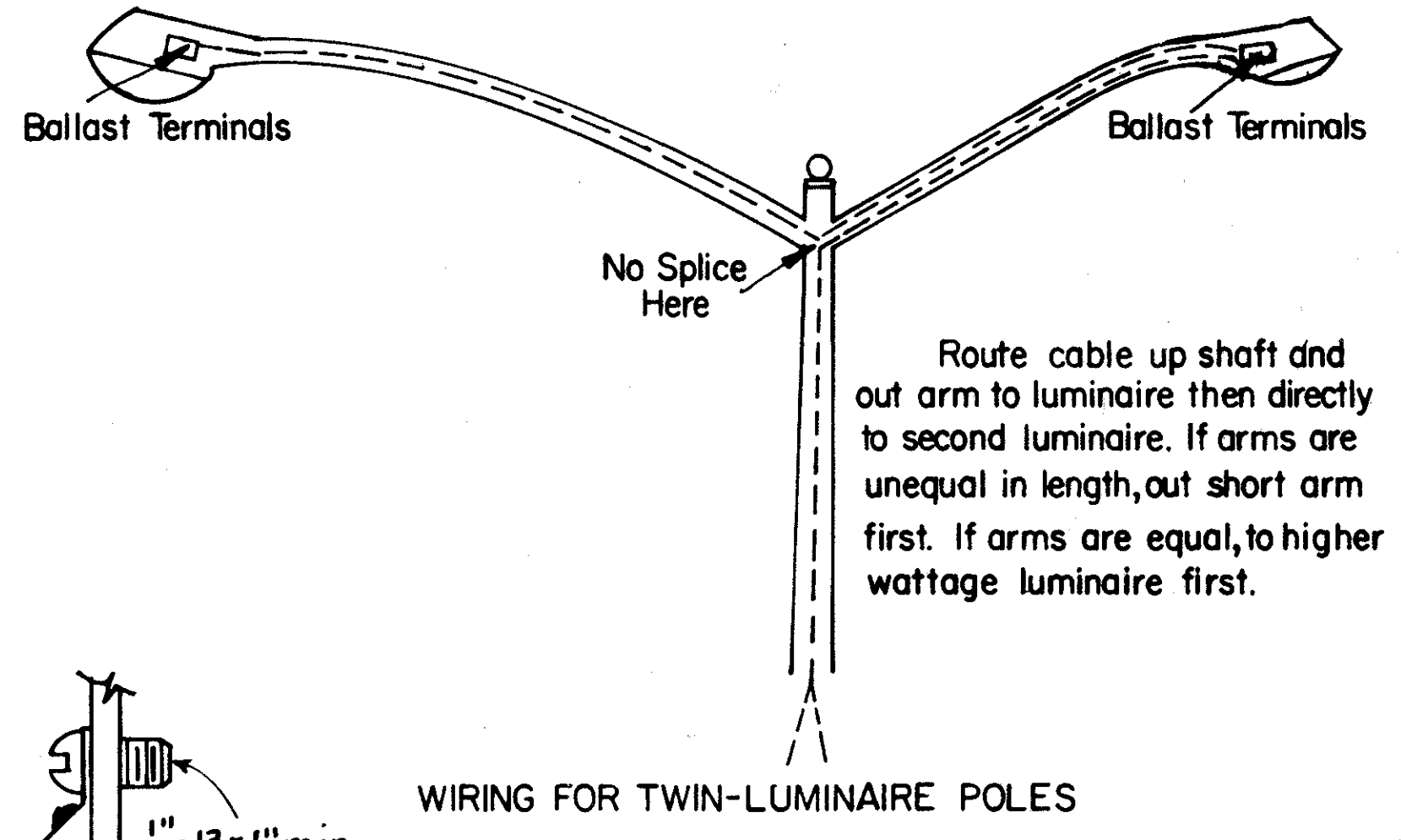
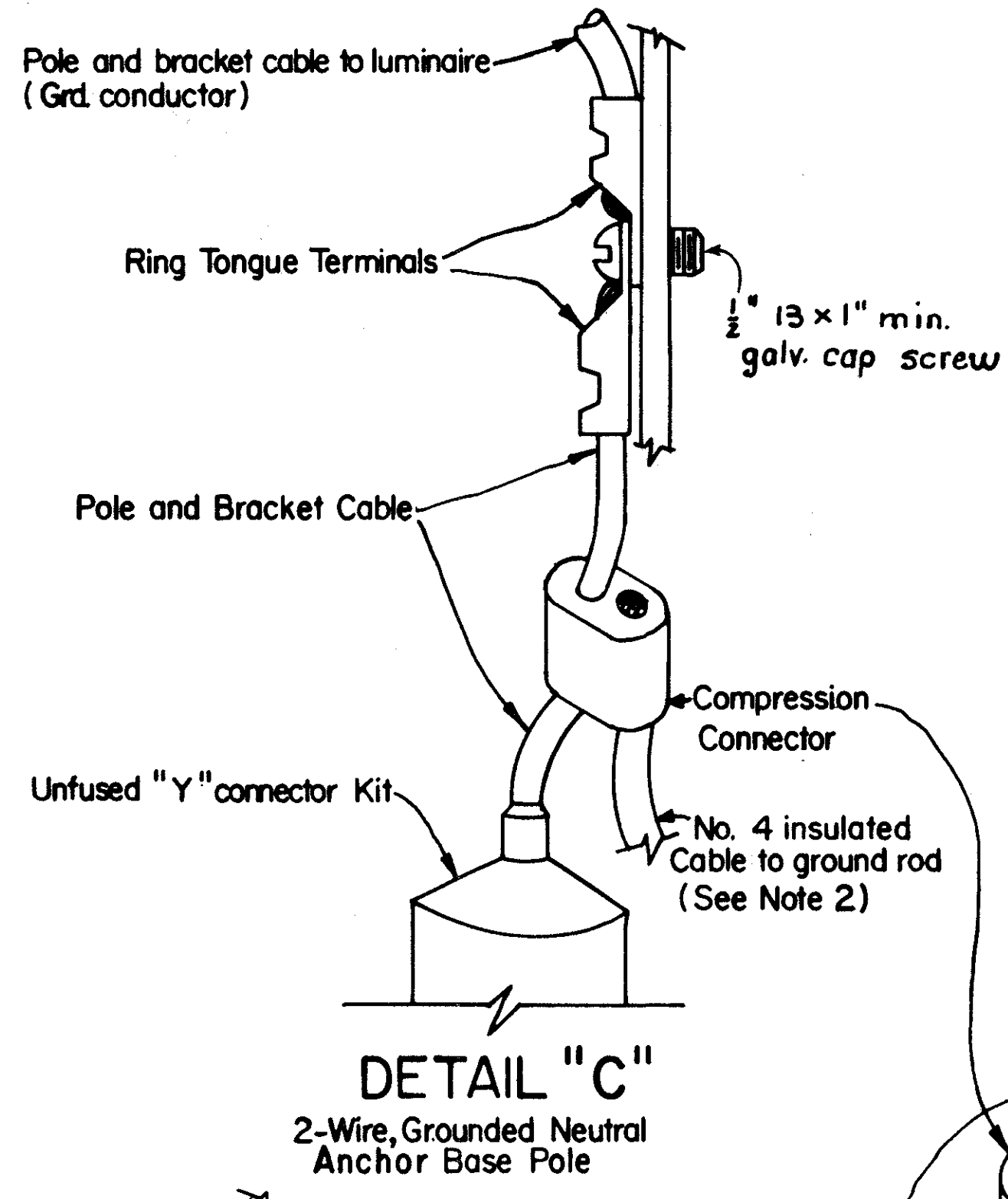
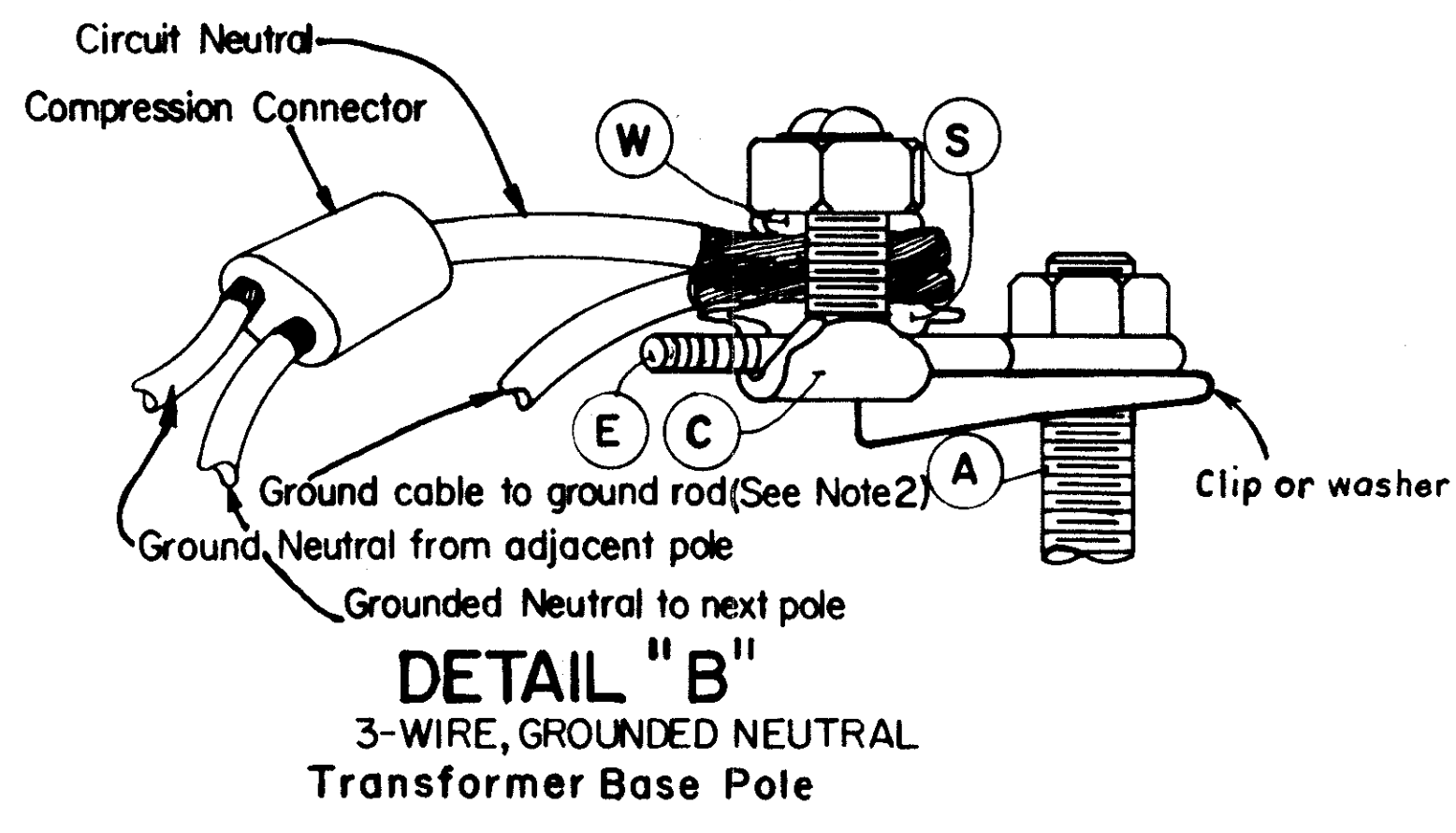
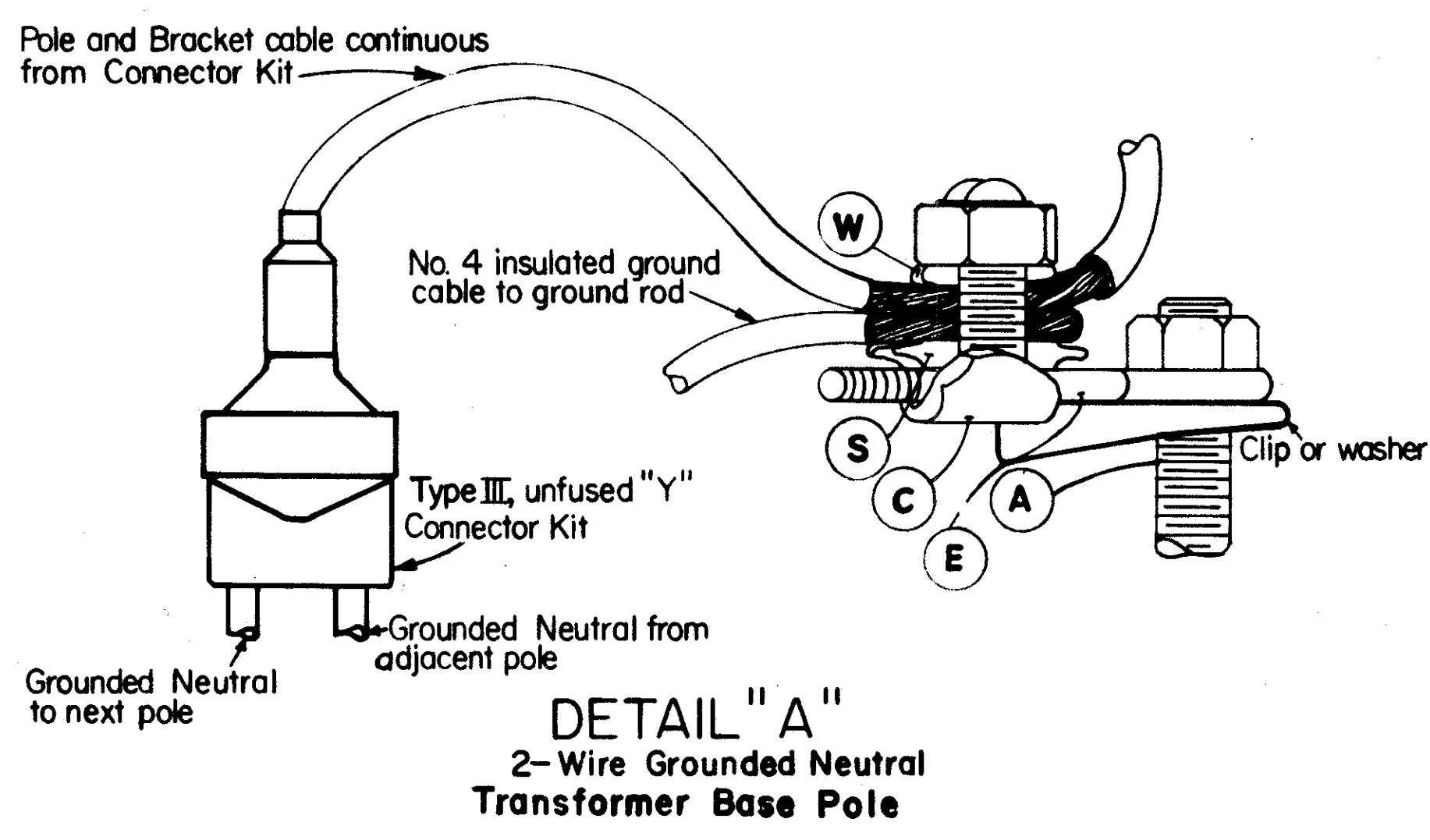


ANCHOR BASE POLE



TRANSFORMER BASE POLE

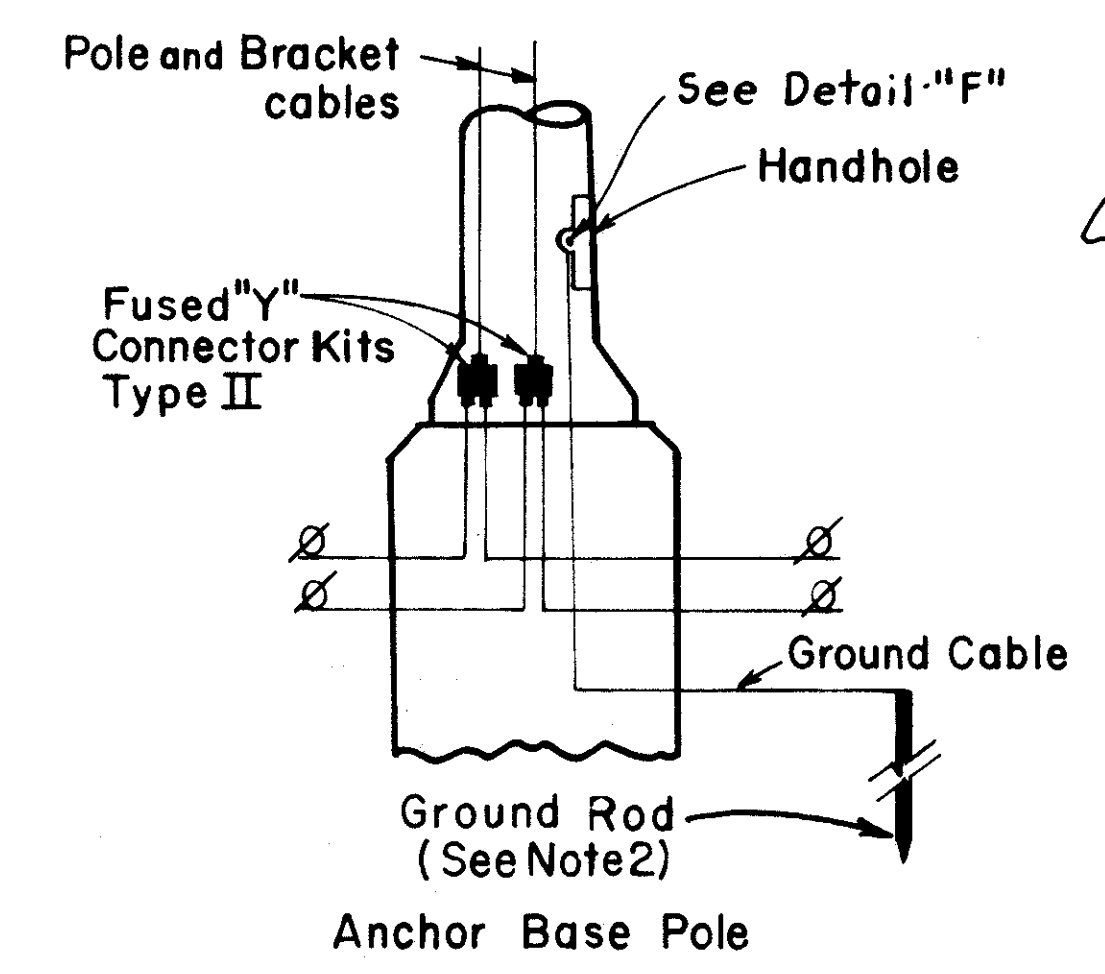
240 or 480 VOLTS, TWO-WIRE, UNGROUNDED



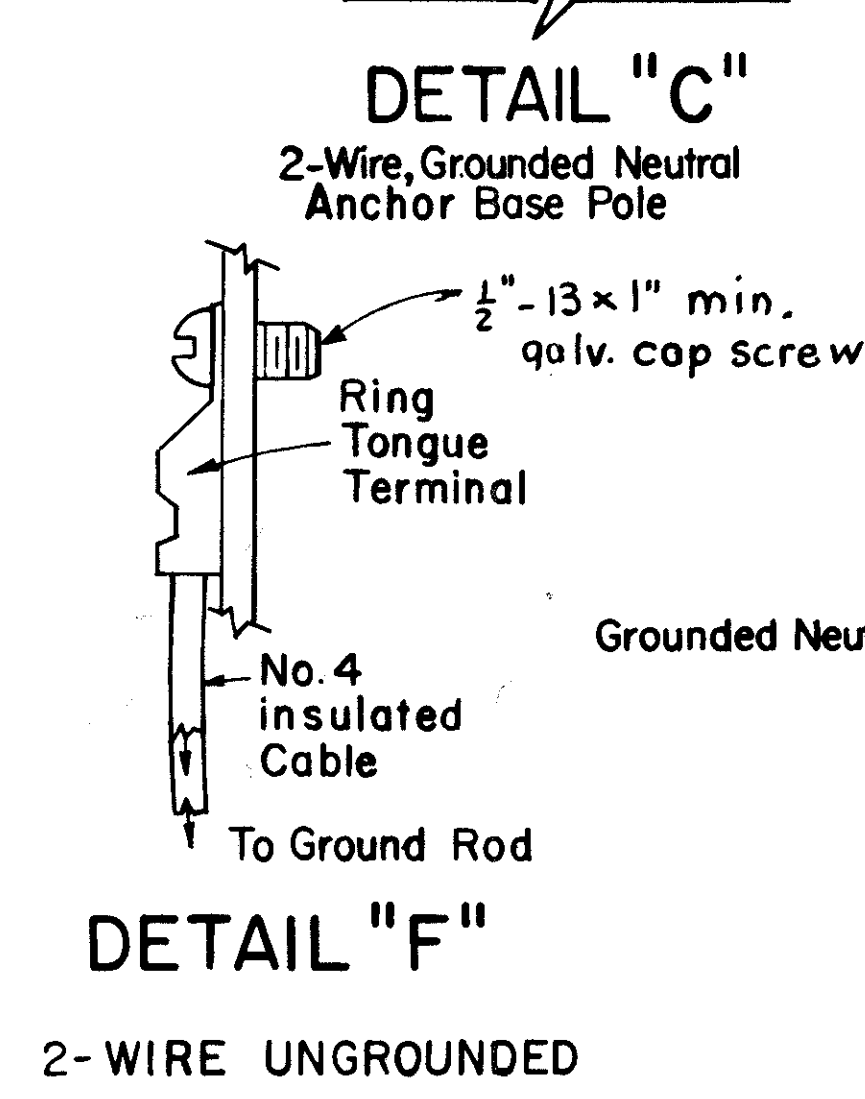
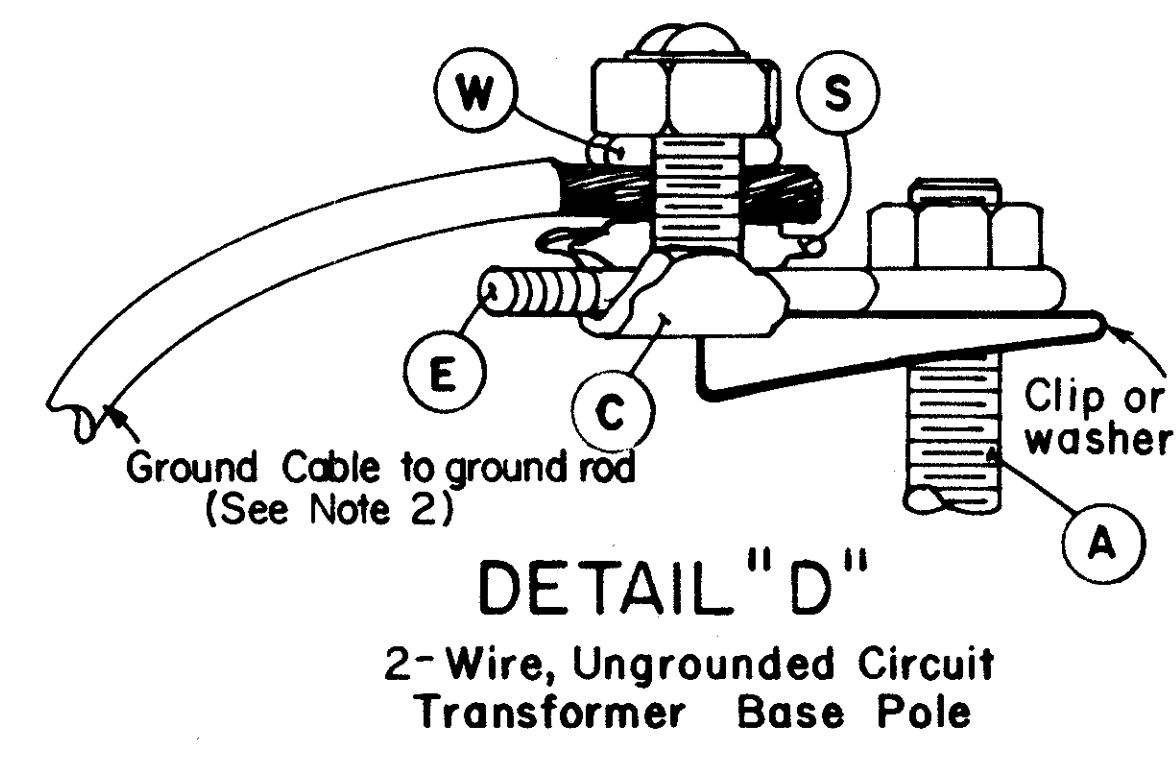
WIRING FOR TWIN-LUMINAIRE POLES

LEGEND of ITEMS COMMON to DETAILS "A", "B", & "D"

- (A) Anchor Bolt
- (C) Tin Plated Copper Split Bolt Connector with the following components:
 - (S) Spacer (Tin plated)
 - (W) Washer
 - (E) 3/8" X 4" Galv. Steel eyebolt



240 or 480 VOLTS, TWO-WIRE, UNGROUNDED



DETAIL "E" 3-Wire, Grounded Neutral Anchor Base Pole

DETAIL "F" 2-WIRE UNGROUNDED

AB-D-GB