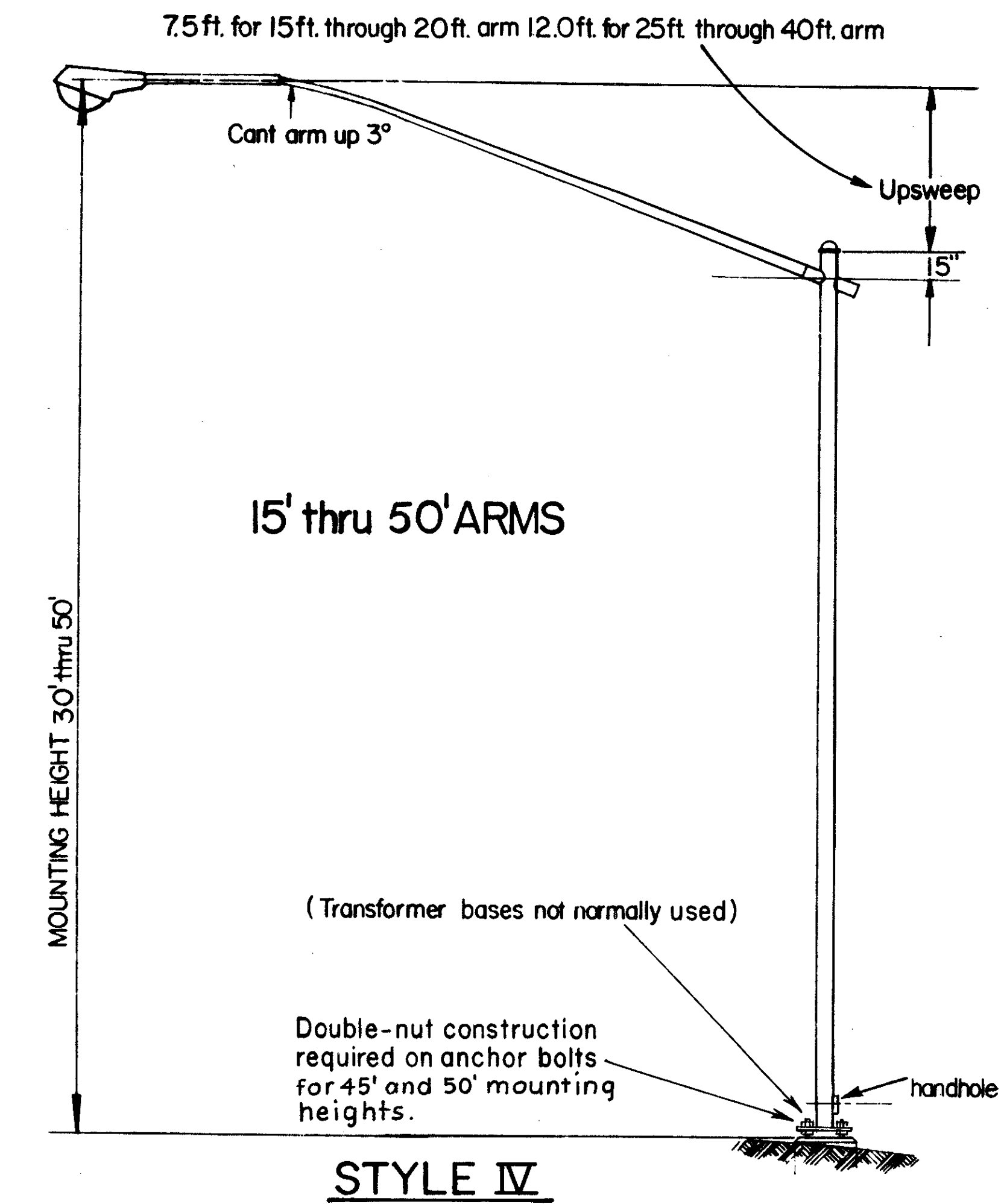
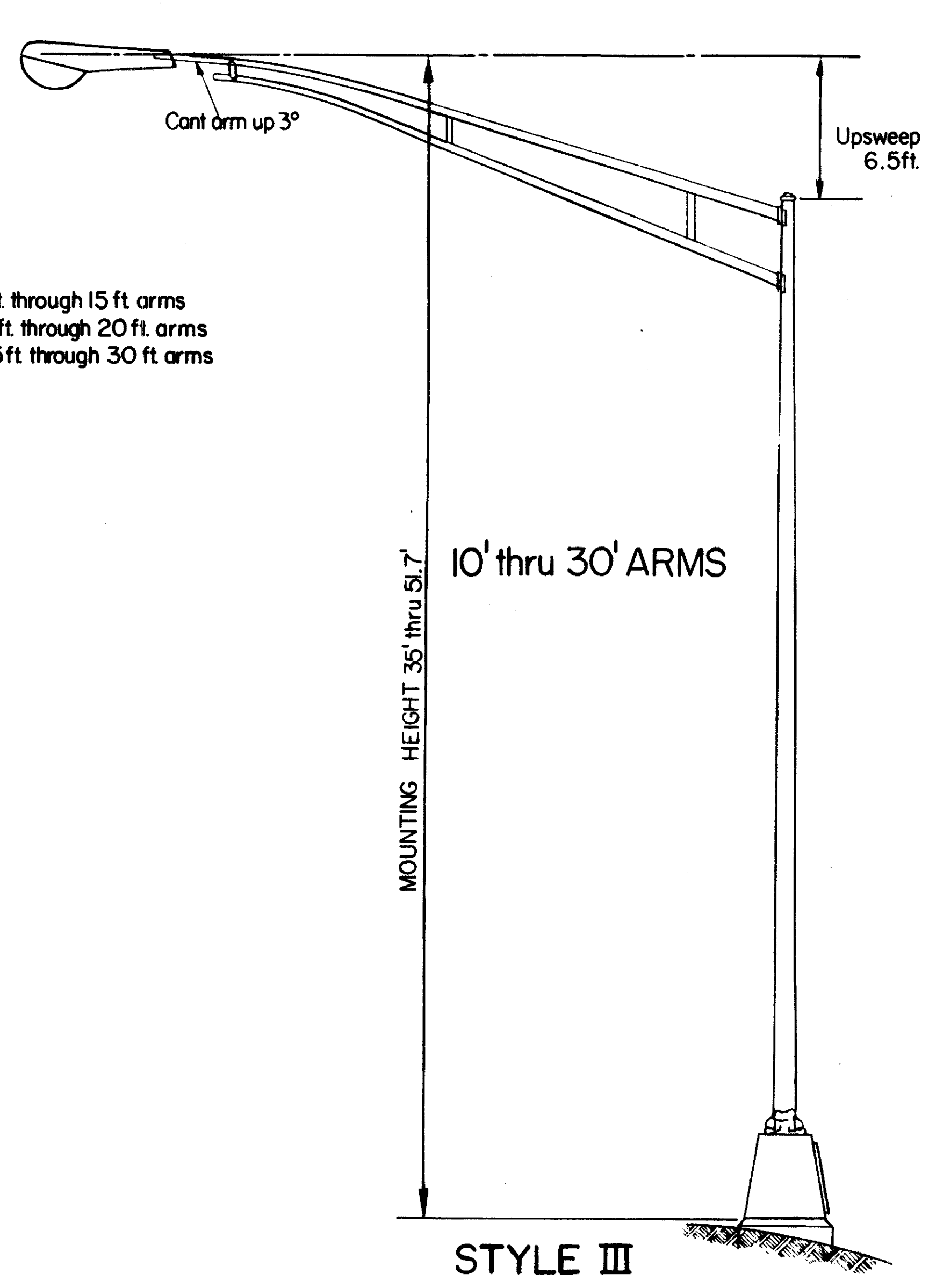
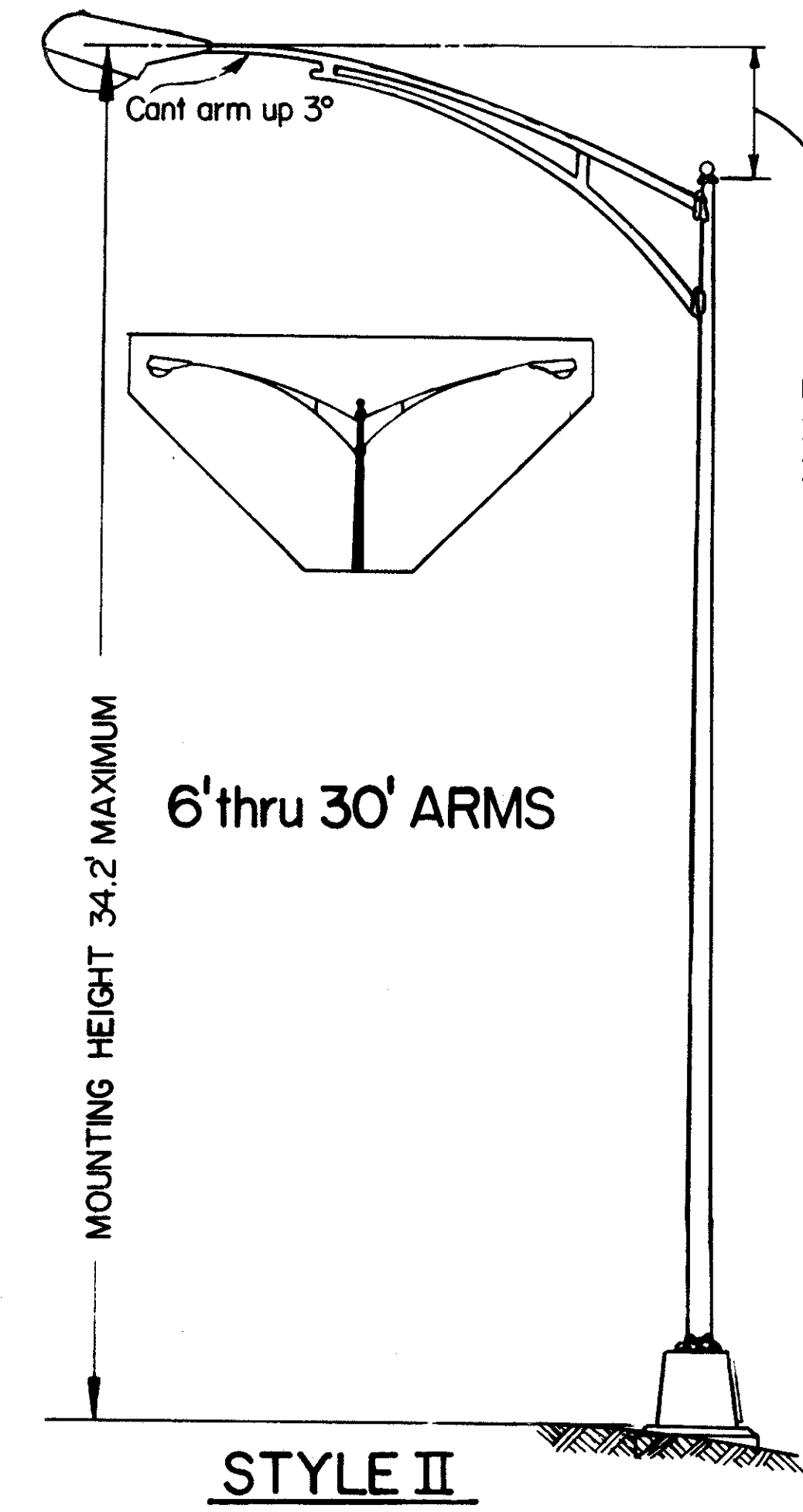
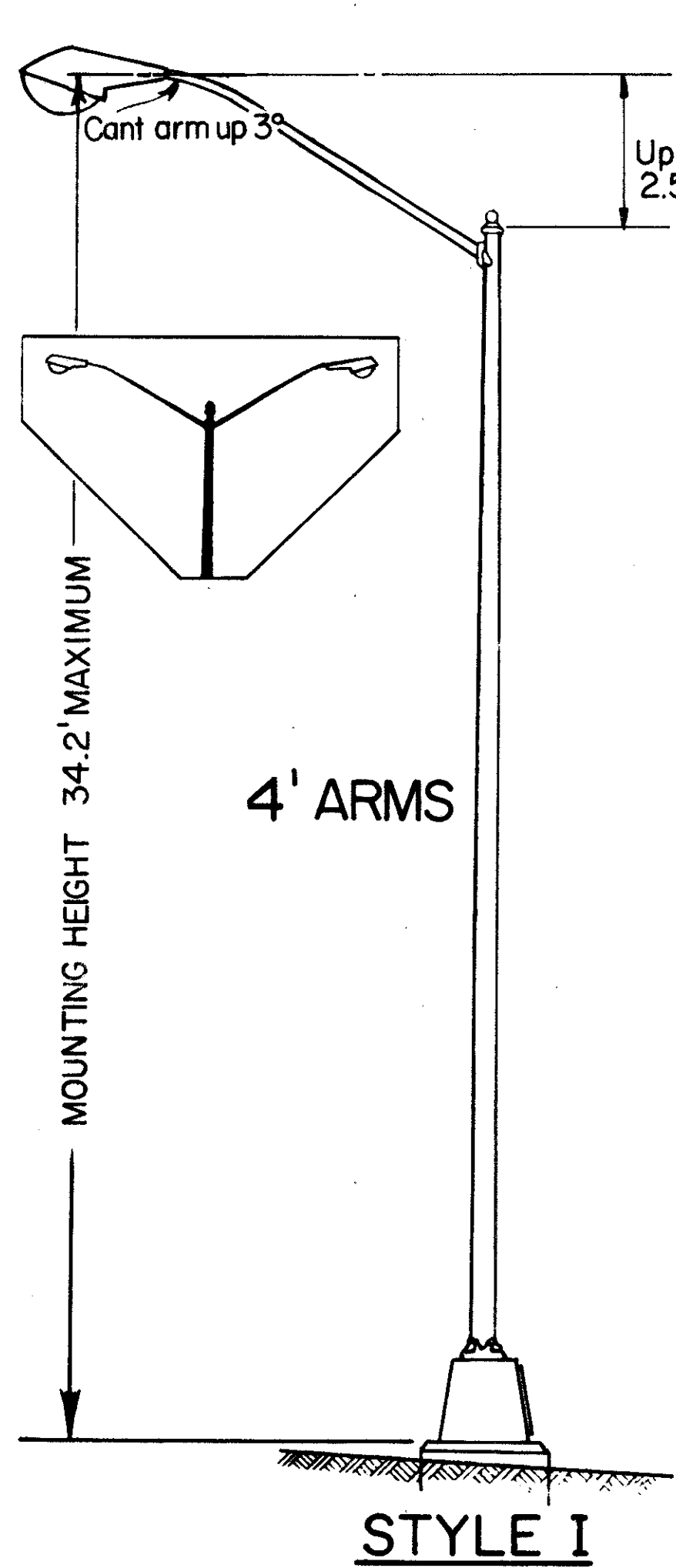


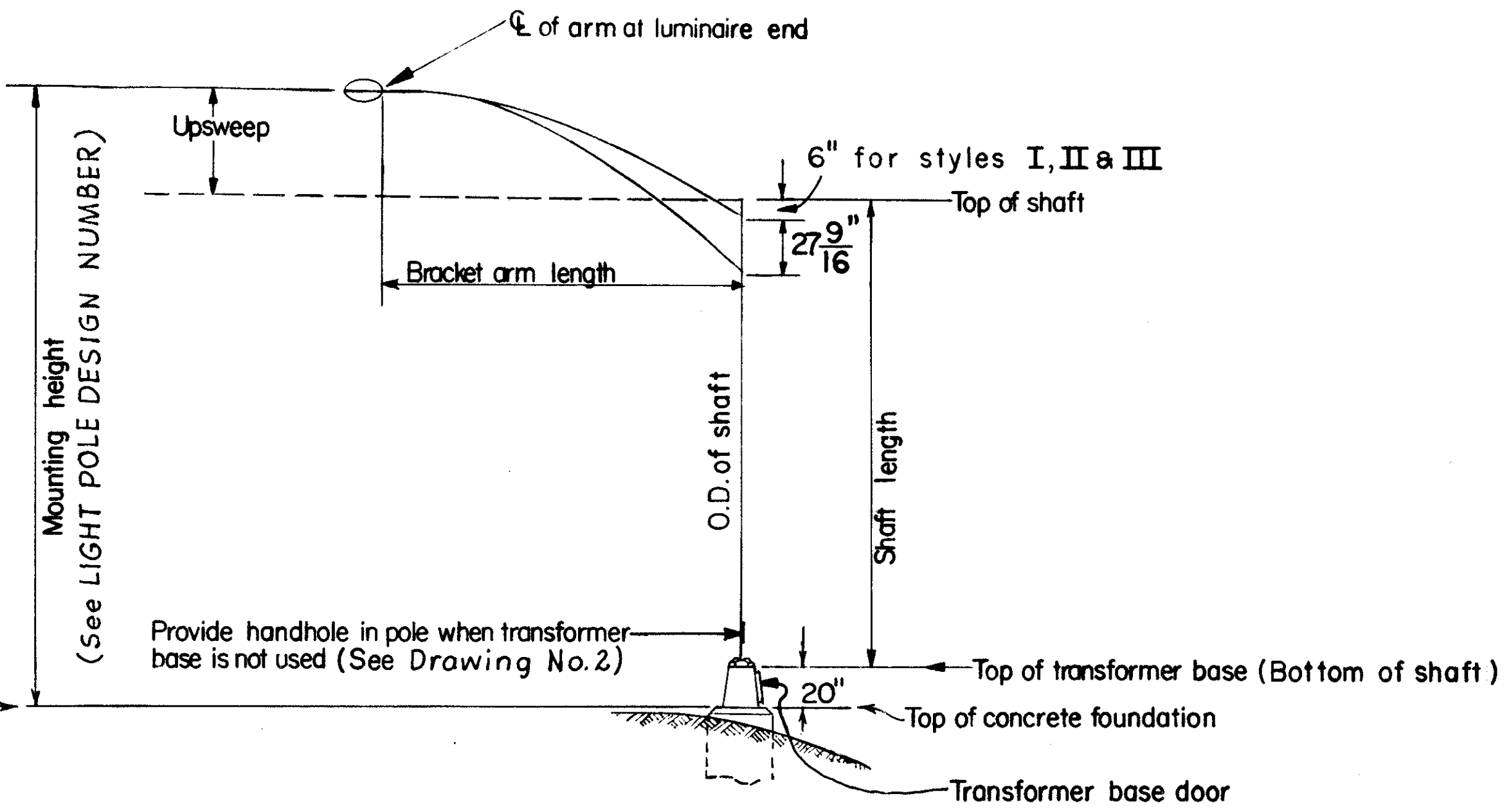
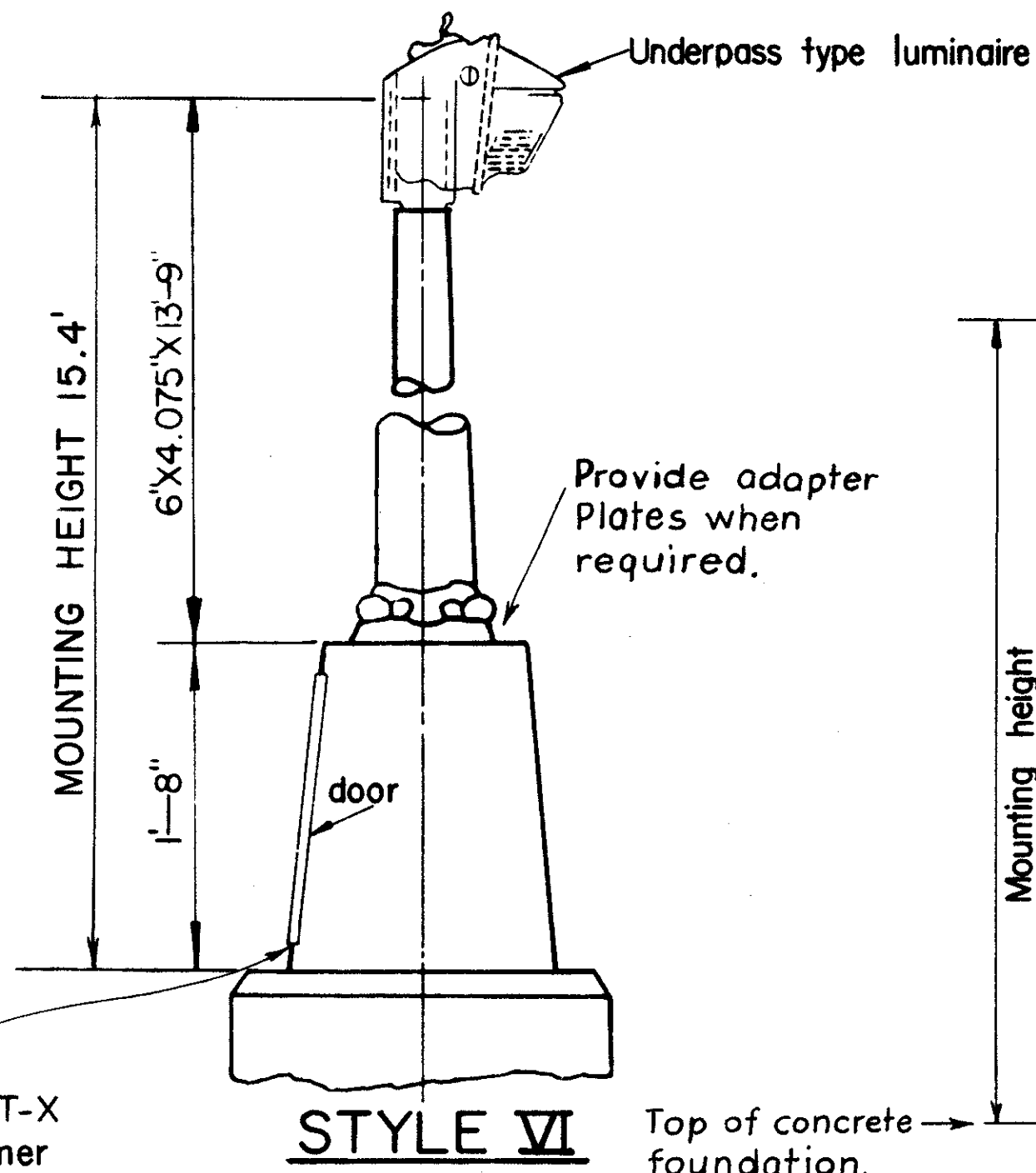
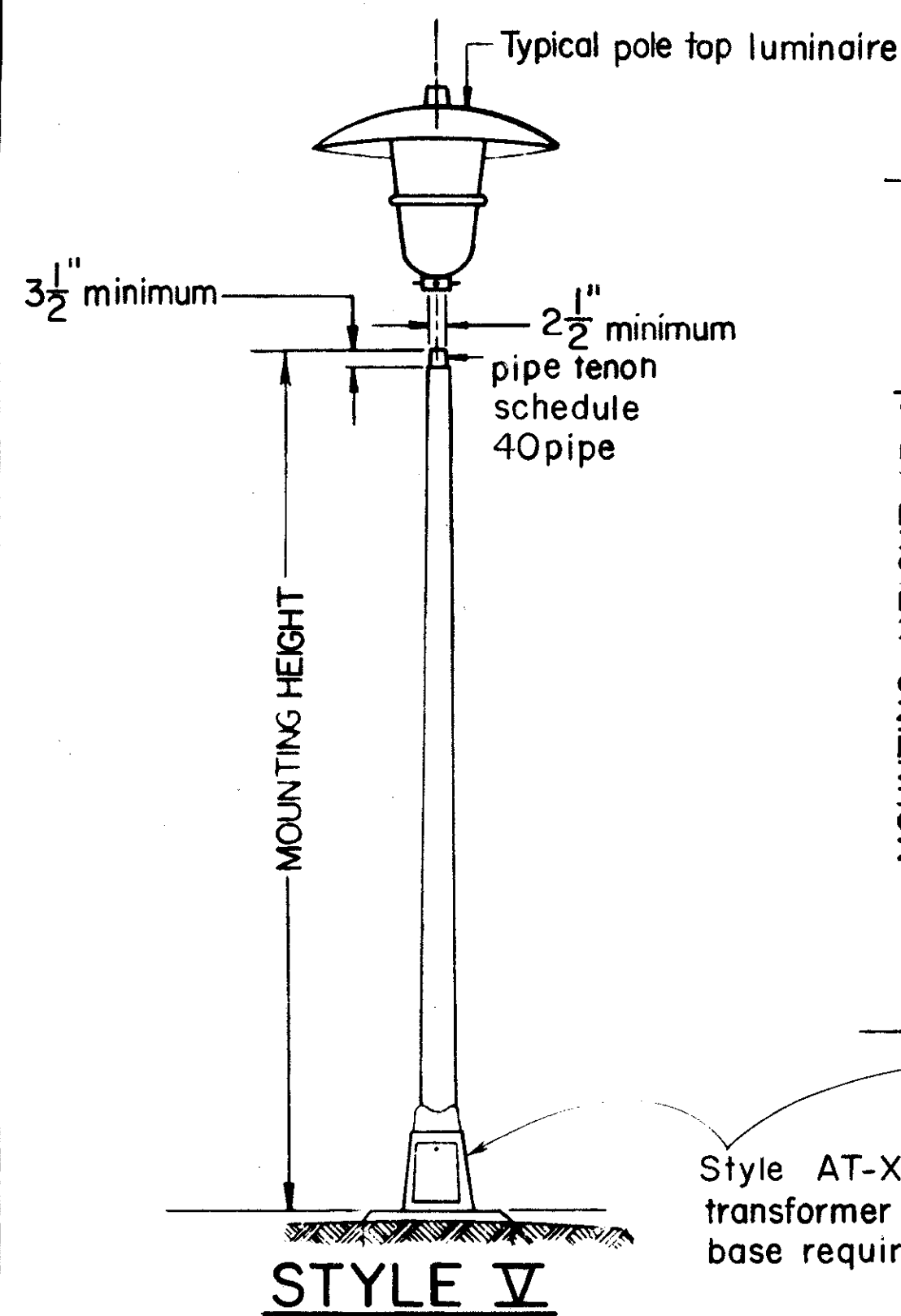
# LIGHT POLE STYLES

FED. RD. DIVISION	STATE	PROJECT
2	OHIO	

LAKE COUNTY  
LAK-2-1.80



NOTE: Subject to the approval of the Engineer, modification of the ratio of bracket upsweep to arm length is permissible provided the basic pole proportions are maintained as shown.



Base type: A= Anchor  
AT= Aluminum Transformer  
ST= Steel Transformer  
T= Steel or Aluminum Transformer

"B" = Single arm  
"BB" = Double arm  
(If unequal arms  
EX. 10B15B)  
"ON" = Post top

Arm Length. (The distance from top of foundation, retaining wall or bridge parapet to the center of the bracket arm at the luminaire end.)

**LIGHT POLE DESIGN NUMBER**

AB-D-GB